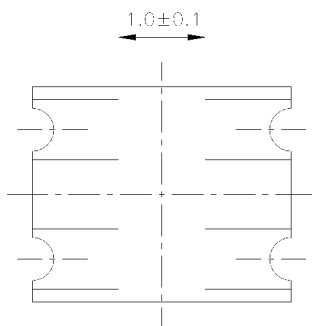
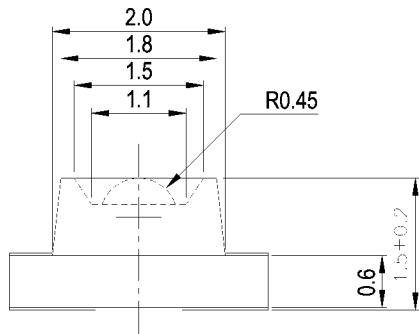
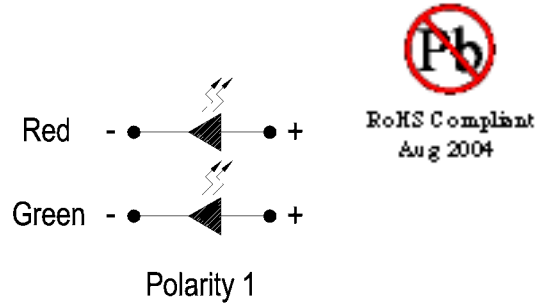
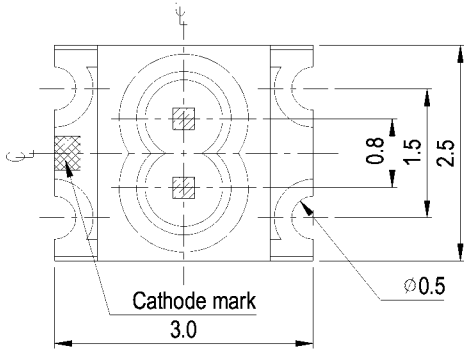


# ISRVGC0118

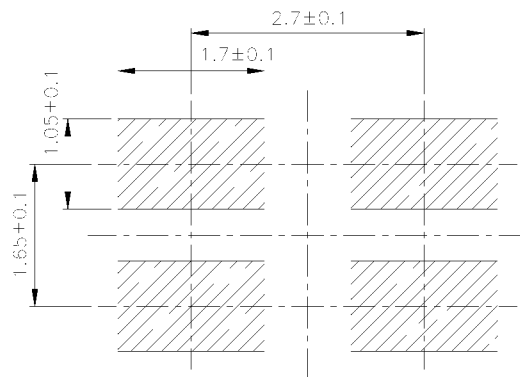
Page 1 of 2



These lamps are miniature chip type designed for surface mounting and measure approximately 2.5 x 3 mm.



For reflow soldering (propose)



PART NO.	Chip		Lens Color
	Material	Emitted Color	
ISRVGC0118	GaAlAs	SuperRed	Water Clear
	GaP	Green	

\* Specifications subject to change without notice. Dimensions are in mm±0.1 unless stated otherwise.

IDEA, Inc., 1351 Titan Way, Brea, CA 92821 Ph:714-525-3302, 800-LED-IDEA; Fax: 714-525-3304 0507

**Absolute Maximum Ratings at  $T_a = 25\text{ }^\circ\text{C}$** 

Parameter	Symbol	Rating	Units
Forward Current	$I_F$	SR 40	mA
		VG 30	
Operating Temperature	$T_{opr}$	-40 to +85	$^\circ\text{C}$
Storage Temperature	$T_{stg}$	-40 to +90	$^\circ\text{C}$
Soldering Temperature	$T_{sol}$	260 (for 5 seconds)	$^\circ\text{C}$
Power Dissipation	$P_d$	SR 110	mW
		VG 100	
Peak Forward Current (Duty 1/10 @ 1KHz)	$I_F$ (Peak)	SR 180	mA
		VG 160	
Reverse Voltage	$V_R$	5	V

**Electronic Optical Characteristics**

Parameter	Symbol	Min.	Typ.	Max.	Units	Condition
Luminous Intensity	$I_V$	SR 18	32	—	mcd	$I_F = 20\text{ mA}$
		VG 14	21	—		
Viewing Angle	$2\theta_{1/2}$	—	60	—	deg	$I_F = 20\text{ mA}$
Peak Wavelength	$\lambda_p$	SR —	660	—	nm	$I_F = 20\text{ mA}$
		VG —	570	—		
Dominant Wavelength	$\lambda_d$	SR —	643	—	nm	$I_F = 20\text{ mA}$
		VG —	571	—		
Spectrum Radiation Bandwidth	$\Delta\lambda$	SR —	20	—	nm	$I_F = 20\text{ mA}$
		VG —	30	—		
Forward Voltage	$V_F$	SR 1.5	1.7	2.4	V	$I_F = 20\text{ mA}$
		VG 1.7	2.1	2.4		
Reverse Current	$I_R$	—	—	10	$\mu\text{A}$	$V_R = 5\text{ V}$

\* Specifications subject to change without notice. Dimensions are in mm $\pm$ 0.1 unless stated otherwise.