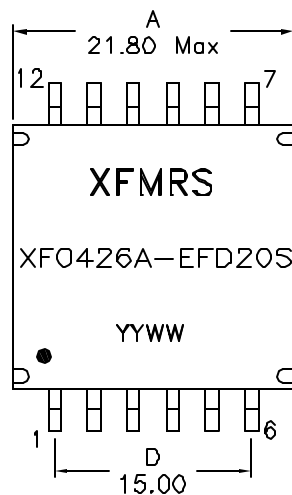
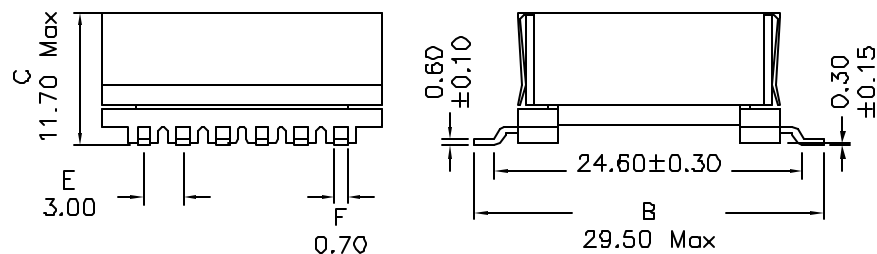
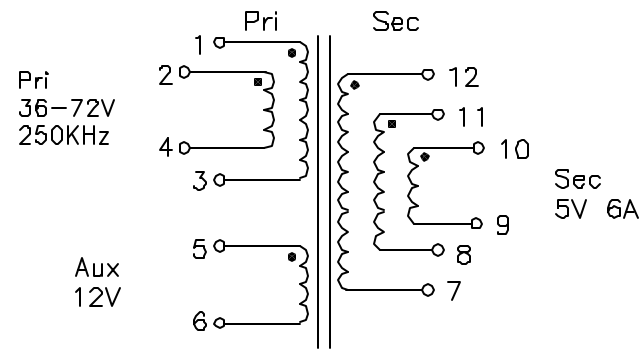


1. Mechanical Dimensions:



2. Schematic:



3. Electrical Specifications: @25°C

OCL: Pins 1,2-4,3 42uH±10% @250KHz, 0.7V

OCL: Pins 1,2-4,3 37.8uH Min @250KHz, 0.7V, 2.6Adc

LL: Pins 1,2-4,3 1.60uH Max @250KHz, 0.7V, Short Secs

DCR: Pins 1,2-4,3 0.069 Ohms Max

Pins 5-6 0.225 Ohms Max

Pins 12,11,10-7,8,9 0.005 Ohms Max

Turns Ratio: Pins (1,2-3,4):(12,11,10-7,8,9):(5-6)=
1.00:0.14:0.333

Isolation Voltage: 1500Vrms, Pri&Aux to Sec

Peak Primary Current: 2.6A

Notes:

1. Solderability: Leads shall meet MIL-STD-202G, Method 200H for solderability.
2. Flammability: UL94V-0
3. ASTM oxygen index > 28%
4. Insulation System: Class F 155°C. UL file E151556
5. Operating Temperature Range: All listed parameters are to be within tolerance from -40°C to +85°C
6. Storage Temperature Range: -55°C to +125°C
7. Aqueous wash compatible
8. SMD Lead Coplanarity: ±0.004*(0.102mm)
9. Electrical and mechanical specifications 100% tested
10. RoHS Compliant Component

DOC. REV A/1

PROPRIETARY

Document is the property of XFMRS Group & is not allowed to be duplicated without authorization.

XFMRS Inc www.XFMRS.com	Title: 30W POE Transformer		
	UNLESS OTHERWISE SPECIFIED TOLERANCES: .xx ±0.25 Dimensions in MM	P/N: XFO426A-EFD20S	REV. A
SHEET 1 OF 1	DWN.	Juan Mao	Feb-21-07
	CHK.	YK Liao	Feb-21-07
	APP.	BW	Feb-21-07