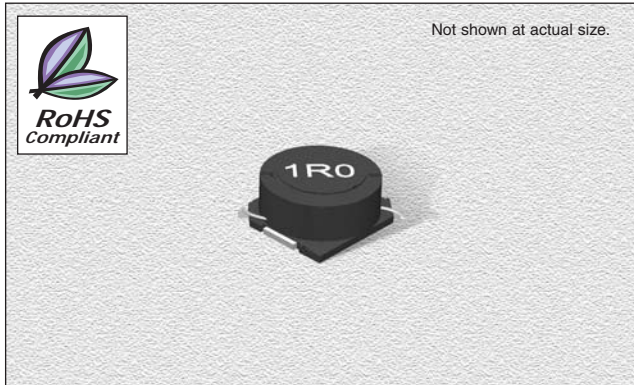


CT636CYF Series

From 1.0 μH to 1000 μH

SPECIFICATIONS

Parts are available in $\pm 20\%$ tolerance only.



CHARACTERISTICS

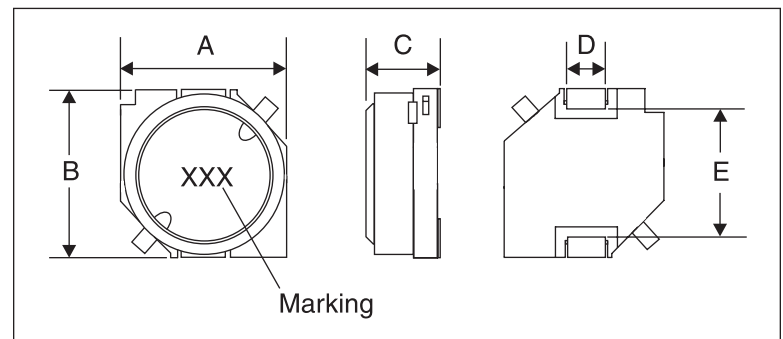
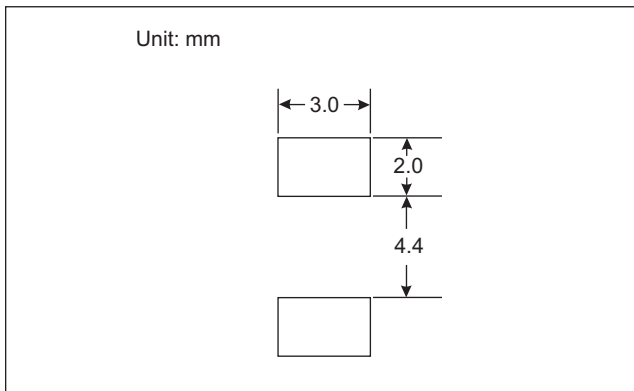
- Description:** SMD (shielded) power inductor
- Applications:** Ideal for a variety of DC/DC converter applications and low profile use
- Operating Temperature:** -30°C to $+100^{\circ}\text{C}$
- Inductance Tolerance:** $\pm 20\%$
- Testing:** Inductance is tested on an HP4285A at 100 kHz
- Packaging:** Tape & Reel
- Marking:** Parts are marked with inductance code
- Miscellaneous:** **RoHS Compliant.** Magnetically shielded
- Additional Information:** Additional electrical & physical information available upon request
- Samples available. See website for ordering information.**

| Part Number | Inductance (μH) | L Test Freq. (kHz) | DCR Max. (Ω) | Rated DC (A) |
|---------------|------------------------------|--------------------|-----------------------|--------------|
| CT636CYF-1R0M | 1.0 | 100 | 0.019 | 3.12 |
| CT636CYF-1R5M | 1.5 | 100 | 0.023 | 2.85 |
| CT636CYF-1R8M | 1.8 | 100 | 0.028 | 2.66 |
| CT636CYF-2R2M | 2.2 | 100 | 0.028 | 2.66 |
| CT636CYF-2R7M | 2.7 | 100 | 0.030 | 2.40 |
| CT636CYF-3R3M | 3.3 | 100 | 0.035 | 2.26 |
| CT636CYF-4R7M | 4.7 | 100 | 0.043 | 1.96 |
| CT636CYF-5R6M | 5.6 | 100 | 0.050 | 1.80 |
| CT636CYF-6R8M | 6.8 | 100 | 0.055 | 1.76 |
| CT636CYF-8R2M | 8.2 | 100 | 0.065 | 1.50 |
| CT636CYF-100M | 10 | 100 | 0.080 | 1.34 |
| CT636CYF-120M | 12 | 100 | 0.090 | 1.23 |
| CT636CYF-150M | 15 | 100 | 0.120 | 1.09 |
| CT636CYF-180M | 18 | 100 | 0.130 | 0.99 |
| CT636CYF-220M | 22 | 100 | 0.150 | 0.90 |
| CT636CYF-270M | 27 | 100 | 0.210 | 0.81 |
| CT636CYF-330M | 33 | 100 | 0.250 | 0.72 |
| CT636CYF-390M | 39 | 100 | 0.310 | 0.67 |
| CT636CYF-470M | 47 | 100 | 0.350 | 0.60 |
| CT636CYF-560M | 56 | 100 | 0.430 | 0.55 |
| CT636CYF-680M | 68 | 100 | 0.520 | 0.50 |
| CT636CYF-820M | 82 | 100 | 0.600 | 0.46 |
| CT636CYF-101M | 100 | 100 | 0.790 | 0.41 |
| CT636CYF-121M | 120 | 100 | 0.804 | 0.35 |
| CT636CYF-151M | 150 | 100 | 1.100 | 0.30 |
| CT636CYF-181M | 180 | 100 | 1.250 | 0.28 |
| CT636CYF-221M | 220 | 100 | 1.560 | 0.25 |
| CT636CYF-271M | 270 | 100 | 1.830 | 0.24 |
| CT636CYF-331M | 330 | 100 | 2.900 | 0.23 |
| CT636CYF-391M | 390 | 100 | 3.300 | 0.22 |
| CT636CYF-471M | 470 | 100 | 3.600 | 0.21 |
| CT636CYF-561M | 560 | 100 | 4.100 | 0.19 |
| CT636CYF-681M | 680 | 100 | 4.600 | 0.18 |
| CT636CYF-821M | 820 | 100 | 5.900 | 0.12 |
| CT636CYF-102M | 1000 | 100 | 7.020 | 0.10 |

PHYSICAL DIMENSIONS

| Size | A Max. | B Max. | C Max. | D | E Max. |
|--------|--------|--------|--------|------------------|--------|
| mm | 7.4 | 7.4 | 3.5 | 2.0 \pm 0.2 | 5.4 |
| inches | 0.29 | 0.29 | 0.14 | 0.08 \pm 0.008 | 0.213 |

PHYSICAL DIMENSIONS



07.30.08