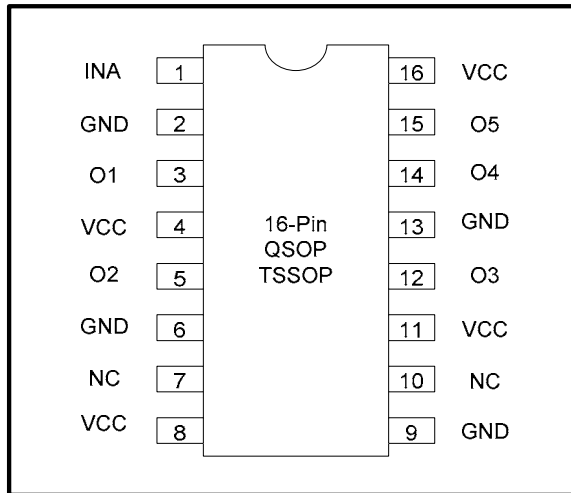


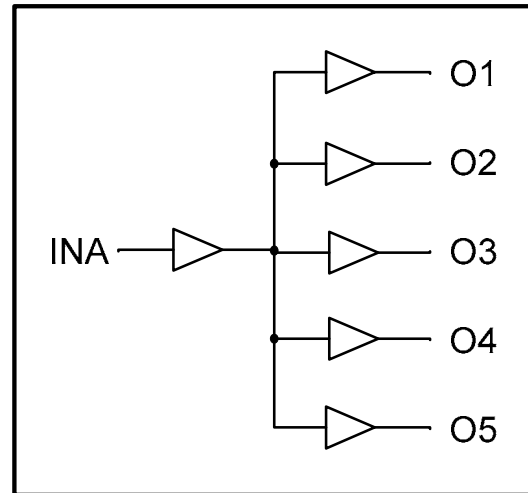
1GHz TTL/CMOS Potato Chip

FEATURES:	DESCRIPTION:
<ul style="list-style-type: none"> . Patented technology . Max input frequency > 1GHz . Operating frequency up to 1GHz with 2pf load . Operating frequency up to 700MHz with 5pf load . Operating frequency up to 250MHz with 15pf load . Very low output pin to pin skew < 100ps . Very low pulse skew < 150ps . VCC = 1.65V to 3.6V . Propagation delay < 1.9 ns max with 15pf load . Low input capacitance: 3pf typical . 1:5 fanout . Available in 16pin 150mil wide QSOP package . Available in 16pin 173mil wide TSSOP package 	<p>Potato Semiconductor's PO49FCT32802G is designed for world top performance using submicron CMOS technology to achieve 1GHz TTL output frequency with less than 100ps output skew.</p> <p>PO49FCT32802G is a 3.3V CMOS 1 input to 5 outputs Buffered driver with integrated series damping resistors on all outputs to match 50 ohm transmission line impedance. Typical applications are clock and signal distribution.</p>

Pin Configuration



Logic Block Diagram



Pin Description

Pin Name	Description
INA	Input
O1 to O5	Outputs

1GHz TTL/CMOS Potato Chip

Maximum Ratings

Description	Max	Unit
Storage Temperature	-65 to 150	°C
Operation Temperature	-40 to 85	°C
Operation Voltage	-0.5 to +4.6	V
Input Voltage	-0.5 to Vcc+0.5	V
Output Voltage	-0.5 to Vcc+0.5	V

Note:

stresses greater than listed under Maximum Ratings may cause permanent damage to the device. This is a stress rating only and functional operation of the device at these or any other conditions above those indicated in the operational sections of this specification is not implied. Exposure to absolute maximum rating conditions for extended periods may affect reliability specification is not implied.

DC Electrical Characteristics

Symbol	Description	Test Conditions	Min	Typ	Max	Unit
VOH	Output High voltage	Vcc=3V Vin=VIH or VIL, IOH= -8mA	2.4	3	-	V
VOL	Output Low voltage	Vcc=3V Vin=VIH or VIL, IOH=12mA	-	0.4	0.5	V
VIH	Input High voltage	Guaranteed Logic HIGH Level (Input Pin)	2	-	Vcc	V
VIL	Input Low voltage	Guaranteed Logic LOW Level (Input Pin)	-0.5	-	0.8	V
IiH	Input High current	Vcc = 3.6V and Vin = 3.6V	-	-	1	uA
IiL	Input Low current	Vcc = 3.6V and Vin = 0V	-	-	-1	uA
VIK	Clamp diode voltage	Vcc = Min. And IIN = -18mA	-	-0.7	-1.2	V
Rs	Series Resistor			22		Ω

Notes:

1. For conditions shown as Max. or Min., use appropriate value specified under Electrical Characteristics for the applicable device type.
2. Typical values are at Vcc = 3.3V, 25 °C ambient.
3. This parameter is guaranteed but not tested.
4. Not more than one output should be shorted at one time. Duration of the test should not exceed one second.
5. VoH = Vcc – 0.6V at rated current

1GHz TTL/CMOS Potato Chip

Power Supply Characteristics

Symbol	Description	Test Conditions (1)	Min	Typ	Max	Unit
IccQ	Quiescent Power Supply Current	Vcc=Max, Vin=Vcc or GND	-	0.1	30	uA
ΔIcc	Power Supply Current per Input High	Vcc=Max, Vin= Vcc-0.6V	-	50	300	uA

Notes:

1. For conditions shown as Max. or Min., use appropriate value specified under Electrical Characteristics for the applicable device type.
2. Typical values are at Vcc = 3.3V, 25°C ambient.
3. This parameter is guaranteed but not tested.
4. Not more than one output should be shorted at one time. Duration of the test should not exceed one second.
5. VoH = Vcc – 0.6V at rated current

Capacitance

Parameters (1)	Description	Test Conditions	Typ	Max	Unit
Cin	Input Capacitance	Vin = 0V	3	4	pF
Cout	Output Capacitance	Vout = 0V	-	6	pF

Notes:

- 1 This parameter is determined by device characterization but not production tested.

Switching Characteristics

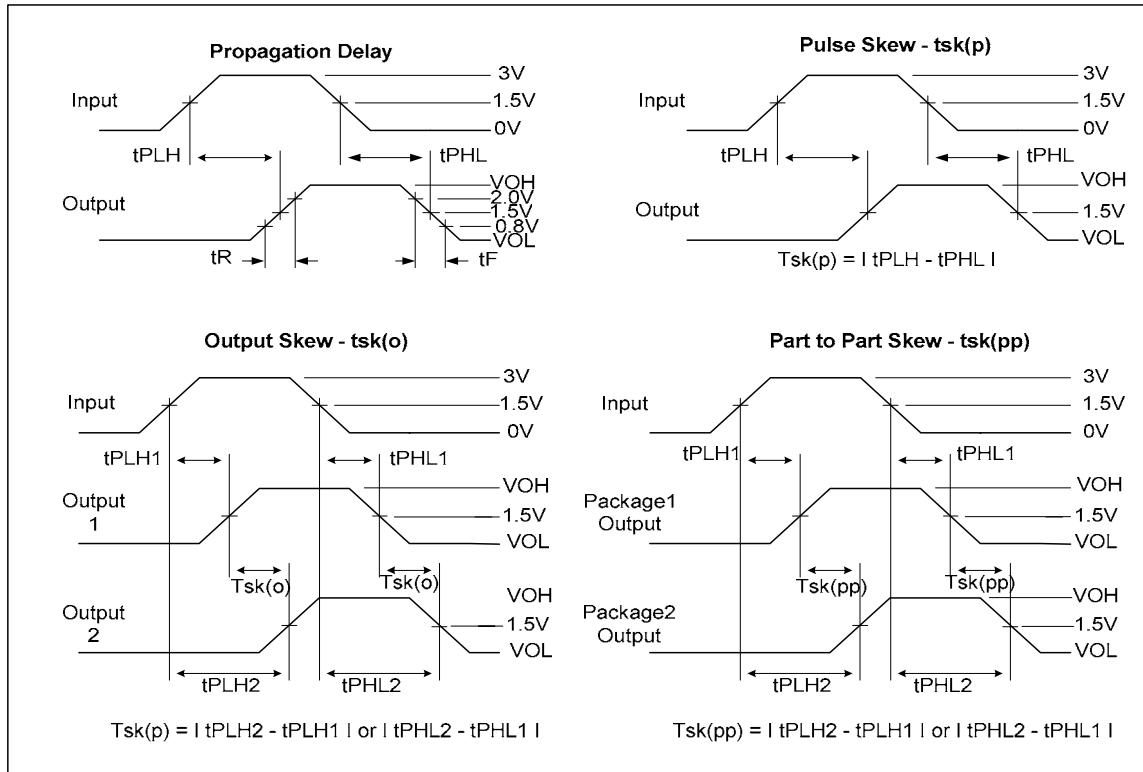
Symbol	Description	Test Conditions (1)	Max	Unit
tPLH	Propagation Delay A to Bn	CL = 15pF	1.9	ns
tPHL	Propagation Delay A to Bn	CL = 15pF	1.9	ns
tr/tf	Rise/Fall Time	0.8V – 2.0V	1	ns
tsk(p)	Pulse Skew (Same Package)	CL = 15pF, 125MHz	0.15	ns
tsk(o)	Output Pin to Pin Skew (Same Package)	CL = 15pF, 125MHz	0.1	ns
tsk(pp)	Output Skew (Different Package)	CL = 15pF, 125MHz	0.4	ns
fmax	Input Frequency	CL = 50pF	100	MHz
fmax	Input Frequency	CL = 15pF	250	MHz
fmax	Input Frequency	CL = 5pF	700	MHz
fmax	Input Frequency	CL = 2pF	1000	MHz

Notes:

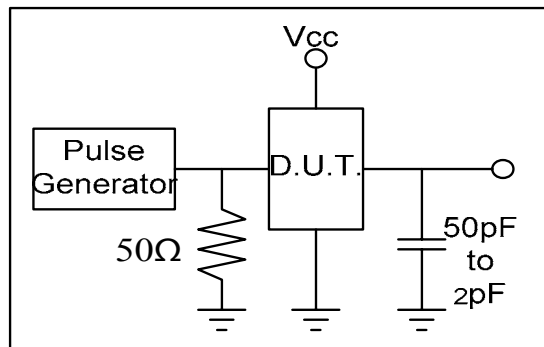
1. See test circuits and waveforms.
2. tPLH, tPHL, tsk(p), and tsk(o) are production tested. All other parameters guaranteed but not production tested.
3. Airflow of 1m/s is recommended for frequencies above 133MHz

1GHz TTL/CMOS Potato Chip

Test Waveforms

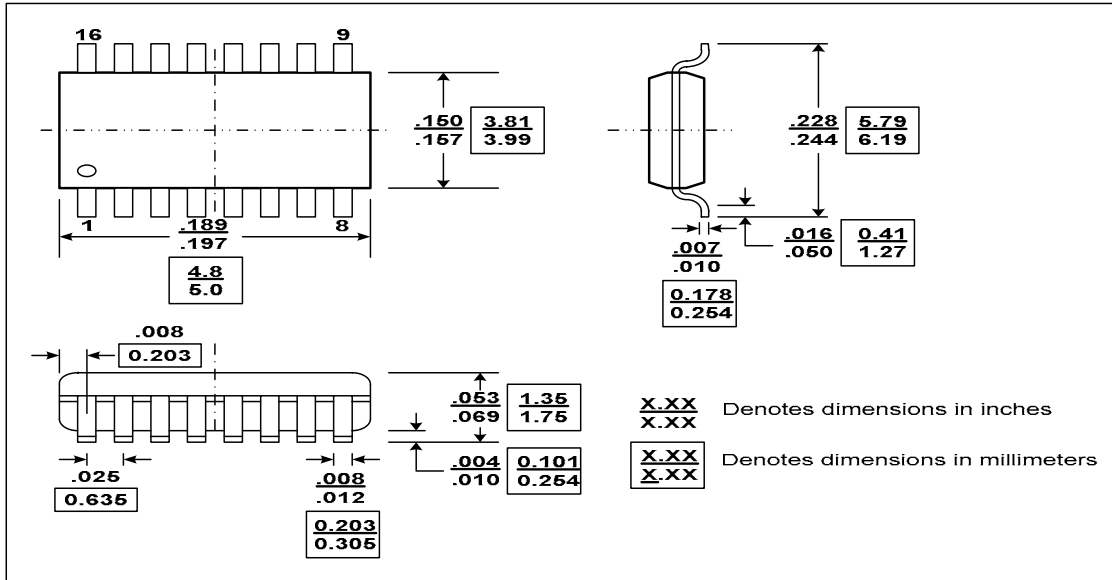


Test Circuit

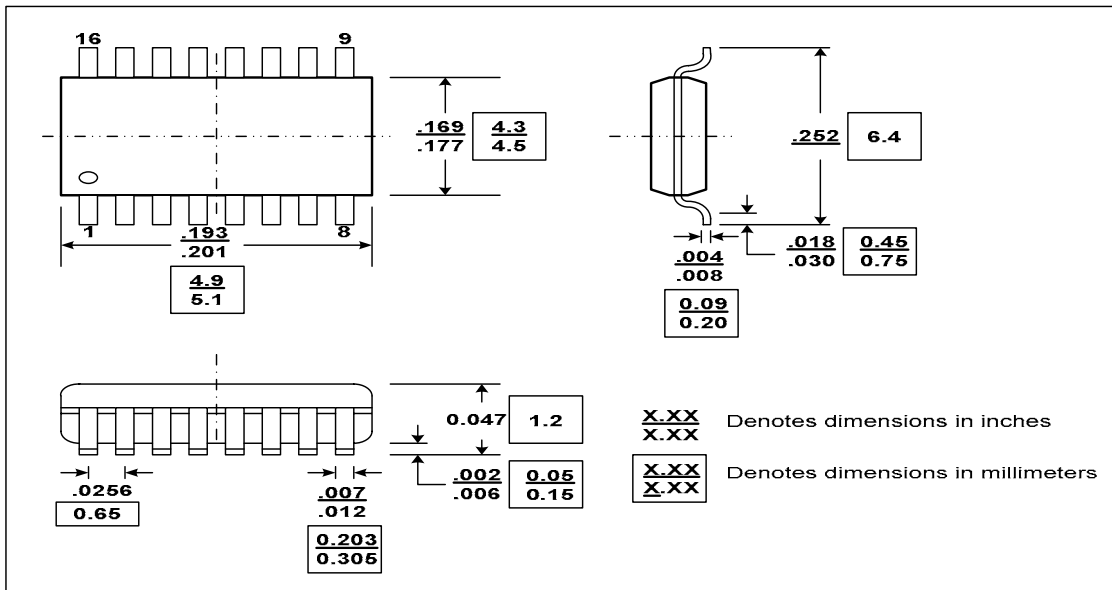


1GHz TTL/CMOS Potato Chip

Packaging Mechanical Drawing: 16 pin QSOP



Packaging Mechanical Drawing: 16 pin TSSOP



1GHz TTL/CMOS Potato Chip

Ordering Information

Ordering Code	Package Code	Package Description
PO49FCT32802T	T	Pb-free & Green, 16-pin TSSOP
PO49FCT32802Q	Q	Pb-free & Green, 16-pin QSOP