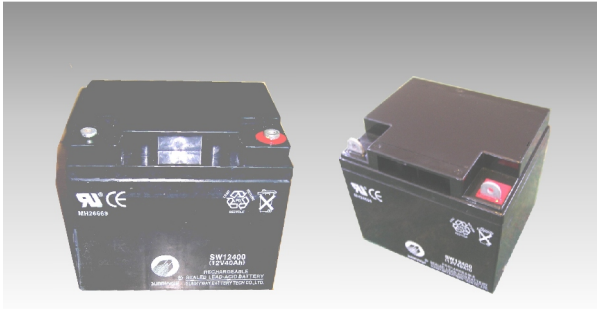




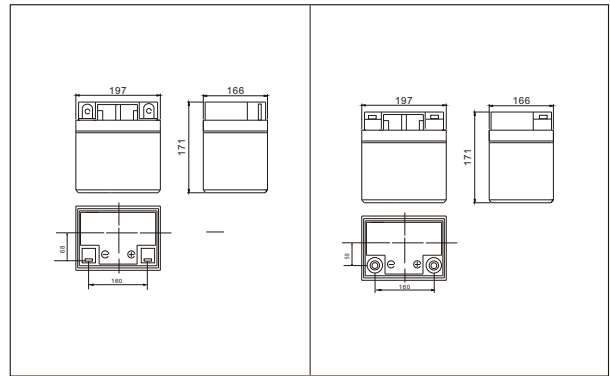
# SW12400(12V40AH)



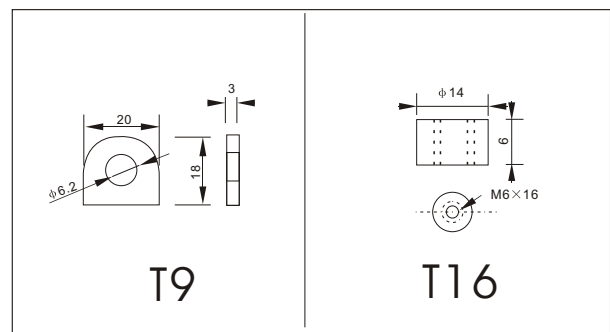
### Specifications

|                               |              |                      |
|-------------------------------|--------------|----------------------|
| Nominal Voltage               |              | 12V                  |
| Rated capacity (10 hour rate) |              | 40 Ah                |
| Dimensions                    | Total Height | 171 mm (6.73 inches) |
|                               | Height       | 171 mm (6.73 inches) |
|                               | Length       | 197 mm (7.73 inches) |
|                               | Width        | 166mm (6.54 inches)  |
| Weight Approx                 |              | 13.5 Kg (29.74 lbs)  |

### Outer dimensions (mm)



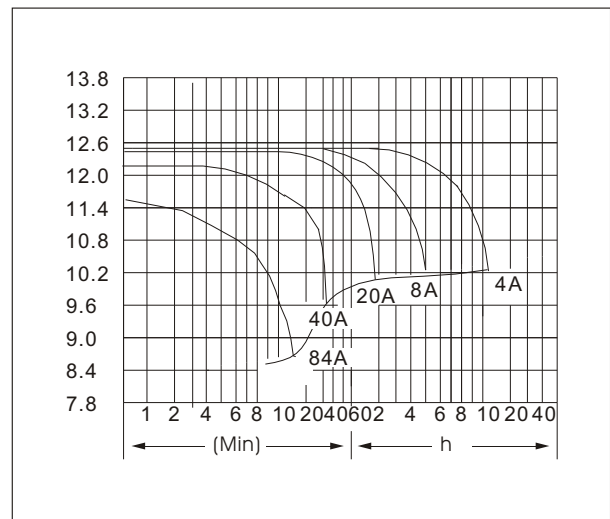
### Terminal Type (mm)



### Characteristics

|  |                                    |   |
|--|------------------------------------|---|
| Capacity<br>25°C(77°F)                         | 10 hour rate(4.0 A)                | 40.0 AH   |
|  | 5 hour rate(6.4 A)                 | 32.0 AH   |
|  | 1 hour rate(24 A)                  | 24.0 AH   |
| Internal Resistance                            | Full charged Battery at 25°C(77°F) | 8 mΩ  |
| Capacity affected by Temperature (10hour rate) | 40°C(104°F)                        | 102%  |
|  | 25°C(77°F)                         | 100%  |
|  | 0°C(32°F)                          | 85%   |
|  | -15°C(5°F)                         | 65%   |
| Self-Discharge at 25°C(77°F)                   | Capacity after 3 month storage     | 91%   |
|  | Capacity after 6 month storage     | 82%   |
|  | Capacity after 12 month storage    | 64%   |
| Terminal                                       |                                    | T16 T9  |
| Charge (constant Voltage)                      | Cycle                              | Initial Charging Current less than 16.0 A<br>Voltage 14.10-14.40V |
|  | Float                              | Voltage 13.50-13.80V  |

### Discharge Curves 25°C(77°F)



Constant Current(Amp) and Constant Power(Watt) Discharge Table at 25°C(77°F)

| Time   |   | 5min | 10min | 15min | 30min | 1h   | 2h   | 3h   | 4h  | 5h  | 8h   | 10h  | 20h  |
|--------|---|------|-------|-------|-------|------|------|------|-----|-----|------|------|------|
| 960V   | A | 128  | 84    | 68    | 45.6  | 24   | 14   | 10.3 | 8   | 6.6 | 4.68 | 4.2  | 2.27 |
|        | W | 1322 | 901   | 730   | 490   | 259  | 154  | 114  | 90  | 75  | 54   | 49   | 26.4 |
| 1020V  | A | 124  | 76    | 64    | 43.6  | 22.6 | 13.4 | 10   | 7.8 | 6.5 | 4.56 | 4.12 | 2.2  |
|        | W | 1325 | 850   | 717   | 489   | 255  | 154  | 116  | 91  | 76  | 53   | 48   | 25.8 |
| 1050V  | A | 120  | 68    | 56    | 40.8  | 21.8 | 13   | 9.8  | 7.7 | 6.4 | 4.52 | 4.04 | 2.2  |
|        | W | 1311 | 775   | 640   | 470   | 253  | 151  | 114  | 90  | 75  | 53   | 48   | 26   |
| 1080V  | A | 116  | 64    | 52    | 37.6  | 21.1 | 12.7 | 9.5  | 7.6 | 6.2 | 4.4  | 4.0  | 2.16 |
|        | W | 1298 | 740   | 600   | 436   | 246  | 149  | 112  | 89  | 74  | 52   | 48   | 25.7 |
| 11.10V | A | 112  | 60    | 48    | 33.6  | 20.4 | 12.4 | 9.2  | 7.4 | 6.1 | 4.28 | 3.8  | 2.04 |
|        | W | 1268 | 697   | 560   | 393   | 240  | 147  | 109  | 88  | 73  | 51   | 45.9 | 24.7 |