

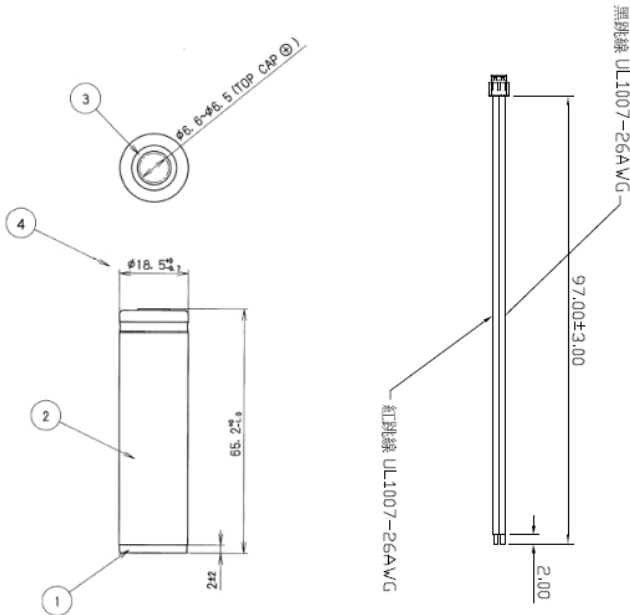
TS-BL22MA

2200mAh Lithium Ion Battery

Description

TS-BL22MA is a 2200mAh Lithium Ion rechargeable battery.

Outline



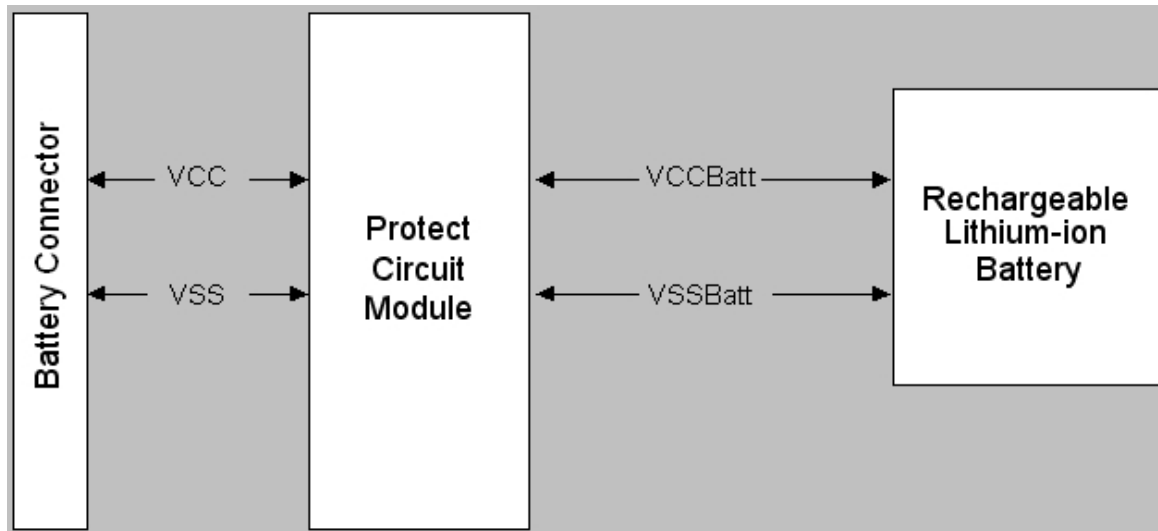
MAIN SPECIFICATIONS

- Type: Rechargeable lithium ion battery
- Nominal output voltage: 3.7 V DC
- Nominal capacity: 2200mAh
- Charging/discharging count: Approx. 300 cycles
- Ambient temperatures:
 - 0°C to 45°C , 45 to 85%RH in standard charging
 - -20°C to 35°C 45 to 85%RH for storage.
- Dimensions: Approx. $18.5 \Phi \times 65.2$ (H) mm.
- Weight: Approx. 48 g

Dimensions

Side	Millimeters	Inches
①	2.00 ± 0.20	0.079 ± 0.008
②	$65.20 - 1.00$	$2.567 - 0.039$
③	$6.50 + 0.10$	$0.256 + 0.004$
④	$18.50 - 0.70$	$0.728 - 0.028$
Line Length	97.00 ± 3.00	3.819 ± 0.118

Block Diagram



Pinouts

Pin No.	Pin Name
01	VCC
02	VSS

Pin Identification

Symbol	Function
VSS	Ground
VCC	Power input

Electrical Characteristics

Absolute Maximum Ratings

PARAMETER		Rating	Note
Nominal Capacity		2200mAh	
Minimum Capacity		2040mAh	
Cut Off Voltage		3.0V	
Nominal Voltage		3.7V	
Charge Current	Standard	0.2CmA	
	Rapid	0.7CmA	
Charge Voltage		4.2V	
Maximum Charge Voltage		4.25V	
Charge Time	Standard	Approx. 5h	Charge Current: 408mA
	Rapid	Approx. 1.5h	Charge Current: 1430mA
Maximum Charge Current		0.7CmA	
Maximum Discharge Current		1.0CmA	
Operating Temperature and Humidity Range	Charge	0~45°C, 85%RH. Max.	
	Discharge	-20~60°C, 85%RH. Max.	
Storage Temperature		-20~45°C	
Recommended Storage Temperature		20°C	

Above technical information is based on industry standard data and tested to be reliable. However, Transcend makes no warranty, either expressed or implied, as to its accuracy and assumes no liability in connection with the use of this product. Transcend reserves the right to make changes in specifications at any time without prior notice.