

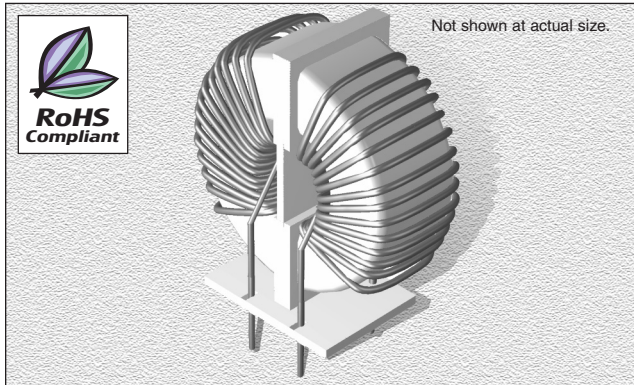
CTF2515SF Series

SPECIFICATIONS

* Indicates the inductance difference between the coil L1 and L2.

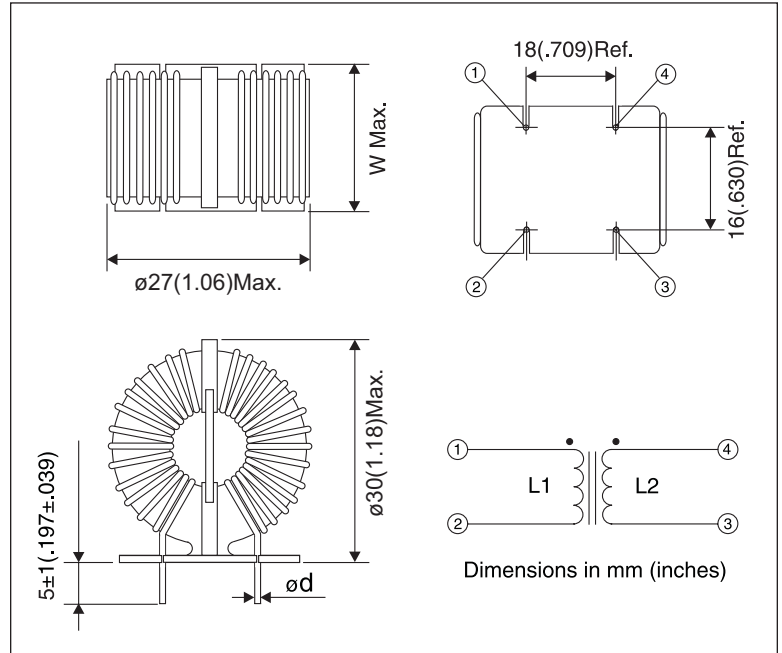
| Part Number | Inductance Min. (mH) | Inductance Difference* (μH Max.) | DCR Max. (Ω) | Rated Current (Aac) | W (mm) | Ød (mm) |
|-------------------|----------------------|----------------------------------|--------------|---------------------|--------|---------|
| CTF2515SF-202M5R0 | 2.0 | 50 | 0.05 | 5.0 | 23 | 0.8 |

PHYSICAL DIMENSIONS



CHARACTERISTICS

- Description:** Common mode choke coils for power supply line.
- Applications:** Prevents noise emission, protects AC side from the affects of switching regulators, provides noise elimination and immunity for TV's, VTR's/VCR's, audio equipment, etc.
- Operating Temperature:** -20°C to +105°C including self temperature rise
- Temperature Rise:** 45°C maximum each line
- Insulation Resistance:** 100 Mohm minimum between each winding for 1 minute
- Rated Voltage:** 250 Vac
- Dielectric Withstanding Voltage:** 2000 Vac between each winding for 1 minute
- Packaging:** Bulk Pack
- Marking:** None
- Additional Information:** Additional electrical & physical information available upon request. Different inductance and current products are available as well.
- Samples available. See website for ordering information.**



05.22.07