

# Ethernet DC/DC Converter EPC1091P & EPC1091H

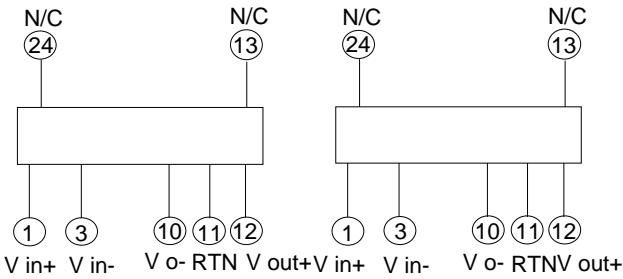
- Features**
- 75 % Typical efficiency at full load
  - Dual, Unregulated Output
  - Input / Output Isolation
  - Input filter to reduce input ripple current
  - Designed for low common mode noise

## Electrical Specifications

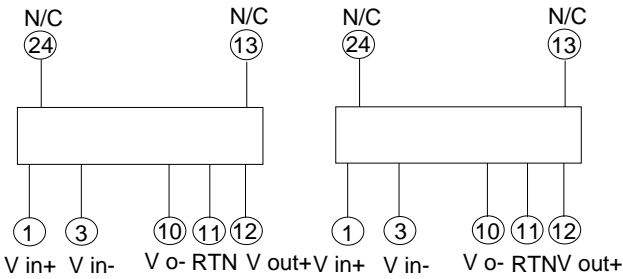
\*Note : Package with G = Surface Mount Device

PCA P/N	Standard Package	Optional Packages	Input Voltage V	Output Voltage V	Output Current mA Max.	Output Ripple & Noise @ 20 MHz BW mV p-p	Isolation Vrms
EPC1091P	E10	E10-G*, F5	5.0	$\pm 12 \pm 5\%$	100 Max.	100 Max.	500
EPC1091H	E10	E10-G*, F5, E13	5.0	$\pm 12 \pm 5\%$	100 Max.	100 Max.	2000

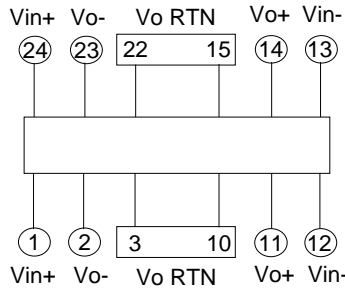
### Pin Connections for E10



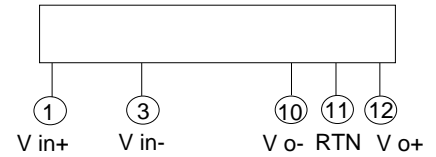
### Pin Connections for E10-G



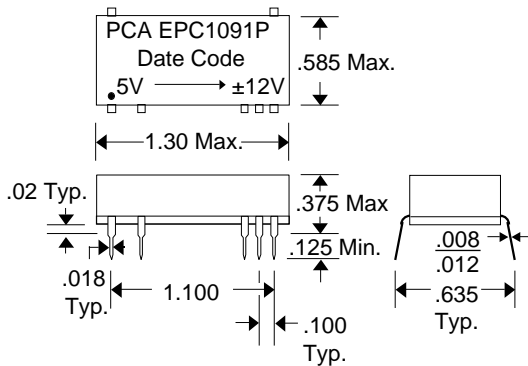
### Pin Connections for E13



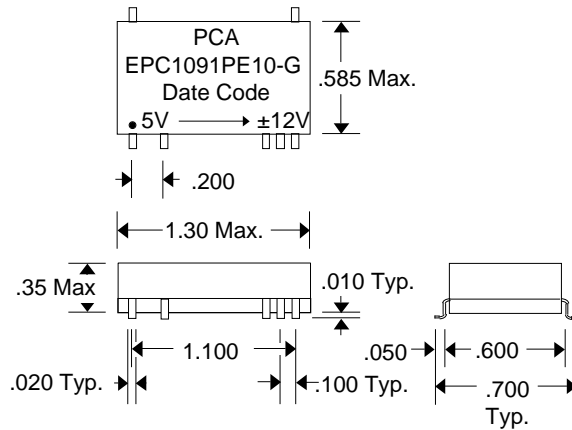
### Pin Connections for F5



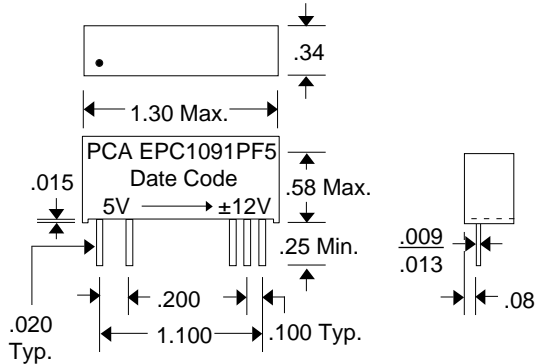
### PACKAGE E10



### PACKAGE E10-G



### PACKAGE F5



### PACKAGE E13

