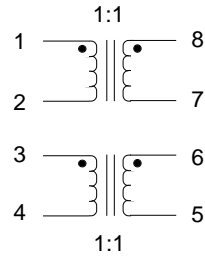


# 10 Base-T Isolation Transformer

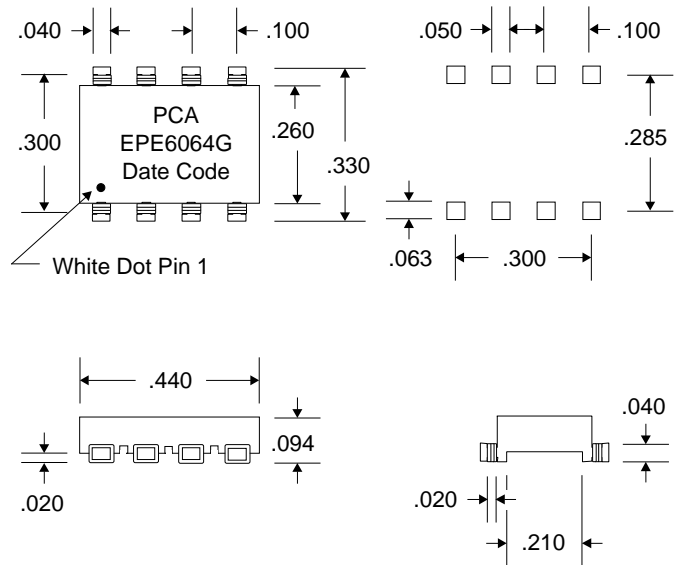
PCA Part Number **EPE6064G**

Electrical Specifications		
Test	Specification	Equipment
<b>Primary Inductance</b>	75 $\mu$ H $\pm$ 20% @ 100 KHz, 20m Vrms	HP4275A
<b>Rise Time</b>	3.0 nS Max. @ 75	
<b>Interwdg Capacitance</b>	12 pF Max. @ 20m Vrms, 100 KHz	HP4275A
<b>Primary ET</b>	1.8 V $\mu$ S Min.	
<b>Leakage Inductance</b>	0.20 $\mu$ H Max. @ 20m Vrms, 100 KHz	HP4275A
<b>DCR</b>	0.30 Max.	VP2941A
<b>Return Loss</b> (in a 100 system)	-20 dB Min. @ 1-10 MHz	
<b>Hipot</b>	2000 Vrms	
<b>Insertion Loss</b>	-0.5 dB Max. @ 1-10 MHz	
<b>Ratio</b>	1: 1	
<b>Common Mode Rej.</b>	-50 dB Min. @ 1-10 MHz	
<b>Crosstalk</b>	-45 dB Min. @ 1-10 MHz	
<b>*Insulation Rating</b>		
<b>*Oper.Ambient Temp.</b>		

## Schematic



## Package



## Notes :

1. Differential to common mode rejection exceeds -60 dB.
2. Polarity: 1°, 3°, 6°, 8°

\*Unless otherwise specified, all tests to be conducted  
@ 25°C and RH of 93% Max.

DSE6064 Rev. - 6/3/96

QAF-CSO5a Rev. B 4/25/96

Unless Otherwise Noted Dimensions in Inches

Tolerances:  
Fractional =  $\pm$  1/32  
.XX =  $\pm$  .030    .XXX =  $\pm$  .010



16799 SCHOENBORN ST.  
NORTH HILLS, CA 91343  
TEL: (818) 892-0761  
FAX: (818) 894-5791