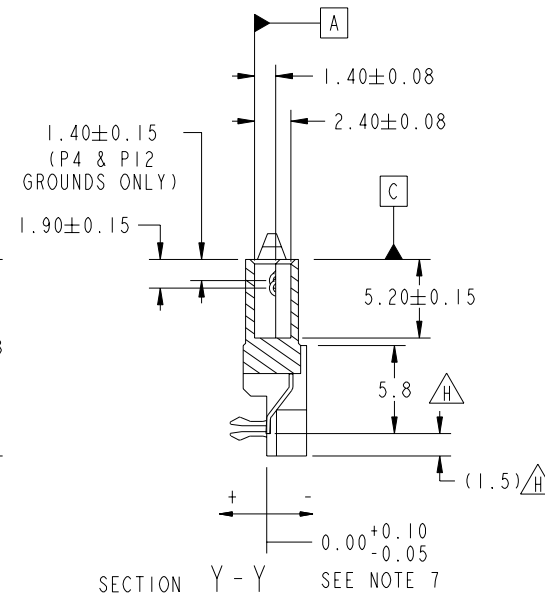
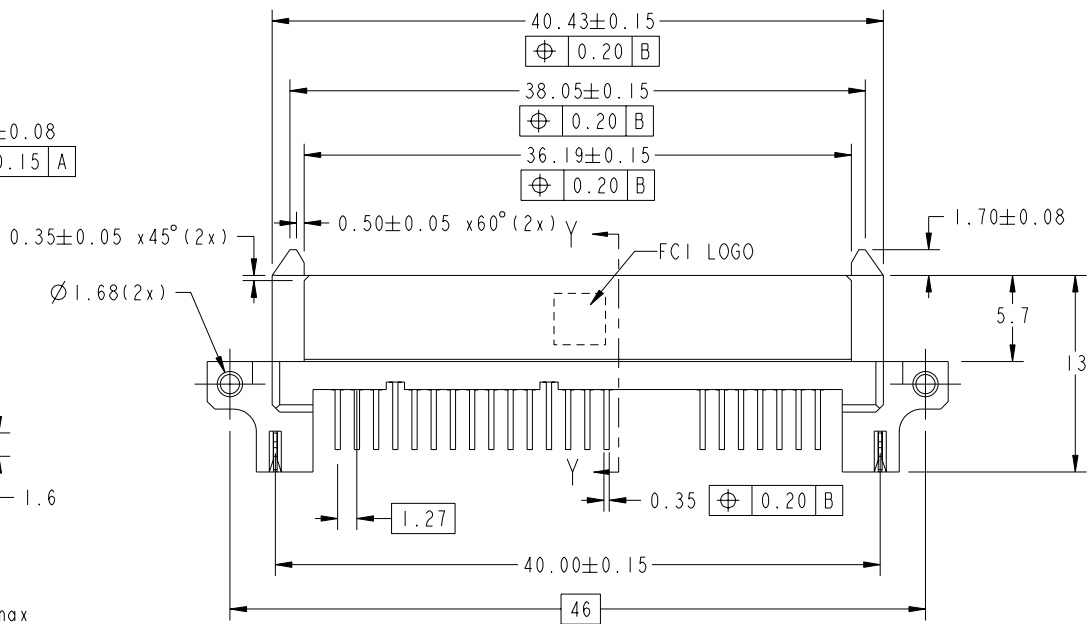
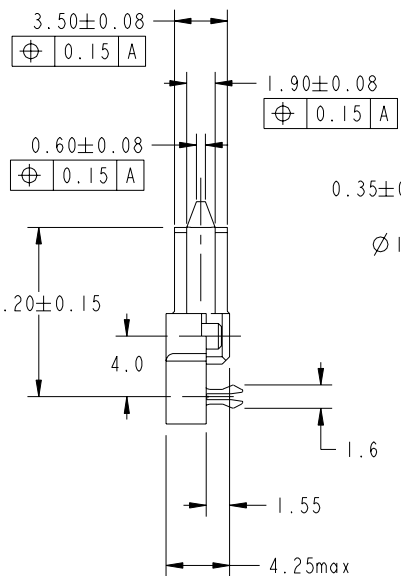
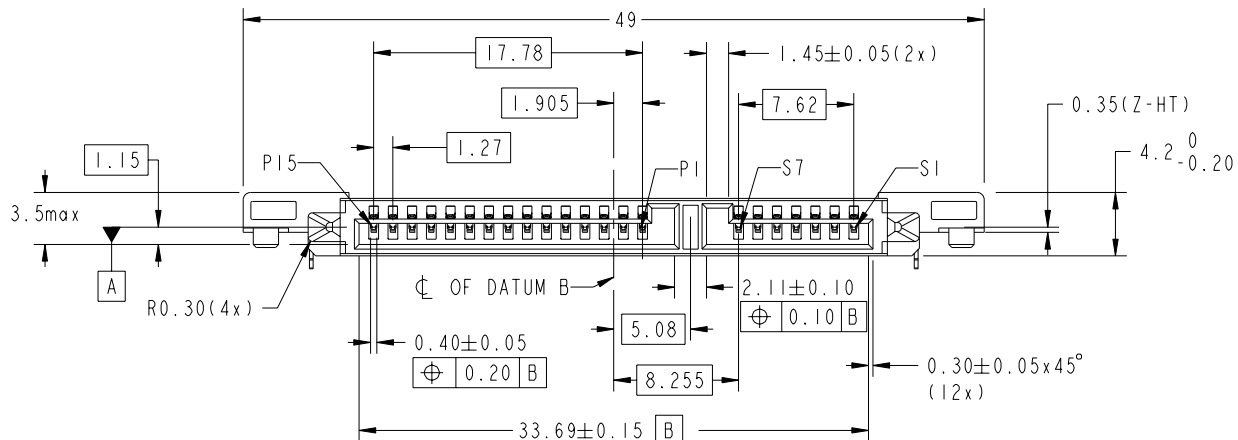


PRODUCT NO.

SEE TABLE



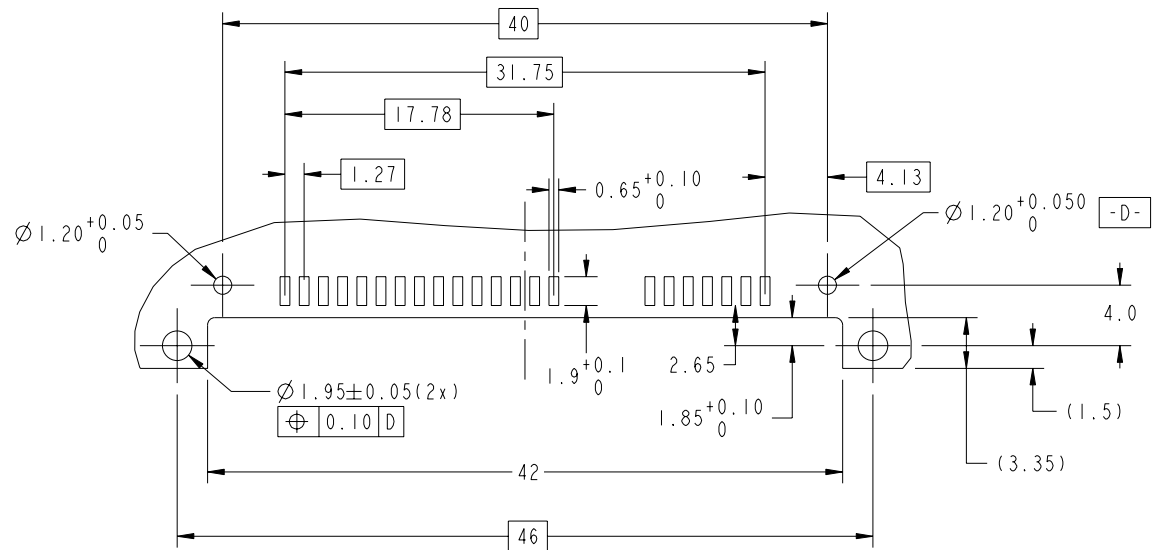
Copyright FCI.

rev	ecn no	dr	date
H	S09-0416	BLLIM	2009-12-29
C	S05-0095	YEO	2005-03-29
D	S05-0144	YEO	2005-05-16
E	S06-0237	TAY	2006-07-17
F	S07-0049	CWL	2007-02-14
G	S09-0301	BLLIM	2009-09-22

www.fci.com			surface <input checked="" type="checkbox"/>	tolerance std	projection	MM
			ASME Y14.5			
			TOLERANCES UNLESS OTHERWISE SPECIFIED			
Dr	J PEH	2004-06-10	ANGULAR	0.x	±0.25	size A4
Eng	BL LIM	2009-12-29	LINEAR	0.xx	±0.20	Scale 2:1
Chr	BL LIM	2009-12-29	2°	0.xxx	±0.10	ECN S09-0416
Appr	JOEY NG	2009-12-29	Product family		Spec ref	
FCI logo			S-ATA RECEPTACLE		dwg no	10031569
			TOP MOUNT R/A SMT ASSY		Rev. H	
catalog no			-		CUSTOMER	sheet 1 of 2

REV F - 2009-04-17

PRODUCT NO.	RECOMMENDED P.C.B. THICKNESS	PLATING
10031569-00ILF	1.6mm	NOTE 2
10031569-50ILF		NOTE 8



NOTES: -

RECOMMENDED P.C.B LAYOUT
TOLERANCE UNLESS OTHERWISE: ± 0.1

1. MATERIAL:
 - 1) HOUSING : HIGH TEMP. THERMOPLASTIC, UL 94V-0
COLOR : BLACK
 - 2) TERMINAL : COPPER ALLOY
 - 3) HOLD DOWN : COPPER ALLOY
2. FINISH:
 - 1) TERMINAL : 30u" Au PLATING (CONTACT POINT) OVER 50u" MIN NICKEL
 - 2) SOLDER TAIL : 100u" MIN TIN OVER 50u" NICKEL
 - 3) HOLD DOWN : 100u" MIN TIN OVER 50u" NICKEL
3. THE STANDARD PACKAGING IS IN TRAY.
4. THE HOUSING WILL WITHSTAND EXPOSURE TO 260°C PEAK TEMPERATURE FOR 10 SECONDS IN A CONVECTION, INFRA-RED OR VAPOR PHASE REFLOW OVEN.
5. THIS PRODUCT MEETS EUROPEAN UNION DIRECTIVES AND OTHER COUNTRY REGULATIONS AS DESCRIBED IN GS-22-008
6. PART NUMBERS ENDING IN "LF" ARE MEANT FOR LEAD-FREE IDENTIFICATION. P/N XXXXXXXX-XXLF IS EQUIVALENT TO PREVIOUS P/N XXXXXXXX-XXX
7. ALL SOLDER TAIL TO BE WITHIN 0.12mm MAX. COPLANARITY.
8. FINISH:
 - 1) TERMINAL : 15u" Au PLATING (CONTACT POINT) OVER 50u" MIN NICKEL
 - 2) SOLDER TAIL : 100u" MIN TIN OVER 50u" NICKEL
 - 3) HOLD DOWN : 100u" MIN TIN OVER 50u" NICKEL
9. A $\triangle H$ SYMBOL WILL BE NEXT TO ANY DIMENSION, VIEW, OR NOTE WHICH HAS BEEN MODIFIED WITH THE CURRENT DRAWING REVISION.

FCI	title	S-ATA RECEPTACLE	dwg no	10031569	Rev.	H
	catalog no	TOP MOUNT R/A SMT ASSY	CUSTOMER	sheet 2 of 2		



Copyright FCI.