

Series 160, 162, 163 & 165

Power Distribution Blocks

SPECIFICATIONS

Rating: To 840A, 600V; UL/CSA. See table.

Materials: Molded material: Black,
UL rated 94V0 thermoplastic

Operating Temperature: 150°C

Marking: Marker strip is optional, consult factory.

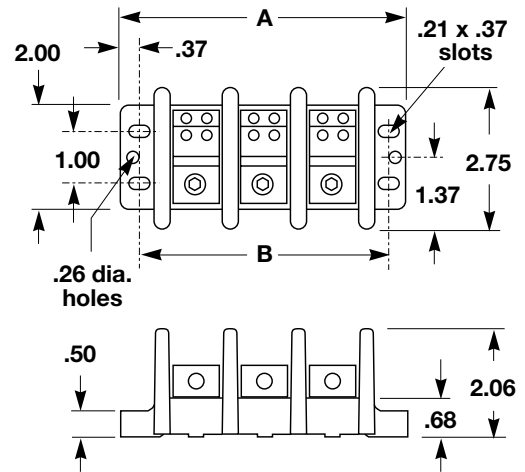
Agency Information: UL 221592; General Industrial Class per
UL 1059; CSA LR053787; CE Certified

Covers: See page 137



Part Number	Line Connection	Load Connection	Connector Material & Ampacity	Agency Approvals
*16021	2/0-#8CU-AL	(6)#4-14CU/#8AL	AL-175A	UL CSA
*16023	350MCM-#6CU-AL	(6)#4-14CU/#8AL	AL-310A	UL CSA
16220	2/0-#14CU/#8AL	(4)#4-14CU/#8AL	AL-175A	UL CSA
16321	2/0-#14CU-AL	(6)#4-14CU/#8AL	AL-175A	UL CSA
16323	350MCM-#6CU-AL	(6)#4-14CU/#8AL	AL-310A	UL CSA
16325	(2)2/0-#14CU/#8AL	(6)#4-14CU/#8AL	AL-350A	UL CSA
16330	500MCM-#6CU-AL	(6)#4-14CU/#8AL	AL-380A	UL CSA
16332	350MCM-#6CU-AL	(6)#4-14CU/#8AL	AL-310A	UL CSA
16335	500MCM-#6CU-AL	(2)1/0-#14CU/#8AL (2)2-#14CU/#8AL & (2)1/0-#14CU/#8AL	AL-380A	UL CSA UL -
16370	350MCM-#6CU-AL	(12)#4-14CU/#8AL	AL-310A	UL CSA
16371	350MCM-#6CU-AL	(6)#2-14CU/#8AL (2)1/0-#14CU/#8AL	AL-310A	UL CSA
16372	350MCM-#6CU-AL	(2)1#10-#14CU/#10AL	AL-310A	UL CSA
16373	350MCM-#6CU-AL	(2)1/0-#14CU/#8AL (14)#10-#14CU/#8AL	AL-310A	UL CSA
16375	600MCM-#2CU-AL	(12)#4-#14CU/#8AL	AL-420A	UL CSA
16376	600MCM-#2CU-AL	(6)#2-#14CU-8AL (2)1/0-#14CU-8AL	AL-420A	UL CSA
16377	(2)300MCM-#2CU-AL	(12)#4-#14CU/#8AL	AL-570A	UL -
16528	(2)600MCM-#2CU-AL	(4)3/0-#8CU-AL & (4)#4-#14CU/#8AL	AL-840A	UL CSA
16530	(2)500MCM-#6CU-AL	(12)#4-#14CU/#8AL	AL-760A	UL CSA

No. of Poles	A	B
2	4.12	3.62
3	5.37	4.87
4	6.62	6.12

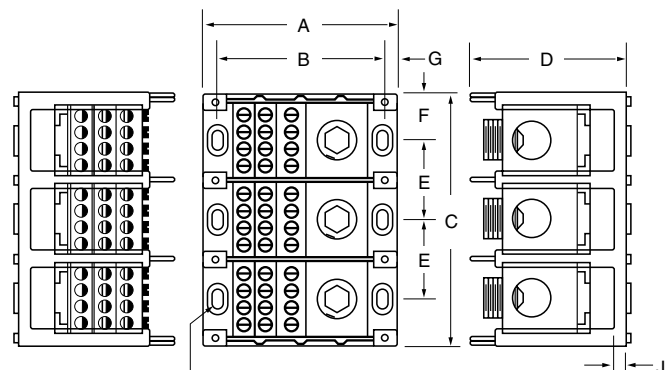
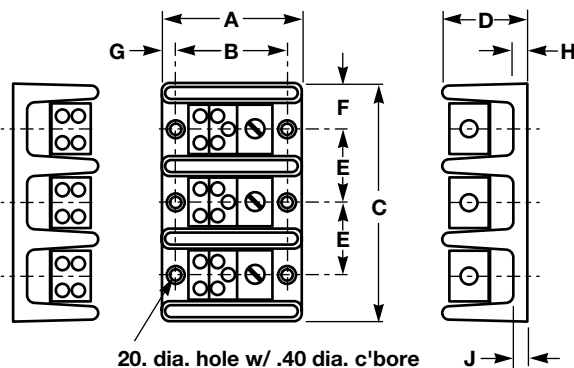


* 160 Series Bases have mounting holes outside the barriers. Other bases (162 through 165) have mounting holes within barriers. See dimensional drawings.

(1) Openings per pole.

Series	A	B	C 1-pole	C 2-pole	C 3-pole
162	2.87	2.25	1.06	1.87	2.68
163	4.00	3.37	1.98	3.60	5.21
165	5.50	4.75	3.12	5.81	8.50

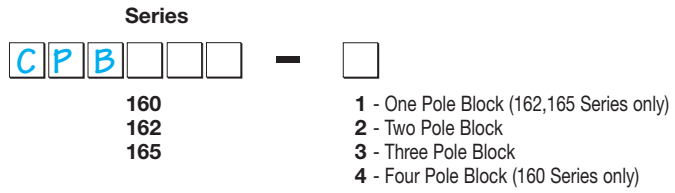
Series	D	E	F	G	H	J
162	1.75	.81	.53	.31	.84	.31
163	3.32	1.62	.97	.31	.87	.35
165	3.12	2.68	1.56	.37	1.37	.62



MTG. HOLES .21 x .41
C'BORE .42 x .62 x .12 DEEP

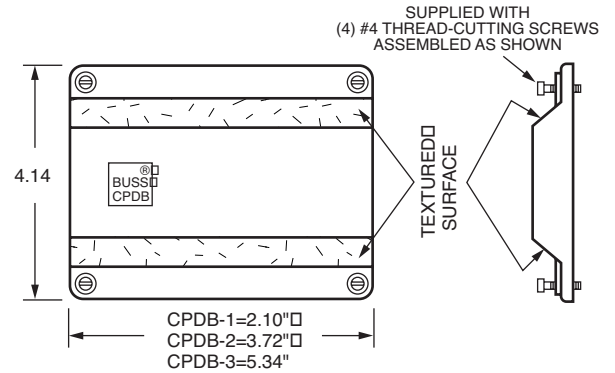
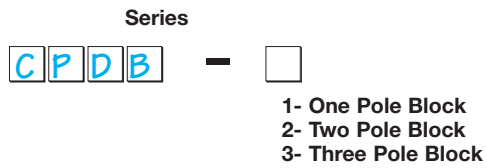
Covers (160, 162, 165 Series)

Part Numbering System



Covers (163 Series)

Part Numbering System



Clear with write on surface