

DC-AC INVERTER UNIT

CXA-L0605A-VxL (4 W SINGLE OUTPUT WITH DIMMING FUNCTION)

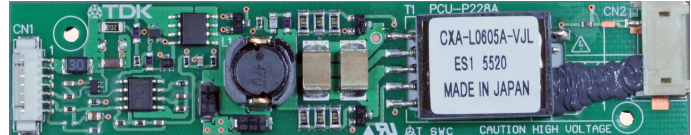
(PRELIMINARY INFORMATION)

DESCRIPTION :

This low profile DC to AC Inverter is developed for single lamp, low power LCD back -light. Application includes industrial PC and LCD monitor.

APPLICABLE LCD:

- 5 to 15 inches single lamp type
- Lamp Voltage 660 Vrms
- Lamp Current 6 mArms
- Lamp Start Up Voltage 1.800 Vrms (Vin : 5 Vdc)



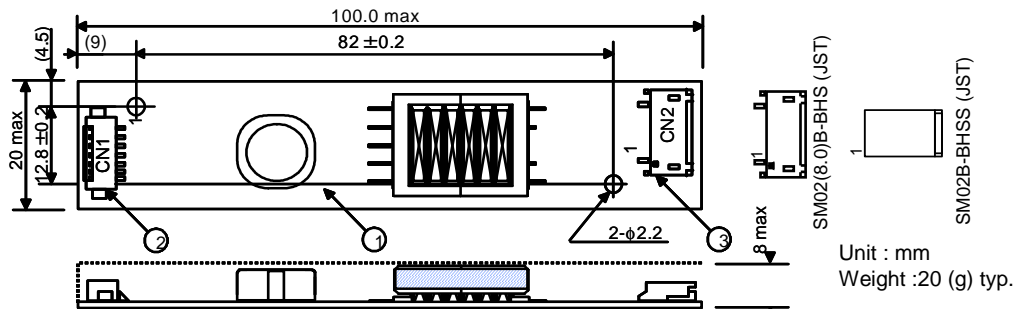
FEATURES :

- Remote ON/OFF
- Dimming Function
- Silicone Coating in High Voltage area

TEMPERATURE & HUMDITY :

- Operating Temperature Range -10°C ~ +60°C
- Storage Temperature Range -30°C ~ +80°C
- Humidity 95 %RH max

DIMENSIONS :



Note: Please use plastic screw in case of a non-insulating mounting base!

Components

No.	Part Discription	Qty.	Material	Note
1	PCB	1	UL94V-0 (FR-4 or CEM-3)	t=1.6mm
2	Connector CN1	1	53261-0790	Molex or equal
3	Connector CN2	1	SM02(8.0)B-BHS-1-TB	JST or equal
			SM02B-BHSS-1-TB	JST or equal

Input side CN1:

Pin No.	Symbols	Ratings
CN 1-1+2	Vin	4.5 ~ 5.5 Vdc
CN 1-3+4	GND	
CN 1-5	Vrmt	0 ~ 0.5 = OFF / 2.5 ~ Vin = ON
CN 1-6	Vbr	0 ~ 3.0 Vdc
CN 1-7	N.C.	

Output side CN2: (CXA-L0605A-VJL)

Pin No.	Symbols	Ratings
CN 2-1	Vhigh	660 Vrms (6 mArms)
CN 2-2	N.C.	-
CN 2-3	Vlow	0 Vdc

Output side CN2: (CXA-L0605A-VSL)

Pin No.	Symbols	Ratings
CN 2-1	Vhigh	660 Vrms (6 mArms)
CN 2-2	Vlow	0 Vdc

Power Systems – The Power Solution

Web: www.Power-Systems.de
 Email: Info@Power-Systems.de

Address: Dörnet 8 ; 74360 Ilsfeld-Auenstein / Germany
 Tel. : + 49 / 70 62 / 67 59 - 6
 Fax: + 49 / 70 62 / 67 59 - 80

DC-AC INVERTER UNIT

CXA-L0605A-VxL (4 W SINGLE OUTPUT WITH DIMMING FUNCTION)

(PRELIMINARY INFORMATION)

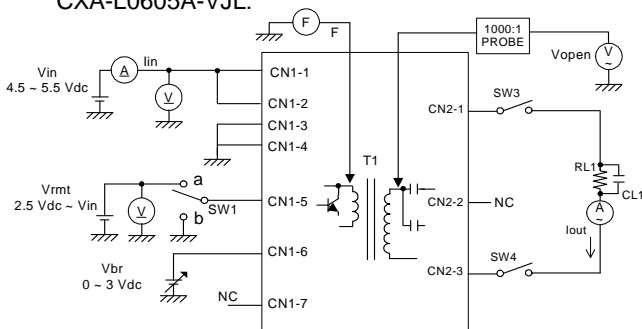
ELECTRICAL CHARACTERISTICS :

Parameters	Symbols	Conditions			Specification			Unit	Note
		Vin (V)	Vbr (V)	Tu (°C)	Min.	Typ.	Max.		
Output Current	Iout	5±0.5	0.0	+18 ~ +28	5.4	6.0	6.6	mArms	Duty = 100%
		5±0.5	0.0	0 ~ +70	5.3	6.0	6.7	mArms	
Output Current	Iout	5±0.5	3.0	+18 ~ +28	2.4	3.0	3.6	mArms	Duty min
Input Current	Iin	5±0.5	0.0	0 ~ +70	-	1.2	1.5	Adc	
Frequency	F	5±0.5	0.0	0 ~ +70	50	55	60	kHz	
Open Circuit Voltage	Vopen	11,4	0.0	0 ~ +70	1.600	1.800	-	Vrms	

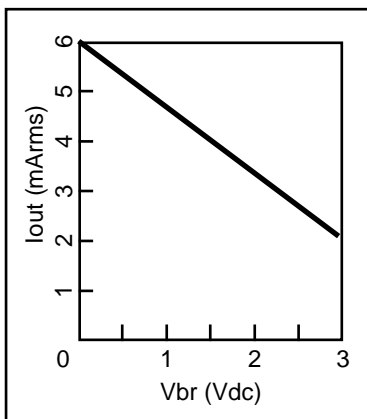
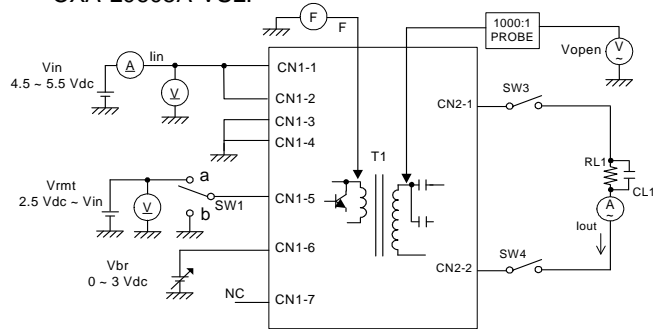
Note 1 : Please keep minimum of 2mm clearance (all directions) between inverter high voltage area as marked on mechanical drawing and any conductors.

TEST CIRCUIT :

CXA-L0605A-VJL:



CXA-L0605A-VSL:



SW1	Operation of unit
a	Operation
b	Non operation

Power Systems – The Power Solution

Web: www.Power-Systems.de
 Email: Info@Power-Systems.de

Address: Dörnet 8 ; 74360 Ilsfeld-Auenstein / Germany
 Tel. : + 49 / 70 62 / 67 59 - 6
 Fax: + 49 / 70 62 / 67 59 - 80