

Compensated High Inductance Choke, 1-phase



Description

- Current compensated choke
- 1-phase choke
- THT-terminals
- Flange for mounting onto printed circuit board
- Fully potted resin

Standards

- EN 60938
- IEC 60950
- EN 55011/55014
- VDE 0871/0875

Applications

- Placed in front of frequency converter
- Stepper motor drives
- UPS-systems
- Inverter

References

[General Product Information](#)

Weblinks

[Approvals](#), [RoHS](#), [CHINA-RoHS](#), [e-Store](#), [Distributor-Stock-Check](#)

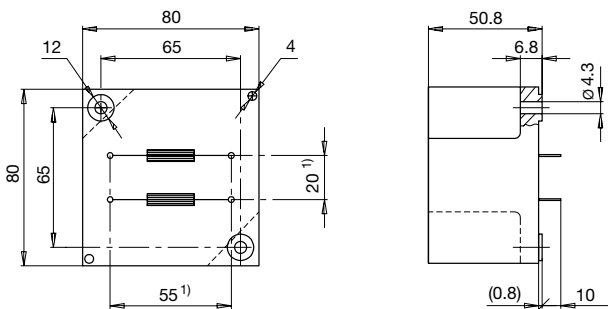
Technical Data

Rated voltage	up to 540 VAC
Rated voltage	up to 760 VDC
Rated Current	4 - 7 A @ Ta 40 °C
Rated inductance	14 - 60 mH, Tol. -30% +50%
Power Operating Frequency	50 - 400 Hz
Terminal technic	THT
Weight	145 - 505 g
Material: Housing	UL 94V-0
Sealing Compound	UL 94V-0

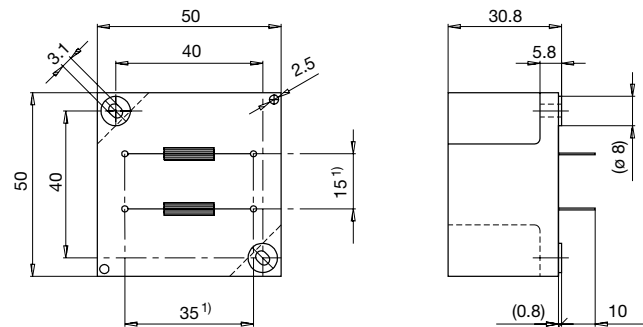
Test Voltage	2.5 kV, 50 Hz, 2 sec, winding to winding
Isolation Voltage	2.5 kV eff., 50 Hz, 2 sec, winding to ambient
Climatic Category	25/100/21 acc. to IEC 60068-1
Allowable Operation Temp.	-25 °C to 100 °C

Dimensions

Case 31-2P



Case 46-2P



1) Spacing given at pin base

Variants

I_n [A]	L_n [mH]	R_{cu} [mΩ]	Tripped Power Dissipation [W]	f_{RES} [MHz]	Copper ø [mm]	Weight [g]	Housing	Packing unit [pcs.]	Order Number
4	60	250	8	0.1	0.71	490	31-2P	2	DKLL-0231-0460
5	40	126	6.3	0.048	0.9	490	31-2P	2	DKLL-0231-0540
7	20	62	6	0.18	1.12	505	31-2P	2	DKLL-0231-0720
4	30	96	3	0.2	0.8	145	46-2P	10	DKLL-0246-0430
6	14	46	3.3	0.3	1	145	46-2P	10	DKLL-0246-0614