

Common Mode Choke

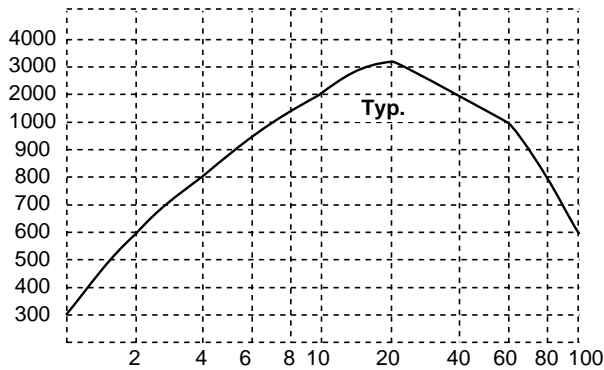
EPA3568S

- Optimized for T1/E1 Applications •
- Common Mode Choke for EMI Reduction •

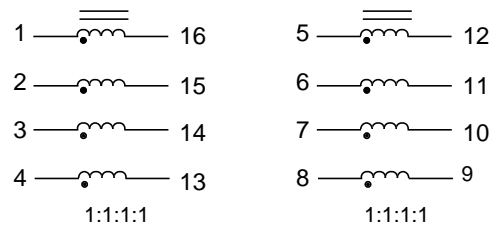
Electrical Parameters @ 25° C

OCL (μ H Min.)	Interwinding Capacitance (pF Max.)	Leakage Inductance (μ H Max.)	DCR (Ω Max.)	Hipot Vrms
36	25	0.3	0.5	500

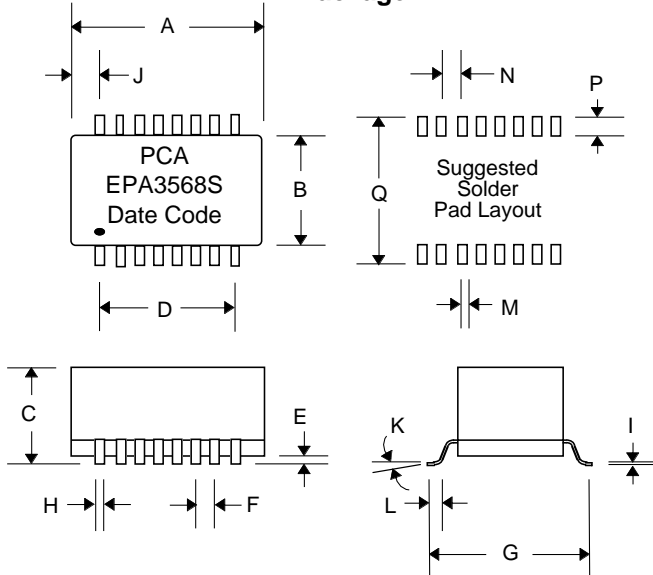
Impedance Graph (deg Ω)



Schematic



Package



Dimensions

Dim.	(Inches)			(millimeters)		
	Min.	Max.	Nom.	Min.	Max.	Nom.
A	.480	.500	.490	12.19	12.70	12.45
B	.260	.280	.270	6.60	7.11	6.86
C	.230	.250	.240	5.84	6.35	6.10
D	---	---	.350	---	---	8.89
E	.010	.015	.0125	.254	.381	.317
F	---	---	.050	---	---	1.27
G	.360	.380	.370	9.14	9.65	9.40
H	.016	.022	.019	.406	.559	.483
I	---	---	.010	---	---	.254
(J)	---	---	.070	---	---	1.78
K	0°	8°	---	0°	8°	---
L	.025	.045	.035	.635	1.14	.889
M	---	---	.030	---	---	.762
N	---	---	.050	---	---	1.27
P	---	---	.090	---	---	2.29
Q	---	---	.420	---	---	10.67