



# O/E/N 35HT

## HEAVY DUTY AUTOMOTIVE POWER RELAY

### FEATURES

- Direct PCB Mountable
- High Performance
- Heavy Duty
- Extra Braided Wire

### APPLICATION

- Glow Plug Timer
- Heating Elements

### TECHNICAL DATA FOR CONTACT SIDE :

#### Areas of Application

Contact Configuration :  
Contact Material :

#### Contact Rating

Continuous :

Switching :

Mechanical Life Operations Min. :

Contact Voltage Drop at 10 A (Min) :

Maximum Switching Current @ 12.8 VDC For 3 Sec. :

#### RESISTIVE / INDUCTIVE LOADS

1A

Silver Alloy

1) 50A Glow plug Load@12VDC

(Coil voltage = 13.2VDC@85°C) for 500Hrs.

2) 70A glow plug load@12 VDC

(Coil voltage = 13.2 VDC@23°C) for 500Hrs.

70A @13.5 VDC (Glow Plug Load) for 50000 cycles with  
1 Sec ON, 35 Sec. OFF

1 x 10<sup>6</sup>

50mV

300 A - On / 70 A - Off (Make & Break Ratio of 1:10)

### GENERAL DATA FOR COIL SIDE

Nominal Coil Power : 1.6W (Approx)

Operating Power : 0.9W (Approx)

Operate Time\* : 5 milli Seconds

Release Time\* : 3 milli Seconds

\* At nominal voltage without coil suppression (excluding bounce)

### OPERATING CONDITIONS

Ambient Temperature : -40°C to +85°C

Maximum Temperature : 155°C

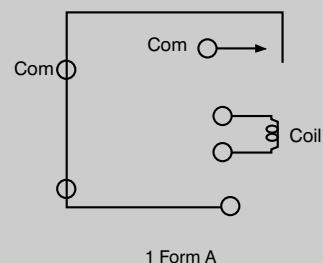
Dielectric Strength : 500VRMS

Insulation Resistance : 100 Meg. Ohms Min. At 500 VDC,  
25°C RH 50

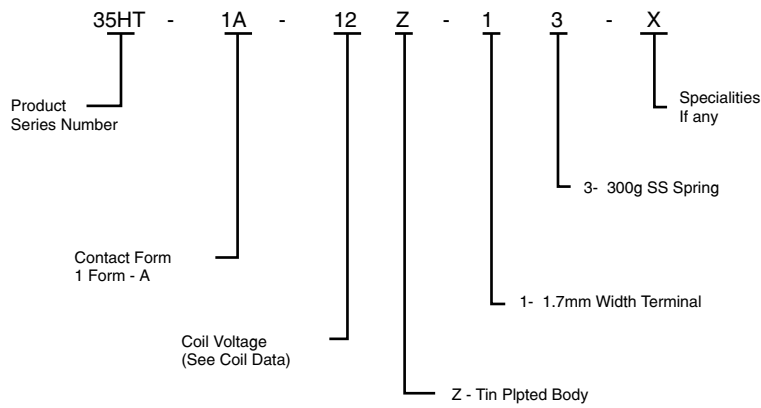
Vibration Resistance (without change in the switching state > 10μS) : 10-200Hz 20g - 40g

Shock Resistance (without change in the switching state > 10μS) : 30g, 11mS

### CIRCUIT DIAGRAM



## HOW TO ORDER

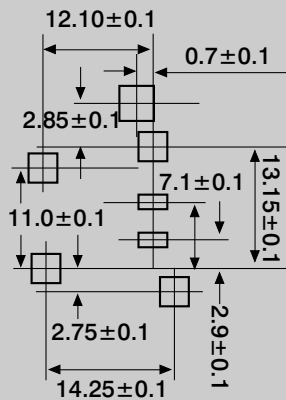


## COIL DATA

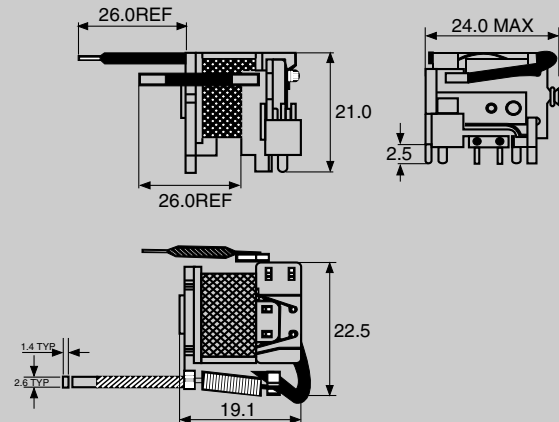
Nominal Voltage VDC	**Pick-up Voltage VDC (Max)	Coil Resistance at 20°C Ohms ± 10%
12	7.2	64

\*\*Lower pick-up Voltages available on request

## DRILLING PATTERN



## DIMENSIONS



## AVAILABLE ON REQUEST

- Special coil resistance & pick-up
- For other custom solutions consult factory