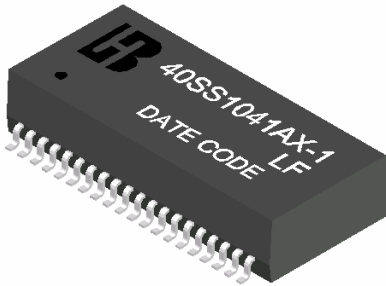




40 PIN SMD ETHERNET 100 BASE –TX HIGH SPEED LAN MAGNETICS

P/N: 40SS1041AX-1 LF DATA SHEET

Feature



- Symmetrical TX and RX channels for auto MD1/MD1X capability .
- Compliant with IEEE 802.3u standards including 350µH OCL with 8mA bias .
- Comply with RoHS requirements-whole part No Cd, No Hg, No Cr6+, No PBB and PBDE and No Pb on external pins.
- Comply with Air reflow profile of JEDEC 020C.
- Operating temperature range : 0 to +70 .
- Storage temperature range: -25 to +125 .

Electrical Specifications @ 25°C

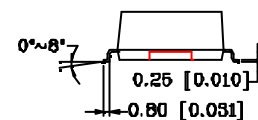
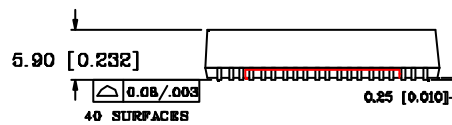
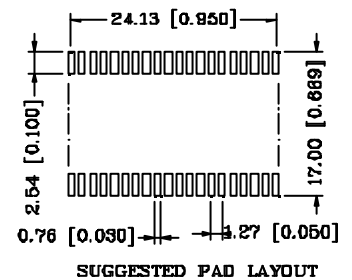
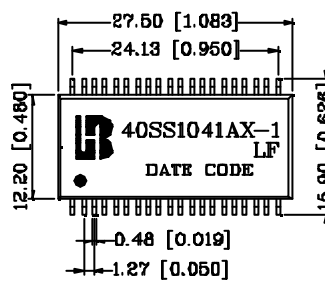
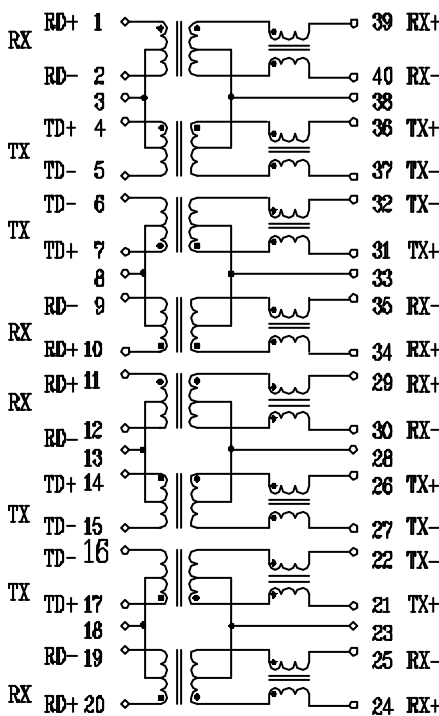
Part Number	Turns Ratio (±5%)		OCL (uH Min) @100KHz/0.1V with 8mA DC/Bias	L.L (uH Max)	C _{www} (pF Max)	HI-POT (Vrms)
	TX	RX				
40SS1041AX-1 LF	1CT:1CT	1CT:1CT	350	0.4	56	1500

Continue

Part Number	Insertion Loss (dB Max)	Return Loss (dB Min)			Cross talk (dB Min)		DCMR (dB Min)		
		0.3-100MHz	0.3-30MHz	30-60MHz	60-80MHz	0.3-60MHz	60-100MHz	60MHz	100MHz
40SS1041AX-1 LF	-1.15	-16	-12	-10	-40	-35	-37	-28	-25

Schematic

Mechanical



Units: mm[Inches] all Tolerance are :±0.25[0.010]