



# O/E/N 79

## AUTOMOTIVE POWER RELAY

### FEATURES

- High Performance
- Dust Protected
- Universal Foot Print
- Medium Duty

### APPLICATION

- Starter Motor
- Radiator Fan
- A/C Controls
- Heating Elements

## TECHNICAL DATA FOR CONTACT SIDE :

### Areas of Application

Contact Configuration	:	
Contact Material	:	
Contact Rating at 23°C - 12VDC	:	
Electrical Life Operations Min.	:	
Mechanical Life Operations Min.	:	
Contact Voltage Drop at 10 A (Min)	:	
Maximum Switching Current @ 12.8 VDC For 3 Sec.	:	

### RESISTIVE / INDUCTIVE LOADS

1A/1C
Silver Nickel
25A / 10A
1 x 10 <sup>5</sup>
1 x 10 <sup>7</sup>
50mV
120A

## GENERAL DATA FOR COIL SIDE

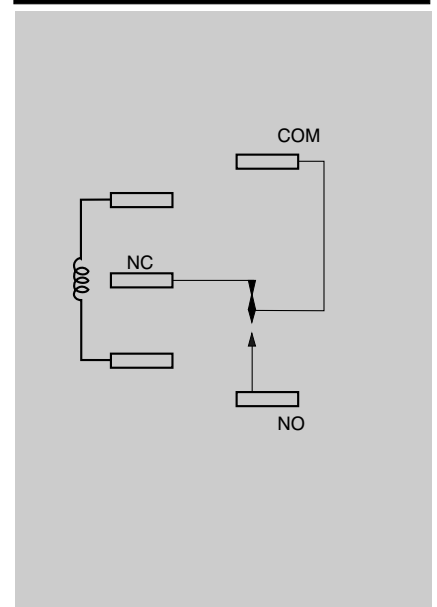
Nominal Coil Power	:	1.9W (Approx)
Operating Power	:	1.1W (Approx)
Operate Time*	:	10 milli Seconds
Release Time*	:	7 milli Seconds

\* At nominal voltage without coil suppression (excluding bounce)

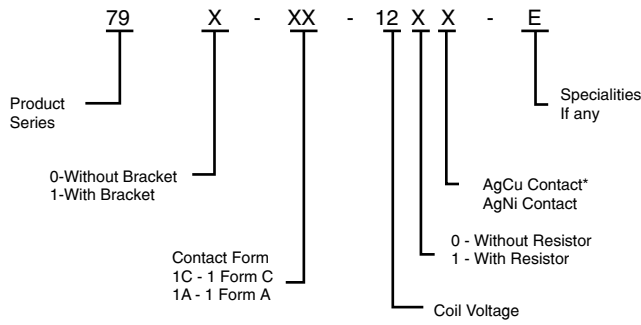
## OPERATING CONDITIONS

Ambient Temperature	:	-30°C to +85°C
Maximum Temperature	:	125°C
Dielectric Strength	:	500VRMS
Insulation Resistance	:	100 Meg. Ohms Min. At 500 VDC, 25°C RH 50
Vibration Resistance (without change in the switching state > 10μS)	:	10-500Hz 20g
Shock Resistance (without change in the switching state > 10μS)	:	20g, 8mS

## CIRCUIT DIAGRAM



## HOW TO ORDER



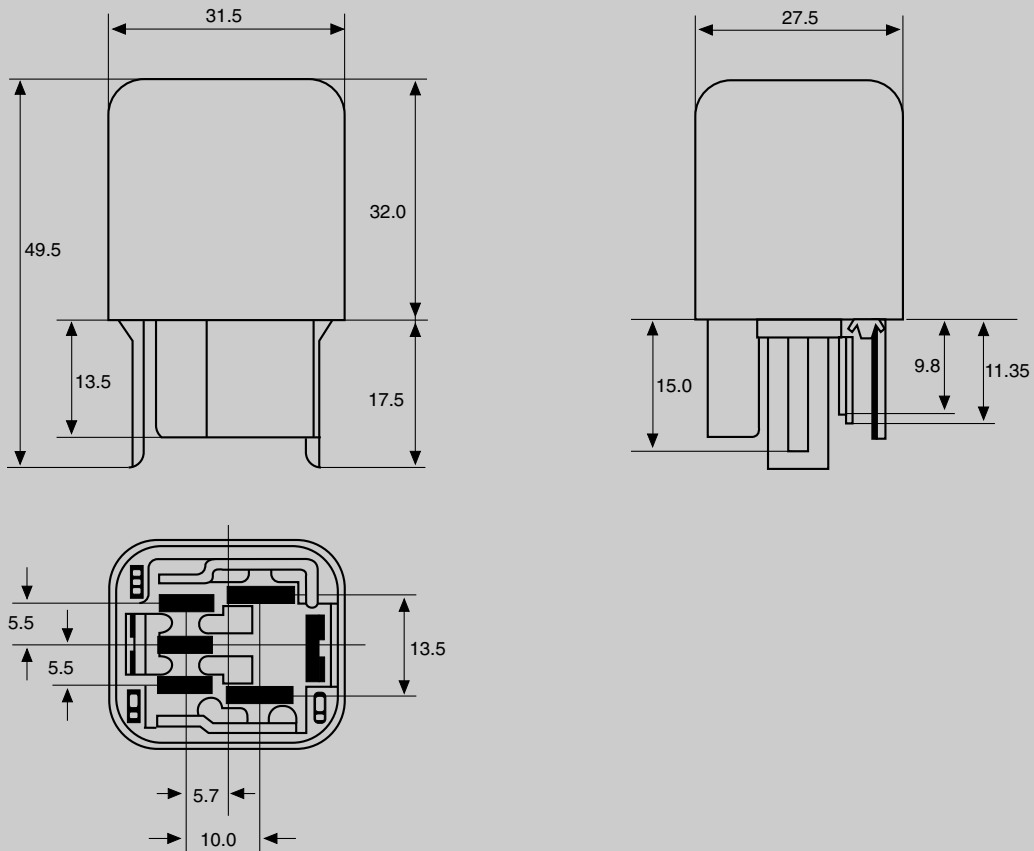
\*Under introduction

## COIL DATA

Nominal Voltage VDC	Coil Resistance at 20° C Ohms ± 10%	Pick - up Voltage** VDC (MAX)
12	75	8

\*\*Lower pick-up Voltages available on request

## DIMENSIONS



## MECHANICAL DATA

### COVER RETENTION

Pull : 20KgF  
Push : 20KgF

### TERMINAL STRENGTH

Pull : 10KgF  
Push : 10KgF  
Plug-in Force : 12.25KgF  
Removal Force : 11.35KgF

## WATER RESISTANCE TEST

Horizontal Plane: 23rev. / Min.

Water Pressure: 0.03 Mpa

Test time: 10 Min

Inference : No water ingress

## AVAILABLE ON REQUEST

- Resistor / diode across coil
- For other custom solutions consult factory