

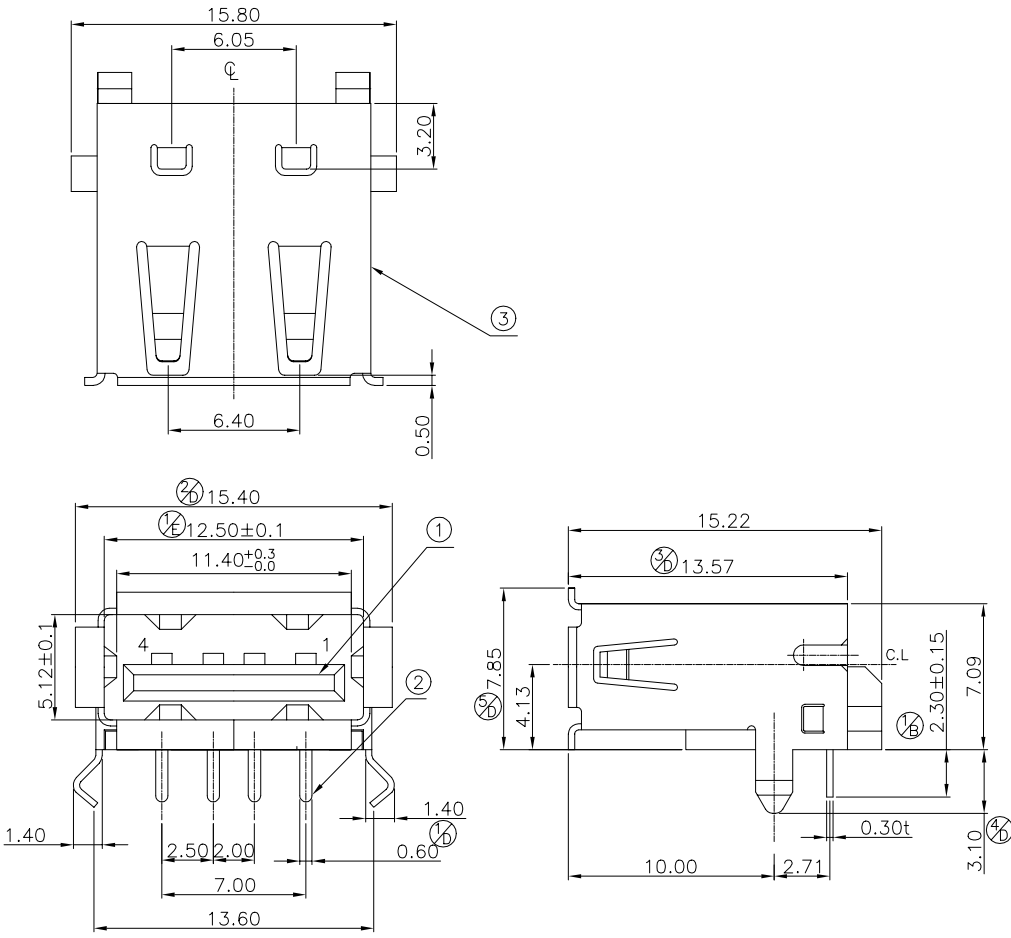
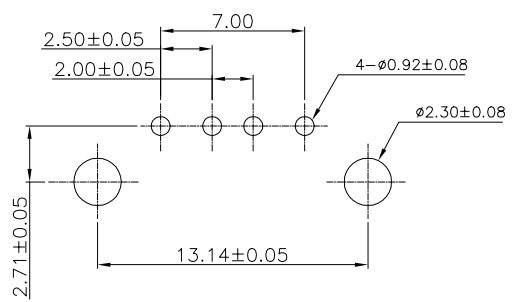
Ⓜ Ⓜ NOTE:

A. 020173MR004S 1XZX(2537A-04G 1T-X)
1 1

- Selective plating
'S1(G1T)-05u" select gold in contact/
Min. 100u" tin in solder area
'S2(G2T)-Gold flash in contact area/
Min. 100u" tin in solder area
'S3(G3T)-10u" select gold in contact/
Min. 100u" tin in solder area
'S4(G4T)-15u" select gold in contact/
Min. 100u" tin in solder area
*'S5(G5T)-30u" select gold in contact/
Min. 100u" tin in solder area
*'S6(G6T)-50u" select gold in contact/
Min. 100u" tin in solder area

* 符合 USB 協會認證

Recommended P.C.B Layout(Component Side)



④	SUYIN P/NO.	SUYIN P/NO.(OLD)	PACKAGE	鐵殼	⑦
	020173MR004SX13ZU	2537A-04G5T	TUBE	亮錫	
	020173MR004SX14ZU	2537A-04G5T-D	TUBE	鍍	
	020173MR004SX14ZR		REEL+MYLAR	鍍	

NO.	DESCRIPTION	MATERIAL	COLOR	REMARK
4				
3	SHELL	Brass		
2	TERMINAL	Pho.Bronze		Selective Gold/Tin
1	HOUSING	NY-6T	BLACK	UL 94V-0

SUYIN
CONNECTOR

CUSTOMER COPY TITLE: USB Conn. R/A DIP Female Type Series A.

ECN (DCN) NO.	REV	DATE	DESCRIPTION	CHANGE	APPRO.	GENERAL TOLERANCE UNLESS OTHERWISE NOTED	ANGLE	±2°	DRAW	王淑嬋	00/06/13
ECIT-020725-04	G	02/07/25	增加新料號 G1: 13.60 → 13.60 ± 0.5	余強	陳清照	30 ~ 30 ± 0.50					
ECIT-020617-06	F	02/06/17	F1: 霧錫 → 亮錫 F2: 改變彈片方向	陳江	陳清照	10 ~ 10 ± 0.30			DESIGN	葉聰富	00/06/13
ECIT-020227-01	E	02/02/27	增加標注尺寸	李碧華	宋權哲	~ 10 ± 0.15			CHECK	葉聰富	00/06/13
									APPRO.	孫一翔	00/06/13

PART NO.	020173MR004SX1XZX
PART NO. (OLD)	2537A-04GXT-X
DRAWING NO.	020173MR004SX1XZX
SCALE	4:1
UNIT	mm
A4	