

IEC Appliance Inlet C14 with Fuseholder 1- or 2-pole for PCB

Plug removal necessary for fuse replacement



KEA-Print



KEA-Print

**Description**

- Panel Mount:
Screw-on version from front or rear side, snap-in version from front side
- 2 Functions:
Appliance Inlet Protection class I, Fuseholder for fuse-links 5 x 20 mm 1- or 2-pole
- For PCB mounting

Approvals

- VDE License Number: 40012272

Characteristics

- All single elements are already wired
- Plug removal necessary for fuse-link replacement
The fuse drawer "Fingergrip" can be removed by hand
For added safety "Extra-Safe" fuse drawers are available
Fuse drawer meets requirements of medical standard IEC/EN 60601-1
The fuseholder is accessible from the equipment front
- Qualified for use in equipment according IEC/EN 60950

Other versions on request

- With solder terminals
- Fuse drawer with other voltage values
- For protection class II

References

[General Product Information](#)

Weblinks

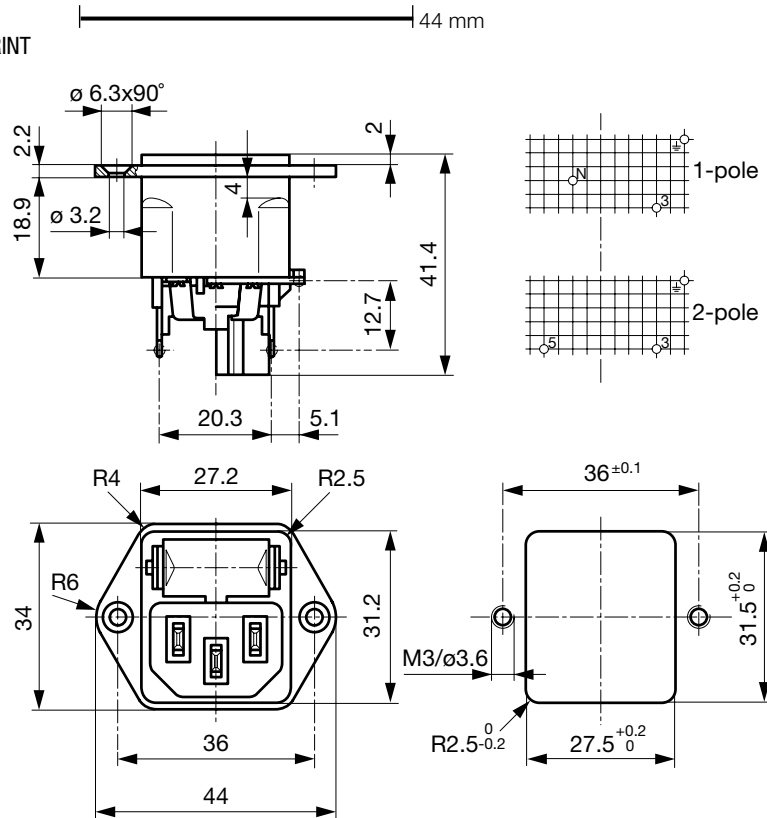
[Approvals](#), [RoHS](#), [CHINA-RoHS](#), [Mating Connectors](#), [e-Store](#), [Distributor-Stock-Check](#), [Accessories](#)

Technical Data

Ratings IEC	10A / 250VAC; 50Hz	Appliance Inlet	C14 acc. to IEC/EN 60320-1, UL 498, CSA C22.2 no. 42 (for cold conditions) pin-temperature 70 °C, 10A, Protection Class 1
Ratings UL/CSA	10A / 250VAC; 60Hz	Fuseholder	1 or 2 pole, Shocksafe category PC2 acc. to IEC 60127-6, for fuse-links 5 x 20mm
Dielectric Strength	> 3kVAC between L-N > 4kVAC between L/N-PE (1 min/50Hz)	Rated Power Acceptance @ Ta 23 °C	5 x 20: 2W (1 pole)/ 1.6W (2-pole) per pole
Allowable Operation Temp.	-25 °C to 70 °C	Power Acceptance @ Ta > 23 °C	Admissible power acceptance at higher ambient temperature see derating curves
Degree of Protection	from front side IP 40 acc. to IEC 60529		
Protection Class	Suitable for appliances with protection class 1 acc. to IEC 61140		
Terminal	For PCB 1,6 mm		
Panel Thickness s	Screw: max 8 mm Mounting screw torque max 0.5Nm Snap-in: 1.5/2/2.5 mm		
Material: Housing	Thermoplastic, black, UL 94V-0		

Dimensions

Screw-on mounting type KEA-PRINT

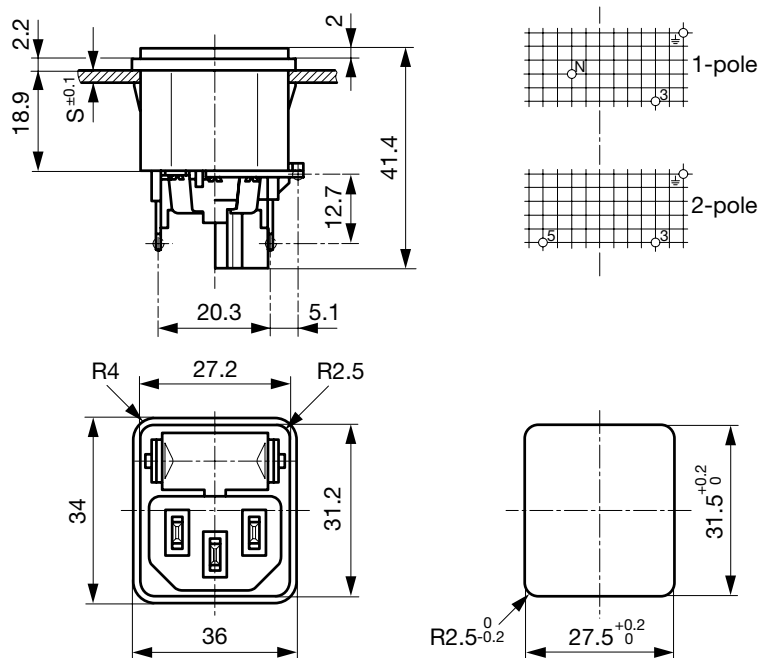


Template grid 1/10" = 2.54 mm

Drill. Ø: 3/5/N = Ø 1.3 + 0,1/0

Gnd = Ø 1.6 + 0,1/0

Snap-in mounting type KEA-PRINT



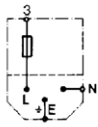
Template grid 1/10" = 2.54 mm

Drill. Ø: 3/5/N = Ø 1.3 + 0,1/0

Gnd = Ø 1.6 + 0,1/0

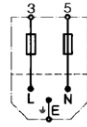
Diagrams

with internal connections
1-pole



(KEA-Print)

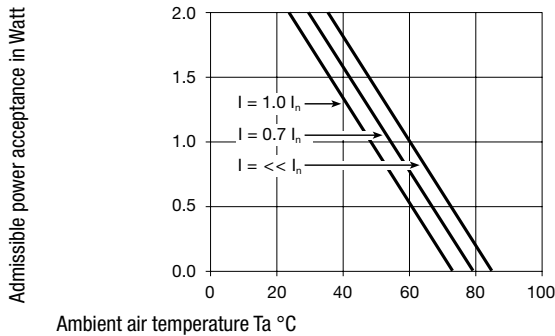
with internal connections
2-pole



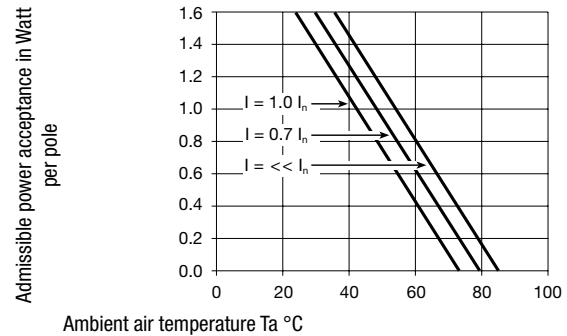
(KEA-Print)

Derating Curves

1-pole



2-pole



Variants

Fingergrip and Extra-Safe
internal connections, fuse drawer must be ordered separately

Type	Panel mounting	Panel Thickness [mm]	Fuseholder	Voltage Selectors	Internally wired	Order Number
KEA-Print	Screw	-	1-pole	without	●	4301.3211
KEA-Print	Screw	-	2-pole	without	●	4301.3201
KEA-Print	Snap-in	1.5	1-pole	without	●	4301.3212
KEA-Print	Snap-in	2	1-pole	without	●	4301.3213
KEA-Print	Snap-in	2.5	1-pole	without	●	4301.3214
KEA-Print	Snap-in	1.5	2-pole	without	●	4301.3202
KEA-Print	Snap-in	2	2-pole	without	●	4301.3203
KEA-Print	Snap-in	2.5	2-pole	without	●	4301.3204

Packaging unit 50 Pcs

Required Accessory

Description

Fusedrawer 2
Fusedrawer with and without Voltage Selector Insert



Fingergrip, 2-pole	4301.1401
Extra-Safe, 2-pole	4301.1403
Fingergrip, 1-pole	4301.1405
Extra-Safe, 1-pole	4301.1407
...	...

Accessories



[Cord retaining kits](#)
Cord retaining strain relief

Flat head, A	4700.0001
Countersunk, B	4700.0002

Mating Outlets/Connectors

Category / Description

[Appliance Outlet Overview complete](#)



IEC Appliance Outlet F, Screw-on Mounting, Front Side, Solder or Quick-connect Terminal	4787
IEC Appliance Outlet F, Snap-in Mounting, Front Side, Solder or Quick-connect Terminal	4788
IEC Appliance Outlet F or H, Screw-on Mounting, Front Side, Solder, PCB or Quick-connect Terminal	5091
IEC Appliance Outlet F or H, Screw-on Mounting, Front Side, Solder or Quick-connect Terminal	5092

[Appliance Outlet further types to KEA-Print](#)

[Connector Overview complete](#)



IEC Connector C15, Rewireable, Straight	0101
IEC Connector C15A, Rewireable, Straight	0102
IEC Connector C15A, Rewireable, Straight	0102-G
IEC Connector C15A, Rewireable, Angled	0112
IEC Connector C13, Rewireable, Angled	4012

[Connector further types to KEA-Print](#)

[Power Cord Overview complete](#)



Power Cord with IEC Connector C13, Angled	0311
Power Cord with IEC Connector C13, Angled	3011
Power Cord with IEC Connector C13, Angled	3012
Power Cord with IEC Connector C13, Angled	3013
Power Cord with IEC Connector C13	3020

[Power Cord further types to KEA-Print](#)