



DC COMPONENTS CO., LTD.  
DISCRETE SEMICONDUCTORS

BC548  
BC549

TECHNICAL SPECIFICATIONS OF NPN EPITAXIAL PLANAR TRANSISTOR

Description

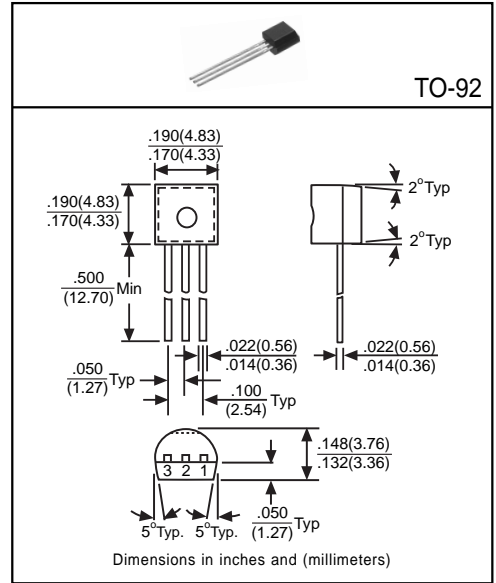
Designed for use in drive stage of audio amplifiers.

Pinning

- 1 = Collector
- 2 = Base
- 3 = Emitter

Absolute Maximum Ratings (T<sub>A</sub>=25°C)

Characteristic	Symbol	Rating	Unit
Collector-Base Voltage	V <sub>CB0</sub>	30	V
Collector-Emitter Voltage	V <sub>CEO</sub>	30	V
Emitter-Base Voltage	V <sub>EBO</sub>	5	V
Collector Current	I <sub>C</sub>	100	mA
Total Power Dissipation	P <sub>D</sub>	500	mW
Junction Temperature	T <sub>J</sub>	+150	°C
Storage Temperature	T <sub>STG</sub>	-55 to +150	°C



Electrical Characteristics

(Ratings at 25°C ambient temperature unless otherwise specified)

Characteristic	Symbol	Min	Typ	Max	Unit	Test Conditions	
Collector-Base Breakdown Voltage	BV <sub>CB0</sub>	30	-	-	V	I <sub>C</sub> =100μA, I <sub>E</sub> =0	
Collector-Emitter Breakdown Voltage	BV <sub>CEO</sub>	30	-	-	V	I <sub>C</sub> =1mA, I <sub>B</sub> =0	
Emitter-Base Breakdown Voltage	BV <sub>EBO</sub>	5	-	-	V	I <sub>E</sub> =100μA, I <sub>C</sub> =0	
Collector Cutoff Current	I <sub>CBO</sub>	-	-	15	nA	V <sub>CB</sub> =30V, I <sub>E</sub> =0	
Collector-Emitter Saturation Voltage <sup>(1)</sup>	V <sub>CE(sat)</sub>	-	0.2	0.6	V	I <sub>C</sub> =100mA, I <sub>B</sub> =5mA	
Base-Emitter Saturation Voltage <sup>(1)</sup>	V <sub>BE(sat)</sub>	-	0.9	1.1	V	I <sub>C</sub> =100mA, I <sub>B</sub> =5mA	
Base-Emitter On Voltage <sup>(1)</sup>	V <sub>BE(on)1</sub>	0.58	-	0.7	V	I <sub>C</sub> =2mA, V <sub>CE</sub> =5V	
	V <sub>BE(on)2</sub>	-	-	0.77	V	I <sub>C</sub> =10mA, V <sub>CE</sub> =5V	
DC Current Gain <sup>(1)</sup>	h <sub>FE</sub>	110	-	800	-	I <sub>C</sub> =2mA, V <sub>CE</sub> =5V	
Transition Frequency	f <sub>T</sub>	-	300	-	MHz	I <sub>C</sub> =10mA, V <sub>CE</sub> =5V, f=100MHz	
Output Capacitance	C <sub>ob</sub>	-	3.5	6	pF	V <sub>CB</sub> =10V, f=1MHz, I <sub>E</sub> =0	
Noise Figure	BC548	NF	-	2	10	dB	V <sub>CE</sub> =-5V, I <sub>C</sub> =-200μA, f=1KHz, R <sub>S</sub> =2KΩ, B=200Hz
	BC549		-	1.4	4		

(1) Pulse Test: Pulse Width ≤ 380μs, Duty Cycle ≤ 2%

Classification of h<sub>FE</sub>

Rank	A	B	C
Range	110~220	200~450	420~800