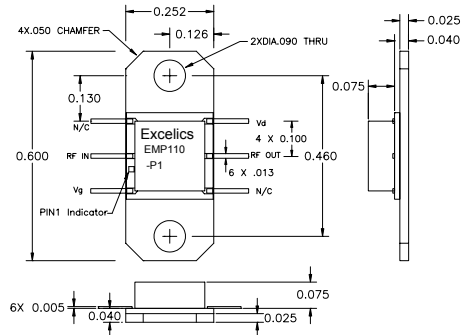


### FEATURES

- 5.8 – 8.0 GHz Operating Frequency Range
- 27.0dBm Output Power at 1dB Compression
- 19.0 dB Typical Small Signal Gain
- -40dBc OIMD3 @Each Tone Pout 17dBm

### APPLICATIONS

- Point-to-point and point-to-multipoint radio
- Military Radar Systems



Optional Packaging solutions are available  
 Contact the Excelics sales team for details.



**Caution! ESD sensitive device.**

### ELECTRICAL CHARACTERISTICS (T<sub>a</sub> = 25 °C, 50 ohm, V<sub>DD</sub>=7V, I<sub>DQ</sub>=400mA)

SYMBOL	PARAMETER/TEST CONDITIONS	MIN	TYP	MAX	UNITS
<b>F</b>	Operating Frequency Range	5.8		8.0	GHz
<b>P1dB</b>	Output Power at 1dB Gain Compression	25.5	27.0		dBm
<b>G<sub>ss</sub></b>	Small Signal Gain	17.0	19.0		dB
<b>OIMD3</b>	Output 3 <sup>rd</sup> Order Intermodulation Distortion @Δf=10MHz, Each Tone Pout 17dBm		-40		dBc
<b>Input RL</b>	Input Return Loss		-12		dB
<b>Output RL</b>	Output Return Loss		-6		dB
<b>I<sub>dss</sub></b>	Saturate Drain Current V <sub>DS</sub> =3V, V <sub>GS</sub> =0V	496	620	744	mA
<b>V<sub>DD</sub></b>	Power Supply Voltage		7	8	V
<b>R<sub>th</sub></b>	Thermal Resistance (Au-Sn Eutectic Attach)		15		°C/W
<b>T<sub>b</sub></b>	Operating Base Plate Temperature	- 35		+ 85	°C

### ABSOLUTE MAXIMUM RATINGS FOR CONTINUOUS OPERATION<sup>1,2</sup>

SYMBOL	CHARACTERISTIC	VALUE
V <sub>DS</sub>	Drain to Source Voltage	8 V
V <sub>GS</sub>	Gate to Source Voltage	- 4 V
I <sub>DD</sub>	Drain Current	I <sub>dss</sub>
I <sub>GSF</sub>	Forward Gate Current	9 mA
P <sub>IN</sub>	Input Power	@ 3dB compression
T <sub>CH</sub>	Channel Temperature	150°C
T <sub>STG</sub>	Storage Temperature	-65/150°C
P <sub>T</sub>	Total Power Dissipation	7.6W

1. Operating the device beyond any of the above rating may result in permanent damage.  
 2. Bias conditions must also satisfy the following equation  $V_{DS} * I_{DS} < (T_{CH} - T_{HS}) / R_{TH}$ ; where T<sub>HS</sub> = ambient temperature



# EMP110-P1

UPDATED: 05/08/2008

## 5.8 – 8.0 GHz Power Amplifier MMIC

### DISCLAIMER

EXCELICS SEMICONDUCTOR RESERVES THE RIGHT TO MAKE CHANGES WITHOUT FURTHER NOTICE TO ANY PRODUCTS HEREIN TO IMPROVE RELIABILITY, FUNCTION OR DESIGN. EXCELICS DOES NOT ASSUME ANY LIABILITY ARISING OUT OF THE APPLICATION OR USE OF ANY PRODUCT OR CIRCUIT DESCRIBED HEREIN.

### LIFE SUPPORT POLICY

EXCELICS SEMICONDUCTOR PRODUCTS ARE NOT AUTHORIZED FOR USE AS CRITICAL COMPONENTS IN LIFE SUPPORT DEVICES OR SYSTEMS WITHOUT THE EXPRESS WRITTEN APPROVAL OF EXCELICS SEMICONDUCTOR, INC.

AS HERE IN:

1. Life support devices or systems are devices or systems which, (a) are intended for surgical implant into the body, or (b) support or sustain life, or (c) whose failure to perform when properly used in accordance with instructions for use provided in the labeling, can be reasonably expected to result in significant injury to the user.
2. A critical component is any component of a life support device or system whose failure to perform can be reasonably expected to cause the failure of the life support device or system, or to affect its safety or effectiveness.

---

Specifications are subject to change without notice.

Excelics Semiconductor, Inc. 310 De Guigne Drive, Sunnyvale, CA 94085

Phone: 408-737-1711 Fax: 408-737-1868 Web: [www.excelics.com](http://www.excelics.com)

page 2 of 2  
Revised May 2008