

POC-196

19" Point-of-Care Terminal Featuring Intel® Core™ 2 Duo Processor

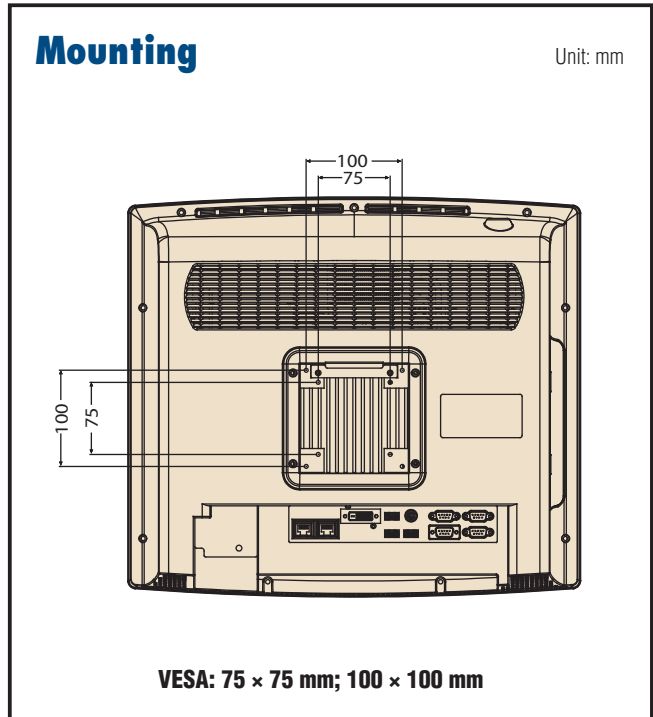
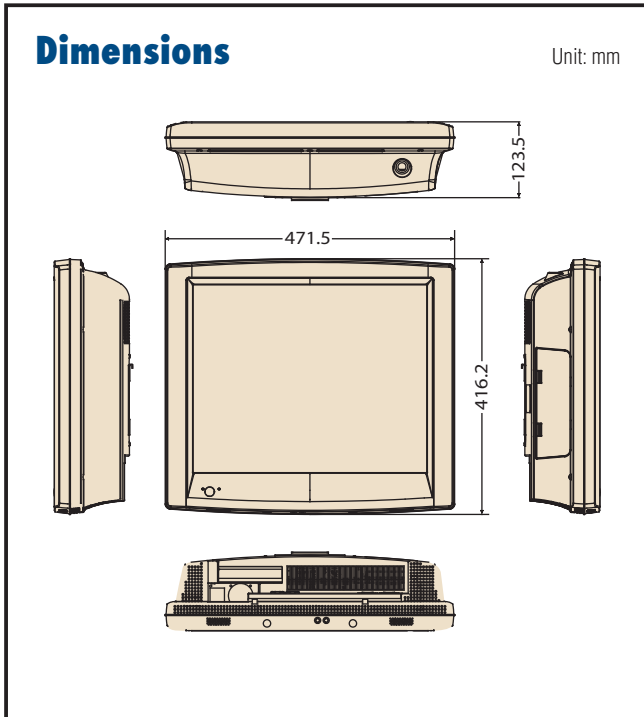


Features

- 19" LCD display
- IPX1 water resistant enclosure with additional IP65 dust-tight front panel
- UL60601-1/EN60601-1, CE & FCC Class B certified
- Smart card reader built-in
- 800 MB High speed IEEE 1394b interface
- Optional 802.11 b/g/n or 802.11 a/b/g/n module

Specifications

Computing System	Chipset	945GME/ ICH7M Chipset
	CPU	Intel Core 2 Duo processor T7400 or Intel® Celeron® M 440 processor (2.16 GHz/667 MHz 4 MB Unified 34 watts 1.1625 V-1.3 V 100° C 478µFC-PGA)
	Front Side Bus	667 MHz
	Memory	DDR2 533/667 Unbuffered Non ECC SODIMM sockets x 2 (max. 4 GB) * Due to standard PC architecture, a certain amount of memory is reserved for system usage and therefore the actual memory size is less than the stated amount.
Graphics	Controller	Intel GMA 950 Graphics technology Up to 144/224MB of DVMT for graphics memory
Expansion Slot	PCI-E	1 x mini PCI-E
	PCI	1 x PCI 2.3, accepts low profile PCI Card
Storage	HDD	1 x 2.5" SATA drive
	Optical Device	1 x DVD-RW
Ethernet	Interface	2 x Gigabit Ethernet (isolated) interfaces (RJ-45)
Identification		1 x Smart card reader
I/O Ports		2 x RS-232 (isolated), 1 x RS-232, 1x RS-232/422/485 serial port (isolated) 4 x USB 2.0 ports 1 x IEEE 1394b Port 1 x PS/2 mouse and K/B 1 x DVI-I VGA port 2 x SATA ports (internal)
Speakers		2 x 1 W speakers; 1 x MIC-in and Speaker-out
Display	Display type	19" TFT LCD.
	Max. Resolution	1280 x 1024
	Max. Colors	16.7 M (RGB 8-bit/color)
	Dot size (mm)	0.294 (per triad) x 0.294
	Viewing angle	178°/178°
	Luminance	300 cd/m ²
	Contrast ratio	1300:1
	LCD MTBF	50,000 hours
Power Supply	Backlight lifetime	50,000 hours at 6.5 mA
	AC Model	Internal ATX power supply
	Input voltage	100 ~ 240 V _{ac} , 5 ~ 3 A, @ 60 ~ 50 Hz
	Output voltage	Max. Output power : 300 W (+3.3 V & +5 V = 120 W Max) (3.3 V & +5 V & +12 V1 & +12 V2 = 281 W MAX) +3.3 V @ 16 A, +5 V @ 18 A, +12 V1 @ 16 A,+12 V2 @ 16 A, +5 Vsb @ 2.5 A, -12 V @ 0.5 A, -5 V @ 0.2 A
Optional Touchscreen	Type	Analog Resistive
	Resolution	Continuous
	Light transmission	75%
	Controller	RS-232 interface (Uses COM5)
	Durability	30 million touches
Certification		CE & FCC Class B certified
		UL60601-1, EN60601-1 approved



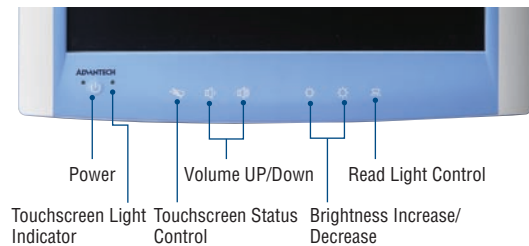
Environment	Temperature	0 ~ 40° C (32 ~ 104° F) (Operating)
	Humidity	10 ~ 95%@40 (non-condensing)
	Shock Resistance	30G peak acceleration (11ms duration)
	Power MTBF	100,000 hrs
	Water/dust Resistance	IPX1 water resistant enclosure with additional IP65 dust-tight front panel
Physical Characteristics	Dimensions (W x H x D)	471.5 x 416.2 x 123.6 mm (18.56" x 16.38" x 4.87")
	Weight	10.5 kg

Ordering Information

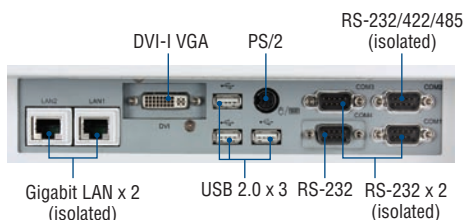
Part Number	Touch Panel	CPU	HDD	RAM
POC-196-D1A-ATE	Res. TS	T7400	-	2 GB
POC-196-C1A-ATE	Res. TS	CM 440	-	2 GB

*Optional HDD will go with T Part Number. Please contact Advantech sales for more details.

Function keys



Rear I/O



Side I/O

