

**POWER DISCRETES****Description**

Standard recovery 30A three phase full wave bridge rectifier.

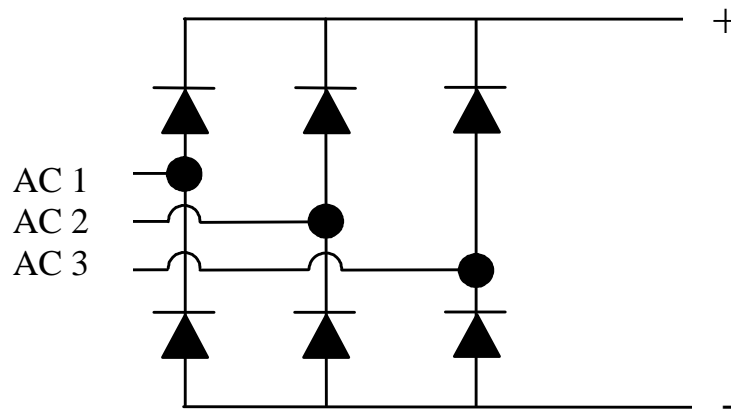
**Features**

- ◆ Low forward voltage drop
- ◆ Low reverse leakage
- ◆ Black anodized aluminum case
- ◆ Low thermal resistance  $< 1.2^{\circ} \text{ C/W}$
- ◆ Hi-Rel. screened version is similar to Mil-PRF-19500/483
- ◆ To order Hi-Rel. version place HR in front of the product name

**Applications**

Conversion of 3-phase power to DC power where high power density and rugged design is required. Typical industries are:

- ◆ Aerospace
- ◆ Military
- ◆ High end industrial

**Block Diagram**

**POWER DISCRETES**
**Absolute Maximum Ratings**

Part Number	Working Reverse Voltage	Average Rectifier Current $I_{F(AV)}$						1 Cycle Surge Current $I_{FSM}$ @ $t_p = 8.3mS$	
		@ case temperature			@ ambient temperature			25°C	100°C
		55°C	100°C	125°C	25°C	55°C	100°C		
		Volts	Amps	Amps	Amps	Amps	Amps	Amps	Amps
SC6BA2	200	30	20	10	10	7	5	250	125
SC6BA4	400								
SC6BA6	600								
SC6BA8	800								

**Electrical Specifications**

Part Number	Reverse Leakage Current $I_R$ @ $V_{RWM}$		Maximum Forward Voltage $V_F$ @ 39A/leg @ 25°	Maximum Reverse Recovery Time <sup>(1)</sup> $T_A$ @ 25°C	Maximum Operational and Storage Temperatures $T_{OP}$ $T_{STG}$
	@ 25°C	@ 100°C			
	µA	µA			
SC6BA2	1.0	100	1.3	2.0	-65 to +150
SC6BA4					
SC6BA6					
SC6BA8					

(1) Measured on discrete devices prior to assembly

**Ordering Information**

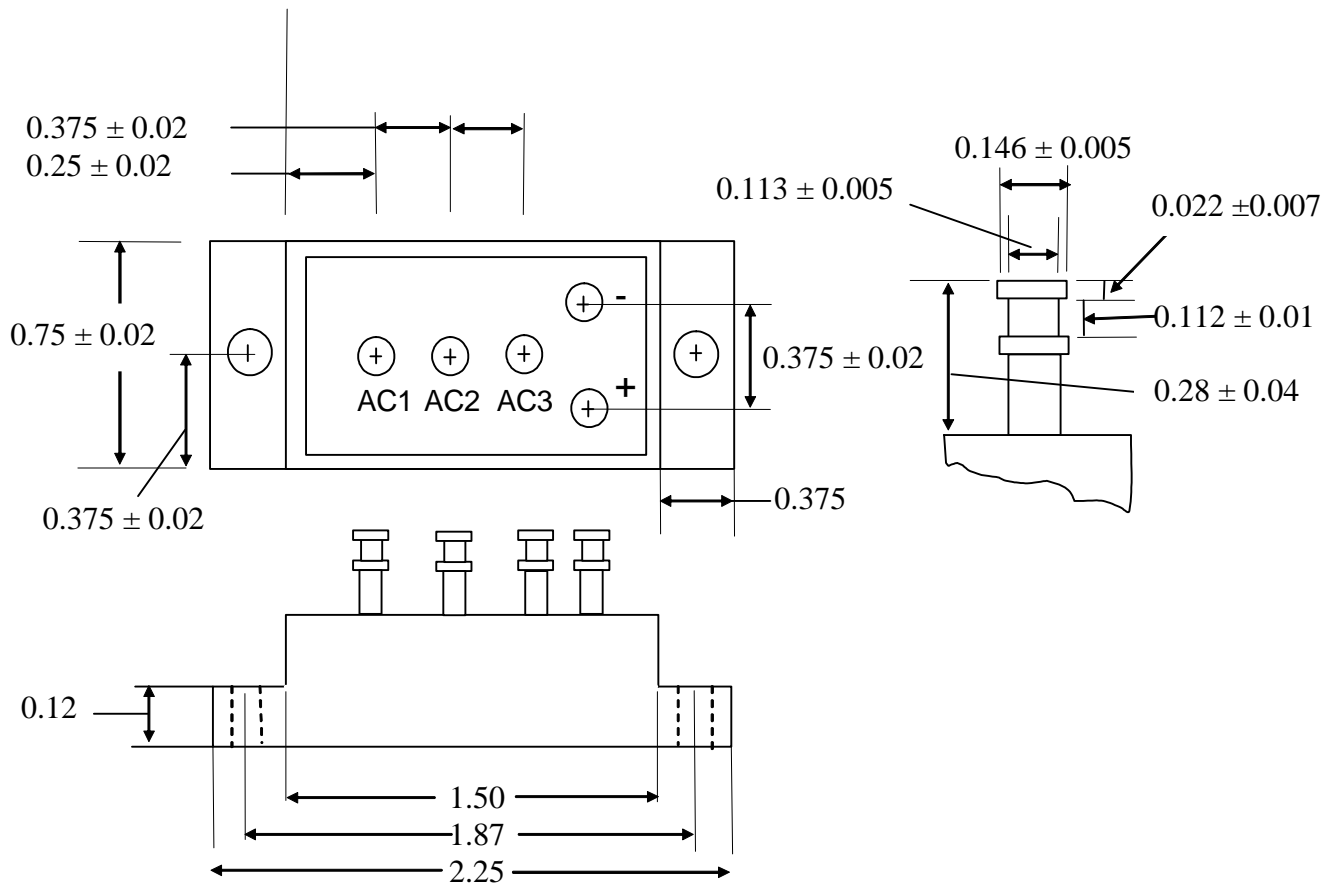
Part Number	Description
SC6BA2, SC6BA4, SC6BA6, SC6BA8 <sup>(1)</sup>	Standard Recovery 3-Phase full wave bridge rectifier assembly
HRSC6BA2, HRSC6BA4, HRSC6BA6, HRSC6BA8 <sup>(1)(2)</sup>	

**Note:**

- (1) Available in trays. Please consult factory for quantity.
- (2) Hi-Rel. screened version is similar to Mil-PRF-19500/483.

**POWER DISCRETES**
**Outline Drawing**

(Dimensions in inches)



Note: Unless otherwise stated tolerance is ± 0.03

**Contact Information**

Semtech Corporation  
 Power Discretes Products Division  
 200 Flynn Road, Camarillo, CA 93012  
 Phone: (805)498-2111 FAX (805)498-3804