

PLEASE CHECK WWW.MOLEX.COM FOR LATEST PART INFORMATION

Part Number: [0015060146](#)
Status: **Active**
Overview: [minifit_bmi](#)
Description: 4.20mm (.165") Pitch Mini-Fit BMI™ Plug Housing, Dual Row with Panel Mount Ears, PA Polyamide Nylon 6/6, UL 94V-0, 14 Circuits

Documents:

[3D Model](#) [Product Specification PS-5556-002 \(PDF\)](#)
[Drawing \(PDF\)](#) [RoHS Certificate of Compliance \(PDF\)](#)

Agency Certification

CSA LR19980
 UL E29179

General

Product Family Crimp Housings
 Series [42475](#)
 Comments Current = 13A max. per circuit when header is mated to a receptacle loaded with [45750](#) series terminals crimped to 16 AWG wire. . See Molex product specification PS-45750-001 for additional current derating information.

Overview [minifit_bmi](#)
 Product Name Mini-Fit BMI™

Physical

Circuits (maximum) 14
 Color - Resin Natural
 Flammability 94V-0
 Gender Male
 Glow-Wire Compliant No
 Lock to Mating Part Yes
 Material - Resin Nylon
 Number of Rows 2
 Packaging Type Bag
 Panel Mount Yes
 Pitch - Mating Interface (in) 0.165 In
 Pitch - Mating Interface (mm) 4.20 mm
 Polarized to Mating Part Yes
 Stackable No
 Temperature Range - Operating -40°C to +105°C

Electrical

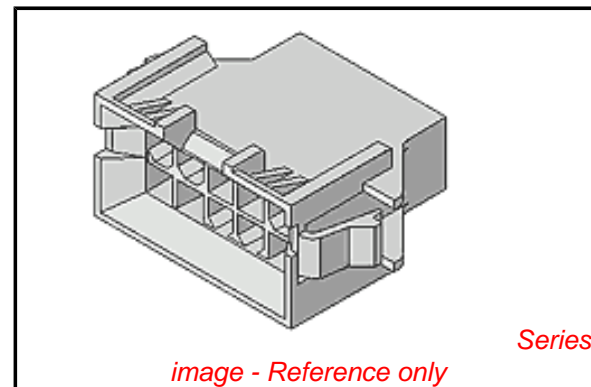
Current - Maximum per Contact 13A

Material Info

Old Part Number 42475-1421

Reference - Drawing Numbers

Packaging Specification PK-42474-001
 Product Specification PS-5556-002
 Sales Drawing SD-42475-***1
 Test Summary TS-5556-002



EU RoHS

ELV and RoHS Compliant
REACH SVHC
 Not Reviewed
Halogen-Free Status

China RoHS



Need more information on product environmental compliance?

Email productcompliance@molex.com
 For a multiple part number RoHS Certificate of Compliance, [click here](#)

Please visit the [Contact Us](#) section for any non-product compliance questions.

Search Parts in this Series

[42475Series](#)

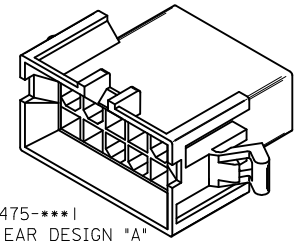
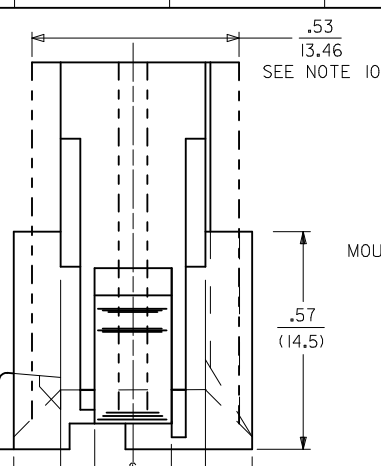
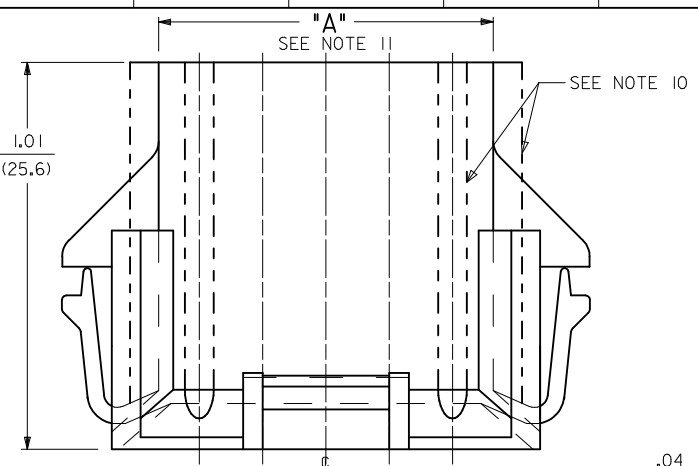
Mates With

[15-06-0141](#) Mini-Fit BMI Panel Mount Receptacle, [42385](#) Mini-Fit BMI 14 Circuit, UL 94V-0 Vertical Receptacle Headers, [44475-1421](#) Mini-Fit BMI HCS Vertical Receptacle Header, [39-01-2145](#) Mini-Fit Jr. Receptacle

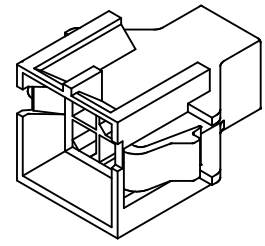
Use With

[46012](#) Mini-Fit Plus HCS™ Crimp Terminal, [5558](#) Mini-Fit™ Crimp Terminal

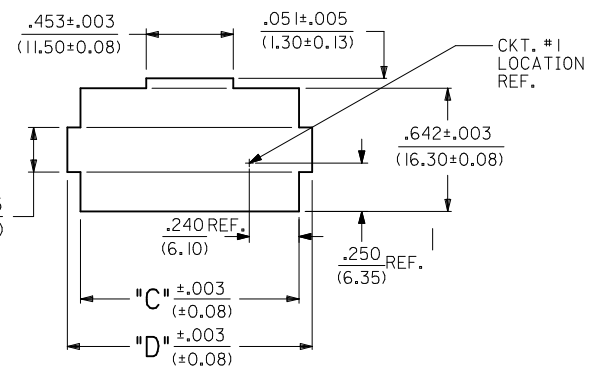
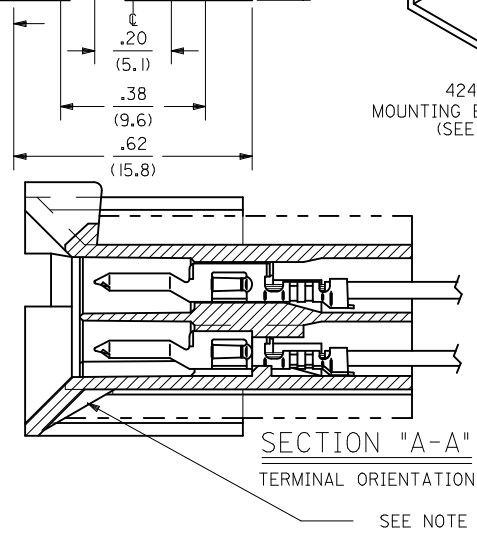
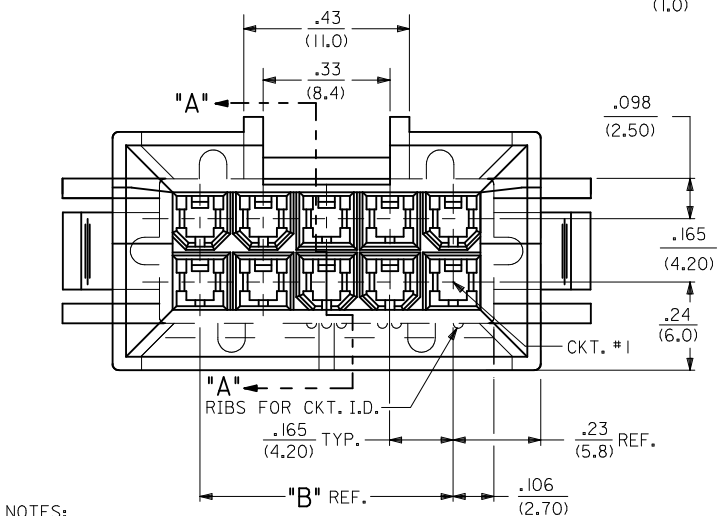
PLEASE CHECK WWW.MOLEX.COM FOR LATEST PART INFORMATION



42475-***1
MOUNTING EAR DESIGN "A"
(SEE NOTE 9)



42475-***1
MOUNTING EAR DESIGN "B"
(SEE NOTE 9)



RECOMMENDED CUT-OUT FOR .063/(1.60)
MAX. THICK P.C. BOARD. (6-24 CKT.'S.)
SCALE: 2X

CIRCUIT SIZE	DIM. "A"	DIM. "B"	DIM. "C"	DIM. "D"
6	.54 (13.8)	.33 (8.4)	.807 (20.50)	.945 (24.00)
8	.71 (18.0)	.50 (12.6)	.972 (24.70)	1.110 (28.20)
10	.87 (22.2)	.66 (16.8)	1.138 (28.90)	1.276 (32.40)
12	1.04 (26.4)	.83 (21.0)	1.303 (33.10)	1.441 (36.60)
14	1.20 (30.6)	.99 (25.2)	1.469 (37.30)	1.606 (40.80)
16	1.37 (34.8)	1.16 (29.4)	1.643 (41.50)	1.772 (45.00)
18	1.54 (39.0)	1.32 (33.6)	1.799 (45.70)	1.937 (49.20)
20	1.70 (43.2)	1.49 (37.8)	1.965 (49.90)	2.102 (53.40)
22	1.87 (47.4)	1.65 (42.0)	2.130 (54.10)	2.268 (57.60)
24	2.03 (51.6)	1.82 (46.2)	2.295 (58.30)	2.433 (61.80)

NOTES:

- MATERIAL:
 - 1 = NYLON (PA6/6), UNFILLED, UL94 V-2, COLOR: NATURAL
 - 2 = NYLON (PA6/6), UNFILLED, UL94 V-0, COLOR: NATURAL
 - 3 = NYLON (PA6/6), UNFILLED, UL94 V-2, COLOR: BLACK
 - 4 = NYLON (PA6/6), UNFILLED, UL94 V-0, COLOR: BLACK
- FINISH NOT APPLICABLE.
- THIS PART CONFORMS TO MOLEX PRODUCT SPEC. NO. PS-5556-002.
- PACKAGING: PK-42474-001
- 6-24 CKT. PARTS MATE WITH MOLEX RECEPTACLES 5557, 42385 AND 42474. 2 AND 4 CKT. PARTS MATE WITH 42385 AND 42474 ONLY.
- PART IS FOR USE WITH MALE TERMINAL #5558.
- PART ALLOWS FOR UP TO .100/(2.54) MISALIGNMENT WITH MATING RECEPTACLE IN ANY DIRECTION. SEE MATING CONNECTOR DRAWINGS FOR SPECIFIC ALLOWANCES.
- PANEL CUT-OUT TO BE PUNCHED IN THE SAME DIRECTION AS CONNECTOR INSERTION.
- PARTS MANUFACTURED AFTER 95/12/31 MAY HAVE MOUNTING EAR DESIGN "B" PARTS WITH MOUNTING EAR DESIGN "A" WILL BE OBSOLETE AS TOOL LIFE DICTATES. IN SOME CASES, PARTS MAY BE AVAILABLE WITH BOTH MOUNTING EAR DESIGNS. SEE CHART ON SHEET 4 FOR SPECIFIC EAR DESIGN AVAILABILITY.

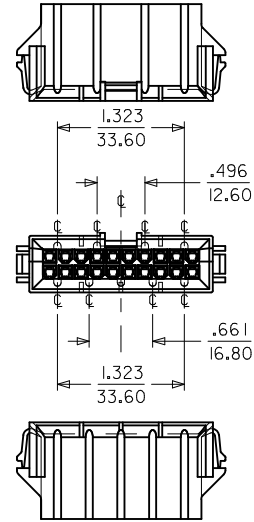
- FOR MANUFACTURING EASE PARTS MAY HAVE OPTIONAL EJECTOR RIBS. SEE SHT. 3 FOR LOCATION.
- DIMENSION DOES NOT INCLUDE EJECTOR RIBS (SEE PAGE #3 FOR PARTS WITH RIBS, RIB DIMENSIONS AND LOCATION).
- IF THIS PRODUCT IS STORED IN AN ENVIRONMENT WITH A RELATIVE HUMIDITY OF LESS THAN 50%, MOISTURE MUST BE ADDED. REFER TO TECHNICAL ADVISORY AS-45499-001 FOR INSTRUCTIONS.
- INTERIOR RIB LOCATION MAY VARY.

- CONNECTOR ASSEMBLIES ARE NOT TO BE MATED OR UNMATED WHILE CIRCUITS ARE LIVE.
- WIRES ARE TO BE DRESSED IN SUCH A MANNER TO ALLOW THE TERMINALS TO FLOAT FREELY IN THE POCKET.
- PART CONFORMS TO CLASS "B" REQUIREMENTS OF COSMETIC SPECIFICATION PS-45499-022.

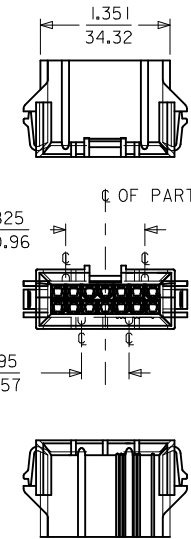
4	S7
3	S7
2	S6
1	S7
SHEET REV	

ADD -0641 EC NO: UCP2010-3048 DRWNG: JAGUILAR 2010/05/28 CHKD: J.BELL 2010/05/28 APPR: FSMITH 2010/06/11 REV: S7	QUALITY SYMBOLS	GENERAL TOLERANCES (UNLESS SPECIFIED)	DIMENSION STYLE IN/MM	SCALE 4:1	DESIGN UNITS METRIC	THIRD ANGLE PROJECTION
	▽=0	mm INCH	DRAWN BY DATE GEP 1989/07/18	TITLE PLUG HOUSING B.M.I. 2-24 CIRCUITS MINI-FIT SERIES	MOLEX INCORPORATED DOCUMENT NO. SD-42475-***1 SHEET NO. 1 OF 4	THIS DRAWING CONTAINS INFORMATION THAT IS PROPRIETARY TO MOLEX INCORPORATED AND SHOULD NOT BE USED WITHOUT WRITTEN PERMISSION
	▽=0	4 PLACES ± --- ± --- 3 PLACES ± --- ± .010 2 PLACES ± 0.25 ± .015 1 PLACE ± 0.38 ± --- ANGULAR ± 1/2°	CHECKED BY DATE R.J.F. 1989/07/18			
	▽=0	DRAFT WHERE APPLICABLE MUST REMAIN WITHIN DIMENSIONS	APPROVED BY DATE FSMITH 2010/03/17	SEE SHEET 4		

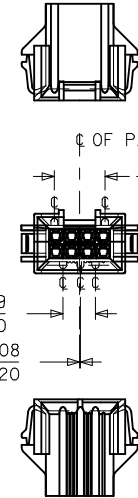
SEE SHEET 2 FOR 2 & 4 CKT. PARTS



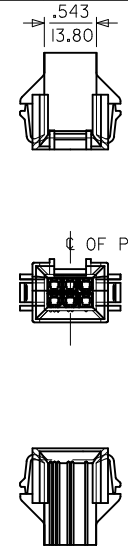
20 CIRCUIT



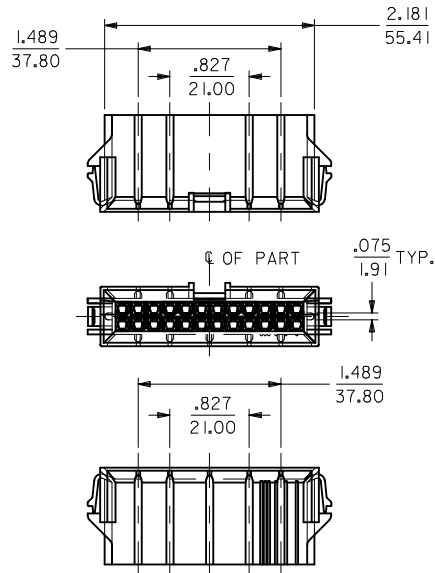
OR



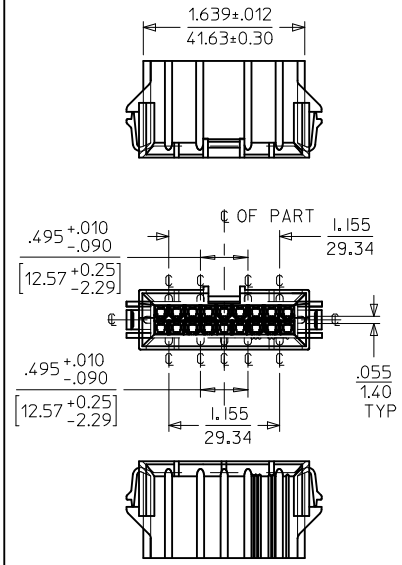
8 CIRCUIT



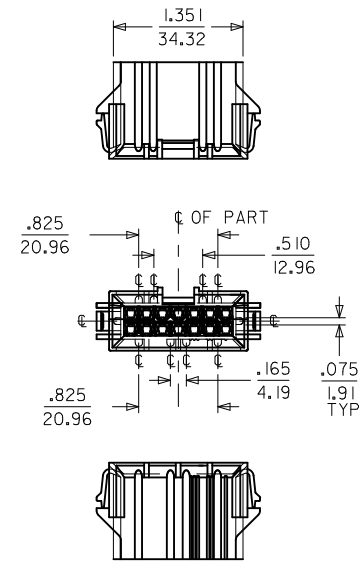
6 CIRCUIT



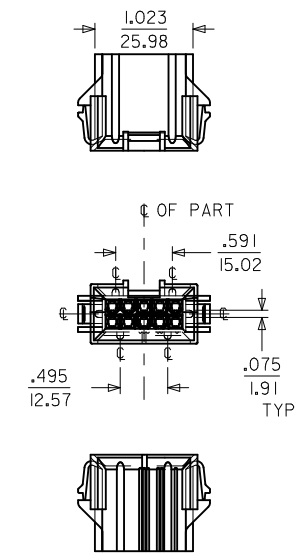
24 CIRCUIT



18 CIRCUIT



14 CIRCUIT



10 CIRCUIT

NOTES:

1) DIMENSIONS GIVEN ACROSS CENTERLINES ARE SYMMETRICAL ABOUT THOSE CENTERLINES WITHIN HALF THE TOTAL TOLERANCE.

SEE SHEET 1	QUALITY SYMBOLS
EC NO: UCP2010-3048	▽=0
DRWN: JAGUILAR	▽=0
CHKD: J BELL	▽=0
APPR: F SMITH	
REV	

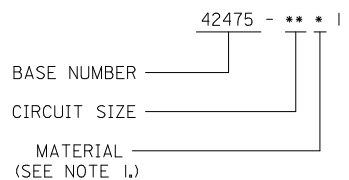
GENERAL TOLERANCES (UNLESS SPECIFIED)	ANGLE
mm	INCH
4 PLACES ± ---	± ---
3 PLACES ± ---	± .010
2 PLACES ± 0.25	± .015
1 PLACE ± 0.38	± ---
ANGULAR ± 1/2°	
DRAFT WHERE APPLICABLE MUST REMAIN WITHIN DIMENSIONS	

DIMENSION STYLE		SCALE	DESIGN UNITS
IN/MM		---	METRIC
DRAWN BY	DATE	TITLE	
CM	1998/04/16	PLUG HOUSING B.M.I	
CHECKED BY	DATE	2-24 CIRCUITS	
MAB	1998/04/16	MINI-FIT SERIES	
APPROVED BY	DATE	MATERIAL NO.	
RE	1998/04/16	DOCUMENT NO.	
SEE SHEET 4		SD-42475-***1	

THIRD ANGLE PROJECTION	
Molex MOLEX INCORPORATED	
SHEET NO.	3 OF 4
THIS DRAWING CONTAINS INFORMATION THAT IS PROPRIETARY TO MOLEX INCORPORATED AND SHOULD NOT BE USED WITHOUT WRITTEN PERMISSION	

	13	12	11	10	9	8	7	6	5	4	3	2	1	
	PART NUMBER	ENG. NUMBER	CKT. SIZE	MATERIAL (SEE NOTE 1.)	PART NUMBER	CKT. SIZE	MATERIAL (SEE NOTE 1.)	MOUNTING EAR TYPE		42475-***2I, 5558-GS*	42474-***2I, 5556-PBGS*P	94V-0		
								CKT. SIZE	DESIGN A, DESIGN B (SEE SHEET I)	42475-***1I, 5558-GS*	42474-***1I, 5556-PBGS*P	94V-2	PHOS. BRZ.	GOLD
J	NOT TOOLED	42475-021I	2	I	NOT TOOLED	2	3			42475-***2I, 5558-GS*	42474-***2I, 5556-GS*P	94V-0		
	I5-06-0045	42475-041I	4	↑	42475-043I	4	↑	2	N/A	42475-***1I, 5558-GS*	42474-***1I, 5556-GS*P	94V-2	BRASS	GOLD
	I5-06-0065	42475-061I	6		42475-063I	6		4	B	42475-***2I, 5558-PBS*	42474-***2I, 5556-PBS*P	94V-0	PHOS. BRZ.	TIN
	I5-06-0085	42475-081I	8		42475-083I	8		6	B	42475-***2I, 5558-S*	42474-***2I, 5556-S*P	94V-0	BRASS	TIN
I	I5-06-0105	42475-101I	10		42475-103I	10		8	A	42475-***1I, 5558-S*	42474-***1I, 5556-S*P	94V-2	PHOS. BRZ.	GOLD
	NOT TOOLED	42475-121I	12		NOT TOOLED	12		10	B	42475-***2I, 5558-GS*	A-42385-***D2	94V-0		
	I5-06-0145	42475-141I	14		42475-143I	14		12	N/A	42475-***1I, 5558-GS*	A-42385-***C2	94V-2	PHOS. BRZ.	GOLD
	NOT TOOLED	42475-161I	16		NOT TOOLED	16		14	B	42475-***2I, 5558-GS*	A-42385-***B2	94V-0	BRASS	GOLD
H	I5-06-0185	42475-181I	18		42475-183I	18		16	N/A	42475-***1I, 5558-GS*	A-42385-***A2	94V-2		
	I5-06-0205	42475-201I	20		42475-203I	20		18	A & B	42475-***2I, 5558-PBS*	A-42385-***D1	94V-0	PHOS. BRZ.	TIN
	NOT TOOLED	42475-221I	22		NOT TOOLED	22		20	A	42475-***1I, 5558-PBS*	A-42385-***C1	94V-2		
	I5-06-0245	42475-241I	24	I	42475-243I	24	3	22	N/A	42475-***2I, 5558-S*	A-42385-***B1	94V-0	BRASS	TIN
								24	B	42475-***1I, 5558-S*	A-42385-***A1	94V-2		
										PLUG HOUSING/ MALE TERMINAL	MATING CONNECTOR	HSG. MAT'L. MATING CONNECTOR FEATURES	TERM. MAT'L.	PLATING
G	NOT TOOLED	42475-022I	2	2	NOT TOOLED	2	4							
	I5-06-0046	42475-042I	4	↑	42475-044I	4	↑							
	I5-06-0066	42475-062I	6		42475-064I	6								
F	50-36-2323	42475-082I	8		42475-084I	8								
	I5-06-0106	42475-102I	10		42475-104I	10								
	NOT TOOLED	42475-122I	12		NOT TOOLED	12								
	I5-06-0146	42475-142I	14		42475-144I	14								
E	NOT TOOLED	42475-162I	16		NOT TOOLED	16								
	I5-06-0186	42475-182I	18		42475-184I	18								
	I5-06-0206	42475-202I	20		42475-204I	20								
	NOT TOOLED	42475-222I	22		NOT TOOLED	22								
D	I5-06-0246	42475-242I	24	2	42475-244I	24	4							

LEGEND:



ADD -0641 EC NO: UCP2010-3048 DRWN: JAGUILAR 2010/05/28 CHKD: J.BELL 2010/05/28 APPR: FSMITH 2010/06/11	QUALITY SYMBOLS	GENERAL TOLERANCES (UNLESS SPECIFIED)	DIMENSION STYLE	SCALE	DESIGN UNITS	THIRD ANGLE PROJECTION
	▽=0	mm INCH	IN/MM	---	METRIC	
	▽=0	4 PLACES ± --- ± ---	DRAWN BY DATE	TITLE		
	▽=0	3 PLACES ± --- ± .010	GEP 1989/07/18	PLUG HOUSING B.M.I. 2-24 CIRCUITS, MINI-FIT SERIES		
	2 PLACES ± 0.25 ± .015	CHECKED BY DATE	MOLEX MOLEX INCORPORATED			
	1 PLACE ± 0.38 ± ---	RJF 1989/07/18	SD-42475-***1			
	ANGULAR ± 1/2°	APPROVED BY DATE	SHEET NO.			
		RAS 1989/07/18	4 OF 4			
		MATERIAL NO.	DOCUMENT NO.			
		SEE CHART	THIS DRAWING CONTAINS INFORMATION THAT IS PROPRIETARY TO MOLEX INCORPORATED AND SHOULD NOT BE USED WITHOUT WRITTEN PERMISSION			
		DRAFT WHERE APPLICABLE MUST REMAIN WITHIN DIMENSIONS				