

PLEASE CHECK WWW.MOLEX.COM FOR LATEST PART INFORMATION

Part Number: [0365350001](#)
Status: **Active**
Overview: [MLX](#)
Description: MLX Crimp Terminal 42024, 14-16 AWG, Reel, Tin (Sn)

Documents:

[Drawing \(PDF\)](#) [RoHS Certificate of Compliance \(PDF\)](#)
[Product Specification PS-42022-0001 \(PDF\)](#)

General

Product Family	Crimp Terminals
Series	36535
Crimp Quality Equipment	Yes
Overview	MLX
Product Name	MLX™

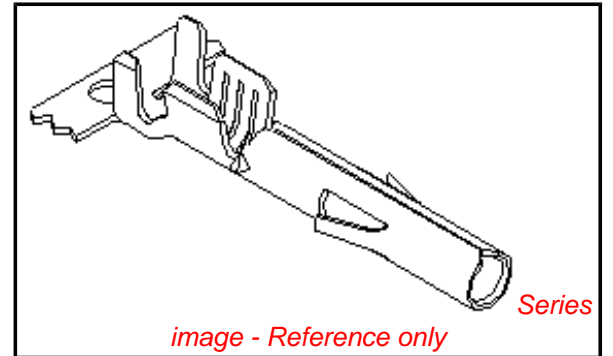
Physical

Gender	Female
Material - Metal	Brass
Material - Plating Mating	Tin
Material - Plating Termination	Tin
Packaging Type	Reel
Plating min: Mating (µin)	20
Plating min: Mating (µm)	0.50
Plating min: Termination (µin)	20
Plating min: Termination (µm)	0.50
Termination Interface: Style	Crimp or Compression
Wire Insulation Diameter	5.10mm (.201") max.
Wire Size AWG	14, 16
Wire Size mm²	1.30 TO 2.00

Material Info

Reference - Drawing Numbers

Product Specification	PS-42022-0001
Sales Drawing	SD-36535-001



EU RoHS

**ELV and RoHS
Compliant**
**REACH SVHC
Contains SVHC: No**
**Halogen-Free
Status**

China RoHS



**Need more information on product
environmental compliance?**

Email productcompliance@molex.com
 For a multiple part number RoHS Certificate of Compliance, [click here](#)

Please visit the [Contact Us](#) section for any non-product compliance questions.

Search Parts in this Series

[36535Series](#)

Use With

[42021](#) Receptacle

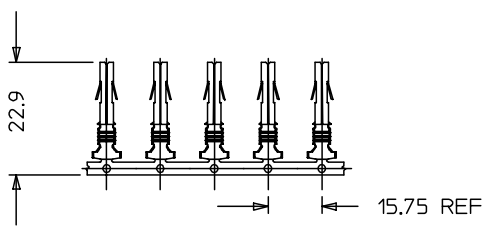
Application Tooling | FAQ

Tooling specifications and manuals are found by selecting the products below. Crimp Height Specifications are then contained in the Application Tooling Specification document.

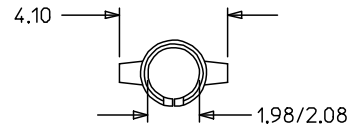
Global

Description	Product #
T2 Terminator Die	0638533000
FineAdjust™ Applicator	0638633000
Hand Crimp Tool For MLX Crimp Terminals	0638199500

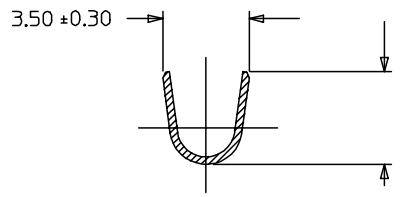
MATERIAL NO.	FINISH	WIRE SIZE	INSULATION DIA	PACKAGING METHOD
36535-0001	SEE NOTE 2	#16-13 AWG	5.10 MAX	CHAIN
36535-0002	SEE NOTE 2	#16-13 AWG	5.10 MAX	LOOSE



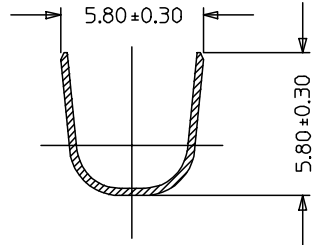
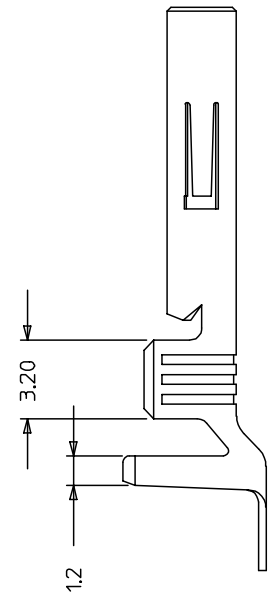
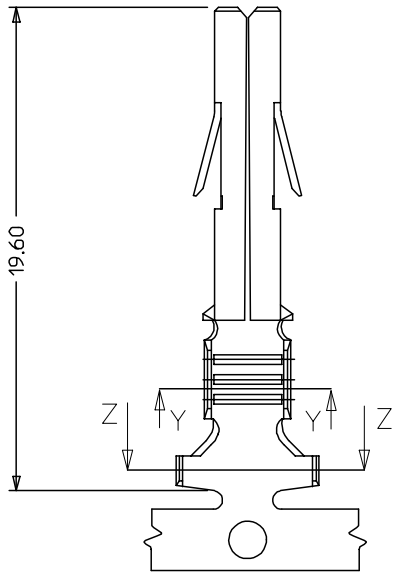
TERMINALS
IN CHAIN FORM
SCALE 1:1



- NOTES:
 1) MATERIAL: BRASS
 2) FINISH: HOT TIN DIP, THICKNESS=0.51 MICROMETER
 3) SOCKET TERMINALS FOR USE WITH THE 0.084/(2.13) SERIES HOUSINGS
 PLUG (42021-**) CAP (42022-**))
 4) CRIMP RANGE SEE CHART
 5) PRODUCT SPECIFICATION PS-42022-0001 APPLIES



SECTION Y-Y 5:1
WIRE CRIMP AREA



SECTION Z-Z 5:1
INSULATION CRIMP AREA

ENTER DESCRIPTION EC NO: 12005-0019 DRWN:SSUDHIR 2004/07/07 CHKD:DGDATA 2004/07/07 APPR:DGDATA 2004/07/08	QUALITY SYMBOLS ▽ = 0 ∇ = 0
---	-----------------------------------

GENERAL TOLERANCES (UNLESS SPECIFIED)	mm	INCH
	4 PLACES ± ---	± ---
	3 PLACES ± ---	± ---
	2 PLACES ± 0.25	± ---
	1 PLACE ± 0.38	± ---
	ANGULAR ± 2 °	
DRAFT WHERE APPLICABLE MUST REMAIN WITHIN DIMENSIONS		

SCALE 5:1	DESIGN UNITS METRIC
DIMENSION STYLE MM ONLY	
DRAWN BY SSUDHIR	DATE 2004/05/24
CHECKED BY DGDATA	DATE 2004/05/24
APPROVED BY DGDATA	DATE 2004/05/24

THIRD ANGLE PROJECTION	REVISE ON CAD ONLY
TITLE TERMINAL SOCKET MLX #13-16 AWG 5.08 INS DIA	
MOLEX INCORPORATED	
MATERIAL NO. SEE CHART	DOCUMENT NO. SD-36535-001
SHEET NO. 1 OF 1	
THIS DRAWING CONTAINS INFORMATION THAT IS PROPRIETARY TO MOLEX INCORPORATED AND SHOULD NOT BE USED WITHOUT WRITTEN PERMISSION	