

PLEASE CHECK WWW.MOLEX.COM FOR LATEST PART INFORMATION

Part Number: [0506541001](#)
Status: **Active**
Description: 1.01mm (.040") Tab-Type Female Crimp Terminal, Low Insertion Force Type, Tin Plated, AVS (CAV) 0.3, 0.5, 0.85mm²;

Documents:

[Drawing \(PDF\)](#) [RoHS Certificate of Compliance \(PDF\)](#)
[Product Specification PS-50654-001 \(PDF\)](#)

General

Product Family	Crimp Terminals
Series	50654
Crimp Quality Equipment	Yes
Product Name	N/A

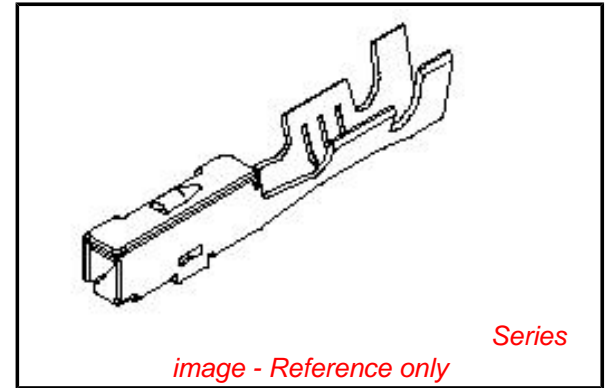
Physical

Gender	Female
Material - Metal	Copper-Nickel-Silicon
Material - Plating Mating	Tin
Material - Plating Termination	Tin
Packaging Type	Reel
Plating min: Mating (µin)	32.00
Plating min: Mating (µm)	0.800
Plating min: Termination (µin)	32.00
Plating min: Termination (µm)	0.80
Termination Interface: Style	Crimp or Compression
Wire Insulation Diameter	1.10-2.10mm (.043-.083")
Wire Size AWG	N/A
Wire Size mm ²	AVS (CAVS) 0.3, AVS (CAVS) 0.5, AVS (CAVS) 0.85

Material Info

Reference - Drawing Numbers

Product Specification	PS-50654-001
Sales Drawing	SD-50654-1***



EU RoHS

**ELV and RoHS
Compliant**
**REACH SVHC
Contains SVHC: No**
**Halogen-Free
Status**

China RoHS



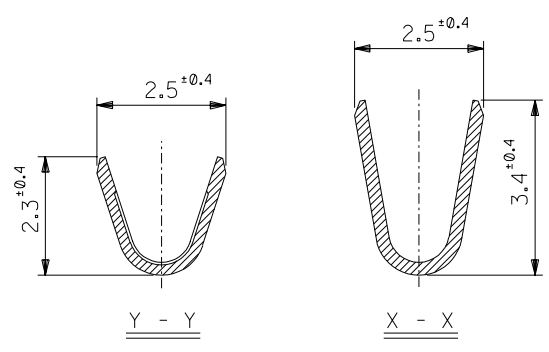
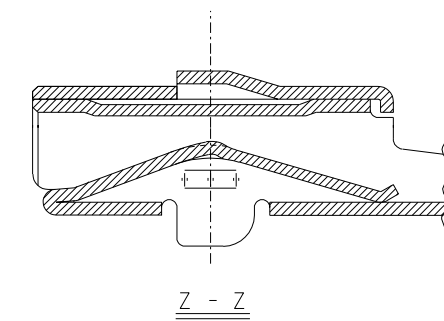
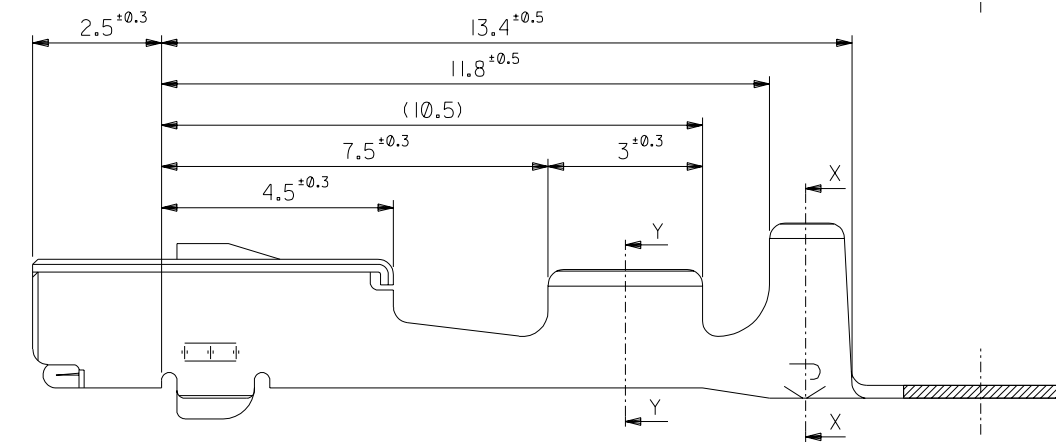
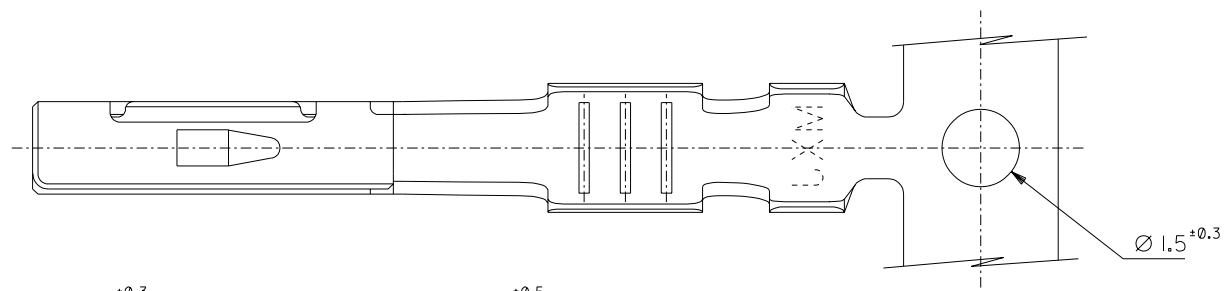
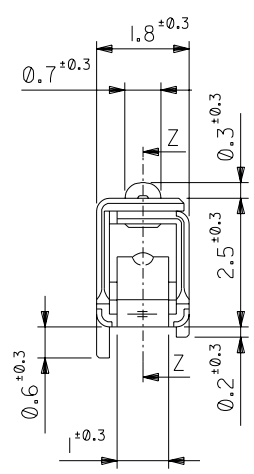
**Need more information on product
environmental compliance?**

Email productcompliance@molex.com
 For a multiple part number RoHS Certificate of Compliance, [click here](#)

Please visit the [Contact Us](#) section for any non-product compliance questions.

Search Parts in this Series
 50654Series

Use With
 68508-0811 Housing



注記
NOTES

1. 材料：コルソン系銅合金、錫メッキ材 (t = 0.25)
MATERIAL : PRE-TINNED CORSON COPPER ALLOY (t = 0.25)
2. 適用電線：APPLICABLE WIRE RANGE
AVS-0.3, CAV-0.3, CAVUS-0.3
AVS-0.5, CAV-0.5, CAVUS-0.5
CAV-0.85, CAVUS-0.85

角度 ANGLE	±3°				材料 MATERIAL 注記2 参照 SEE NOTE 2
30 以上 OVER	+0.3				仕上げ FINISH
10 以上 OVER 30 未満 UNDER	+0.25	A	変更 REVIS (JA90078)	H.K. T.I	適用電線範囲 注記3 参照 WIRE RANGE SEE NOTE 3
10 未満 UNDER	+0.2	0	新規作成 RELEASED (JA70152)	H.K. T.I	被覆外径 INS. RANGE Ø1.1-2.1
一般公差 GENERAL TOLERANCES		記号 LTR	変更内容 REVISION RECORD	DR. CHK. DATE	DRAWN BY '97/5/12 H.K. KOMATSU CHK'D BY '99/1/22 T.ITO

50654-1001	連鎖状 CHAIN
製品番号 ENG. NO.	端子形状 FORM

MOLEX-JAPAN CO.,LTD. 日本モレックス株式会社	
REVISE ONLY ON CAD SYSTEM	
TITLE 名称 1.0(Ø40)SR CRIMP RECEPTACLE	
DWG. NO. SD-50654-1***	REV A