

PLEASE CHECK WWW.MOLEX.COM FOR LATEST PART INFORMATION

Part Number: **0546791619**
Status: **Active**
Description: 1.25mm (.049") Pitch Small MGC (Multi-Ground Connector) Panel Mount Receptacle Housing Adapter, Polarizing Key 2.00mm (.079") Left From the Center

Documents:

[3D Model](#) [Product Specification PS-54678-007 \(PDF\)](#)
[Drawing \(PDF\)](#) [RoHS Certificate of Compliance \(PDF\)](#)

General

Product Family	Accessories
Series	54679
Component Type	Adapter
Product Name	Small MGC

Physical

Circuits (Loaded)	16
Color - Resin	Gray
Gender	Female
Material - Plating Mating	Gold
Material - Plating Termination	Tin
Material - Resin	Polyester
Number of Rows	2
Packaging Type	Tray
Plating min: Mating (µin)	4
Plating min: Mating (µm)	0.1
Plating min: Termination (µin)	40
Plating min: Termination (µm)	2
Polarized to Mating Part	Yes
Temperature Range - Operating	-20°C to +80°C
Termination Interface: Style	N/A, Through Hole

Electrical

Current - Maximum per Contact	1.5A
-------------------------------	------

Material Info

Reference - Drawing Numbers

Product Specification	PS-54678-007
Sales Drawing	SD-54679-004

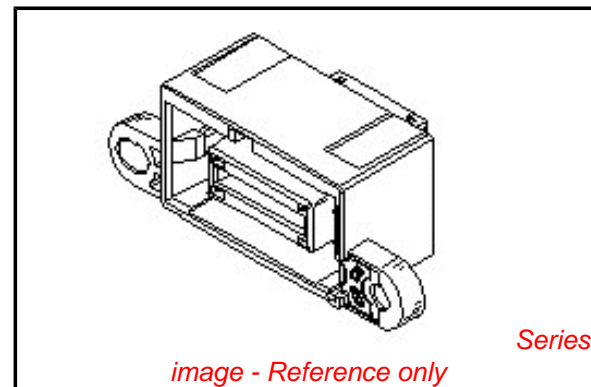


image - Reference only

EU RoHS

**ELV and RoHS
Compliant**
**REACH SVHC
Contains SVHC: No
Halogen-Free
Status**

China RoHS



**Need more information on product
environmental compliance?**

Email productcompliance@molex.com
 For a multiple part number RoHS Certificate of Compliance, [click here](#)

Please visit the [Contact Us](#) section for any non-product compliance questions.

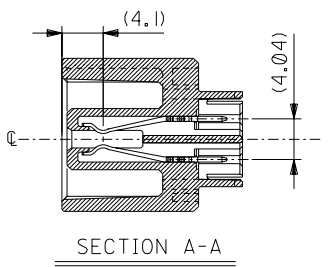
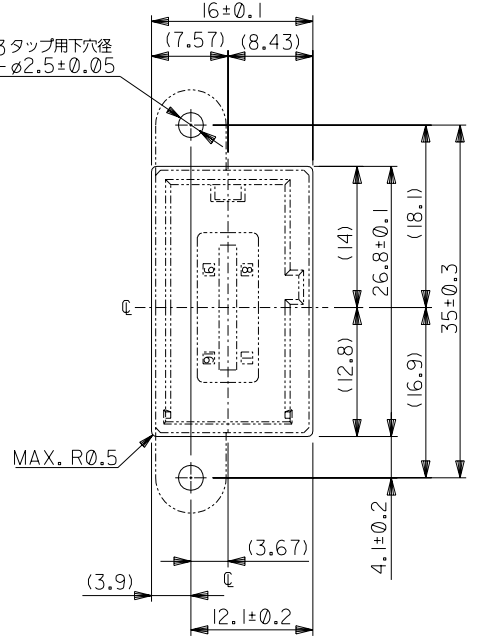
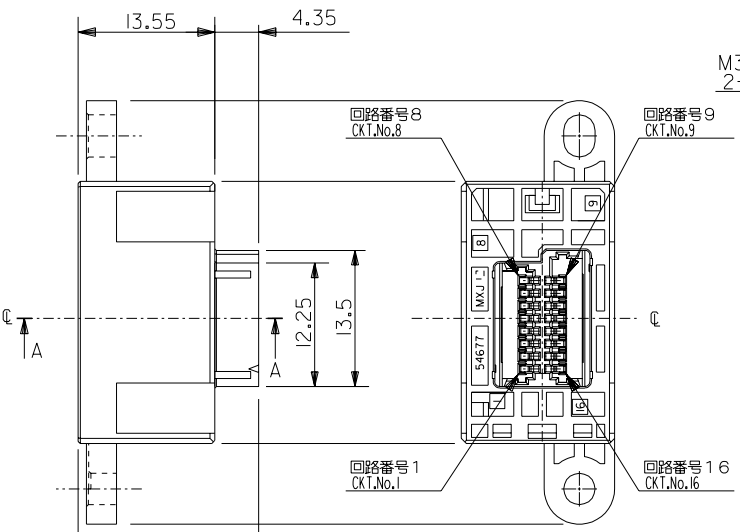
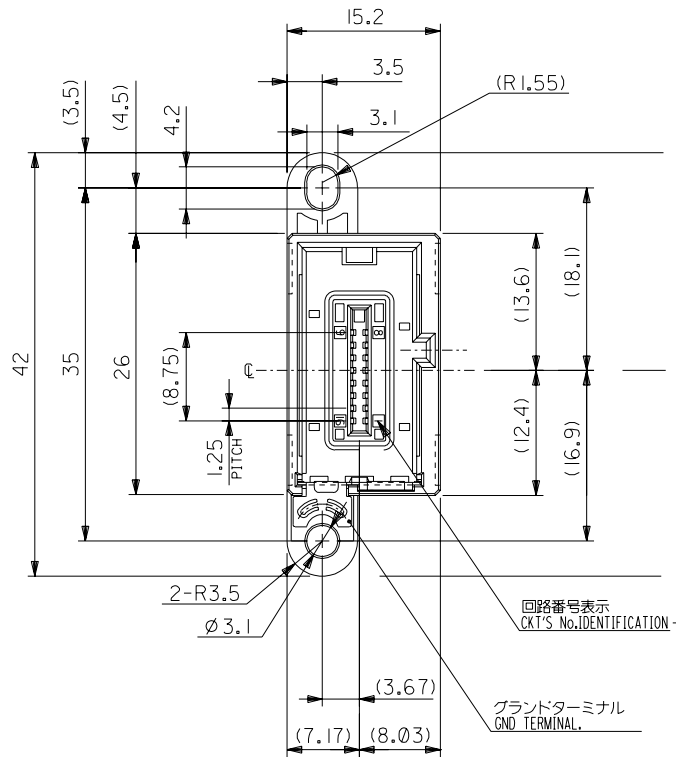
Search Parts in this Series

[54679Series](#)

Use With

[54596 Series](#)

DWG. NO.
SD-54679-004



中継取り付けブラケットパネル推奨寸法
RECOMMENDED PANEL OPENING

54679-1639	54679-16*9
54679-1629	
54679-1619	
54679-1609	
MATERIAL NO.	MODEL NO.

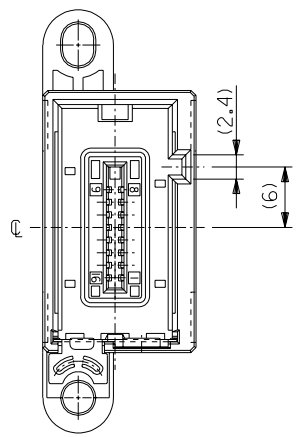
DO NOT SCALE DRAWING

EC NO. DRWN: CHK: APPR:	EC NO. DRWN: CHK: APPR:	EC NO. DRWN: CHK: APPR:	EC NO. DRWN: CHK: APPR:	EC NO. DRWN: CHK: APPR:	RELEASD EC NO. J2004-3693 DRWN: H.KAWABATA 04/04/08 CHK: K.TOJO 04/04/08 APPR: M.SASAO 04/04/08	DESCRIPTION	MATERIAL 材料	FINISH 仕上げ	WIRE RANGE 適用電線範囲	INS. RANGE 被覆外径
						SEE NOTES	SEE NOTES	—	—	

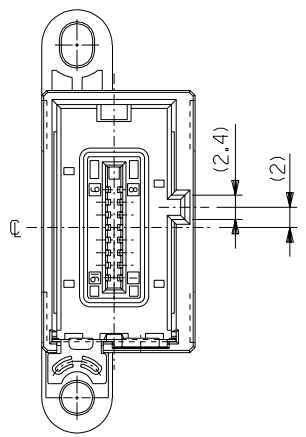
GENERAL TOLERANCES: (UNLESS SPECIFIED) 一般公差	SCALE 2:1	DESIGN UNITS mm INCH	THIRD ANGLE PROJECTION	DIMENSIONS: mm INCH mm ONLY	SHT REV
10 UNDER 未満	±0.2	DRAWN BY & DATE H.KAWABATA 04/04/08	TITLE: SMALL MGC PANEL MOUNT REC.HS'G ASS'Y		
10 OVER 30 UNDER 未満	±0.25	CHECKED BY & DATE K.TOJO 04/04/08	-LEAD FREE-		
30 OVER 以上	±0.3	APPROVED BY & DATE M.SASAO 04/04/08	MOLEX MOLEX INCORPORATED		
ANGLE 角度	±3°	CAD FILENAME SD-54679-004.S01	MATERIAL NO. SEE CHART	DRAWING NO. SD-54679-004	SHEET NO. 1 OF 2

THIS DRAWING CONTAINS INFORMATION THAT IS PROPRIETARY TO MOLEX INCORPORATED AND SHOULD NOT BE USED WITHOUT WRITTEN PERMISSION.		SIZE B
--	--	-----------

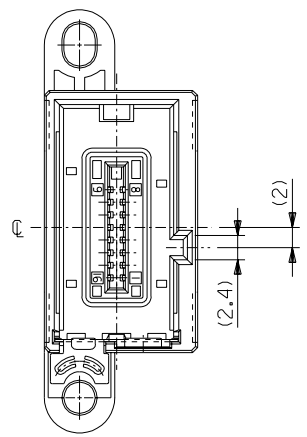
54679-1609



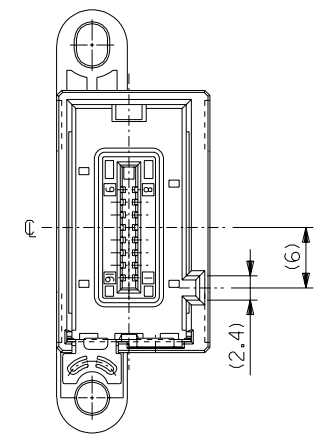
54679-1619



54679-1629



54679-1639



NOTE :

1. 適合リセプタクル (Mini MII CONNECTOR) APPRICABLE RECEPTACLE

圧接ハウジングアッセンブリ : 54596シリーズ
 IDT RECEPTACLE HOUSING ASS'Y : 54596シリーズ
 : 54596シリーズ

2. 材質 MATERIAL

ハウジング : ガラス入りPBT, UL94V-0 灰色
 HOUSING: PBT, G.F. UL94V-0 GRAY
 ターミナル : 燐青銅
 TERMINAL: PHOSPHOR BRONZE
 グランドターミナル : 燐青銅
 GROUND TERMINAL: PHOSPHOR BRONZE

3. メッキ仕様 PLATING

ターミナル TERMINAL

金メッキ GOLD

: 0.1 μm MIN. (接点部)
 : 0.1 MICROMETER MINIMUM.(CONTACT AREA)

錫メッキ TIN

: 1.0 μm MIN. (リセプタクル嵌合部)
 : 1.0 MICROMETER MINIMUM.(RECEPTACLE CONNECTED AREA)

半光沢ニッケルメッキ NICKEL

: 2.0 μm MIN. (下地メッキ)
 : 2.0 MICROMETER MINIMUM.(UNDER PLATING)

グラウンドターミナル GROUND TERMINAL

錫メッキ TIN

: 0.9 μm MIN. (リフローメッキ)
 : 0.9 MICROMETER MINIMUM.(REFLOW TREATMENT)

DO NOT SCALE DRAWING

EC NO. DRWN: CHK: APPR:		EC NO. DRWN: CHK: APPR:		EC NO. DRWN: CHK: APPR:		EC NO. DRWN: CHK: APPR:		EC NO. DRWN: CHK: APPR:		EC NO. DRWN: CHK: APPR:		MODEL NO. 54697-16*9		DIMENSIONS: SHT REV					
MATERIAL 材料										GENERAL TOLERANCES: (UNLESS SPECIFIED) 一般公差		SCALE 2:1		DESIGN UNITS		THIRD ANGLE PROJECTION		REVISIONS	
FINISH 仕上げ										10 UNDER 未満 ±0.2		DRAWN BY & DATE H.KAWABATA '04/04/08		TITLE: SMALL MGC PANEL MOUNT REC.HS'G ASS'Y -LEAD FREE-					
WIRE RANGE 適用電線範囲										10 OVER 30 UNDER 未満 ±0.25		CHECKED BY & DATE K.TOJO '04/04/08							
INS. RANGE 被覆外径										30 OVER 以上 ±0.3		APPROVED BY & DATE M.SASAO '04/04/08		MATERIAL NO. SEE CHART					
REV 0										ANGLE 角度 ±3°		CAD FILENAME SD-54679-004.S02		DRAWING NO. SD-54679-004		SHEET NO. 2 OF 2			
THIS DRAWING CONTAINS INFORMATION THAT IS PROPRIETARY TO MOLEX INCORPORATED AND SHOULD NOT BE USED WITHOUT WRITTEN PERMISSION.														SIZE B					