

PLEASE CHECK WWW.MOLEX.COM FOR LATEST PART INFORMATION

Part Number: [0679130011](#)
Status: **Active**
Description: 2.50mm (.098") Pitch, SDIO Memory Card Connector, Reverse Mount, Ultra Low Profile, Push Push Type

Documents:

[3D Model](#) [Product Specification PS-67913-003 \(PDF\)](#)
[Drawing \(PDF\)](#) [RoHS Certificate of Compliance \(PDF\)](#)

General

Product Family	Memory Card Sockets
Series	67913
Button Type	Push-Push
Comments	SD Card only acceptable. Tin Lead
Component Type	Header & Ejector (Host)
Product Name	SDIO
Type	N/A

Physical

Card Detection Switch	Yes
Circuits (Loaded)	9
Circuits (maximum)	9
Color - Resin	Black
Durability (mating cycles max)	10,000
Ejector Button Side	No Ejector Button Present
Entry Angle	90° Angle (Side Entry)
Keying to Mating Part	Yes
Material - Metal	Copper Alloy
Material - Plating Mating	Gold
Material - Plating Termination	Tin-Lead
Material - Resin	High Temperature Thermoplastic
PCB Locator	Yes
PCB Mounting Side	Reverse
PCB Retention	Yes
Packaging Type	Embossed Tape on Reel
Pitch - Mating Interface (in)	0.067 In, 0.098 In
Pitch - Mating Interface (mm)	1.70 mm, 2.50 mm
Pitch - Term. Interface (in)	0.067 In, 0.098 In
Pitch - Term. Interface (mm)	1.70 mm, 2.50 mm
Ports	1
Temperature Range - Operating	-25°C to +90°C
Termination Interface: Style	Surface Mount

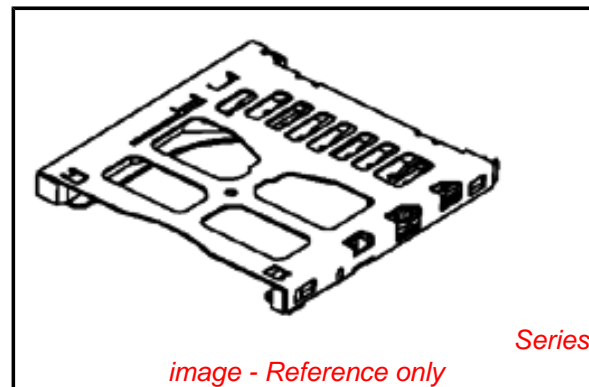
Electrical

Current - Maximum per Contact	0.5A
Shielded	Yes
Voltage - Maximum	250V DC

Material Info

Reference - Drawing Numbers

Product Specification	PS-67913-003
Sales Drawing	SD-67913-011



EU RoHS

Not RoHS Compliant

REACH SVHC

Not Reviewed

Halogen-Free

Status

Not Reviewed

China RoHS



Need more information on product environmental compliance?

Email productcompliance@molex.com
 For a multiple part number RoHS Certificate of Compliance, [click here](#)

Please visit the [Contact Us](#) section for any non-product compliance questions.

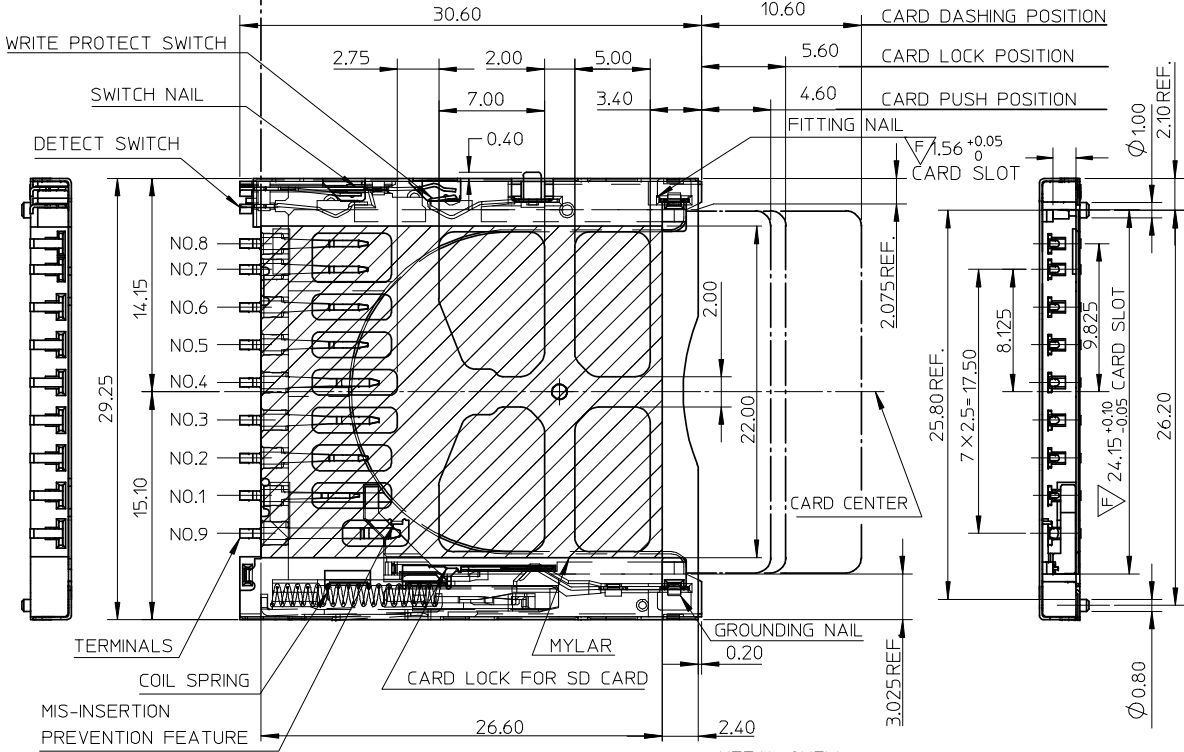
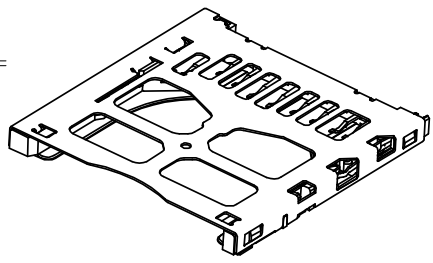
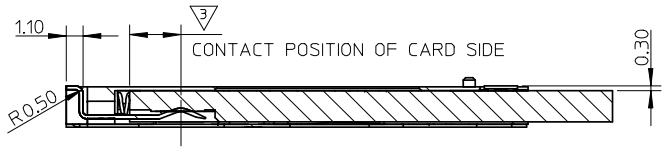
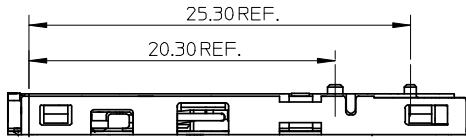
Search Parts in this Series

[67913Series](#)

Use With

SDIO

PLEASE CHECK WWW.MOLEX.COM FOR LATEST PART INFORMATION



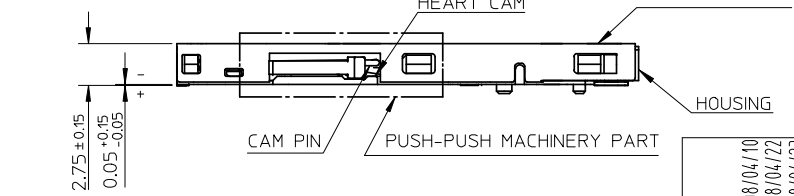
NOTES:
 1. HOUSING: HIGH TEMPERATURE THERMOPLASTIC.
 COLOR: BLACK
 TERMINAL: COPPER ALLOY, SELECTIVE Au PLATING
 METAL SHELL: STAINLESS STEEL
 EACH SWITCHES: COPPER ALLOY, SELECTIVE Au PLATING.
 EACH NAILS: COPPER ALLOY, SELECTIVE AU PLATING.
 COIL SPRING: STEEL WIRE.
 CAM PIN: STAINLESS STEEL
 2. TERMINAL AND NAIL COPLANARITY TO BE 0.1MAX
 3. CONTACT POSITION OF CARD SIDE

TERMINAL NO.	CONTACT POSITION
NO.1	2.4
NO.2,5,6,7,8	2.9
NO.3,4	3.4
NO.9	5.2

4. OPEN/CLOSE OF EACH SWITCH

	PROTECT TERMINAL		DETECT TERMINAL
	WRITE PROTECT POSITION	WRITE ENABLE POSITION	
CARD UNINSERTION	OPEN	OPEN	OPEN
CARD HALF INSERTION	CLOSE	CLOSE	OPEN
CARD INSERTION	OPEN	CLOSE	CLOSE

5. WHEN DELIVERING, THE PUSH/PUSH MECHANISM IS IN THE STATE OF THE UNLOCK.(CARD DASHING OUT POSITION)
 6. CARD READ ONLY BY THE TIME THE CARD DETECTION.
 7. I/O CONTACTS, BASED ON SD I/O ASSOC. REV.G.
 8. PRODUCT SPECIFICATION REFER TO PS-67913-002.



PART NO.	DESCRIPTION	REMARK
67913-0011	TIN-LEAD	FOR SD ONLY
67913-8011	LEAD-FREE	
67913-0008	TIN-LEAD	SD/MMC
67913-8008	LEAD-FREE	

REVISED
 IEC NO: SH2008-0499
 DRWNL:SONG09 2008/04/10
 CHKD:JTIAN 2008/04/22
 APPR:HWANG 2008/04/23

QUALITY SYMBOLS
 ▽=0
 ◁=0

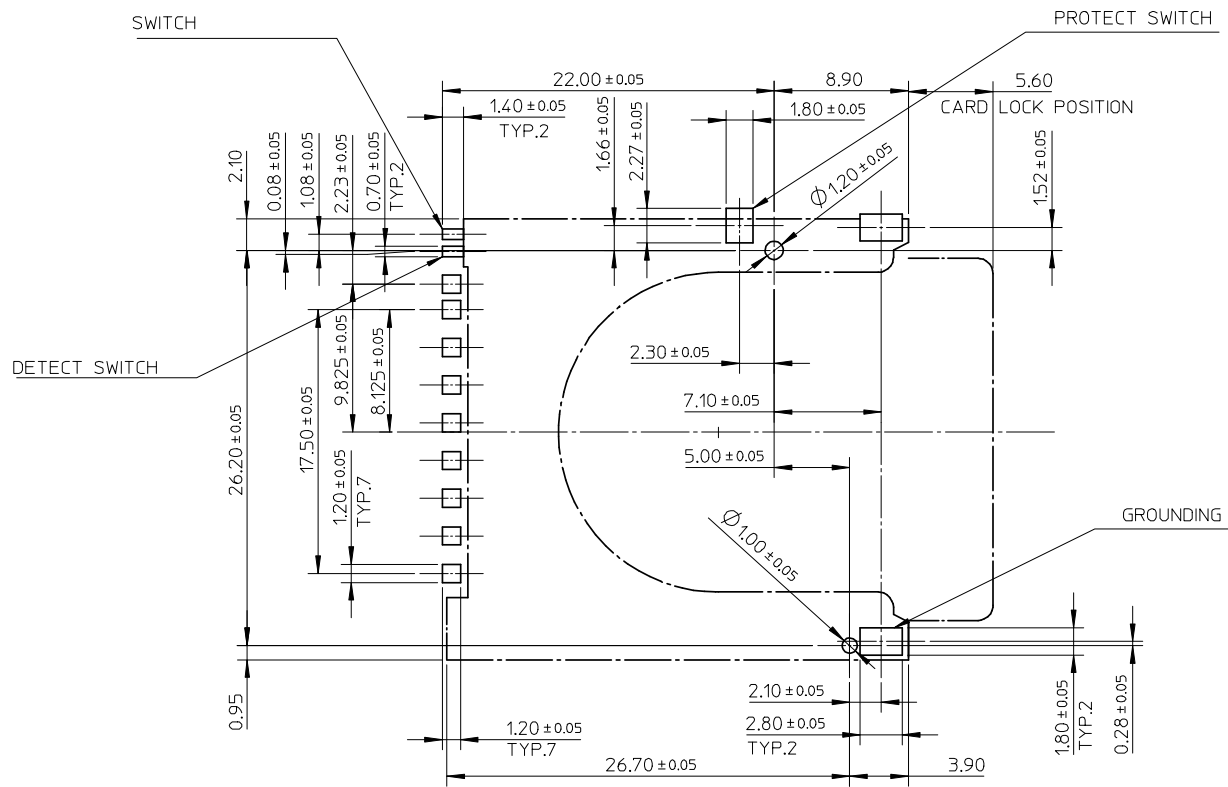
GENERAL TOLERANCES (UNLESS SPECIFIED)

	mm	INCH
4 PLACES	±---	±---
3 PLACES	±---	±---
2 PLACES	±0.25	±---
1 PLACE	±0.25	±---

 ANGULAR ± 3°
 DRAFT WHERE APPLICABLE MUST REMAIN WITHIN DIMENSIONS

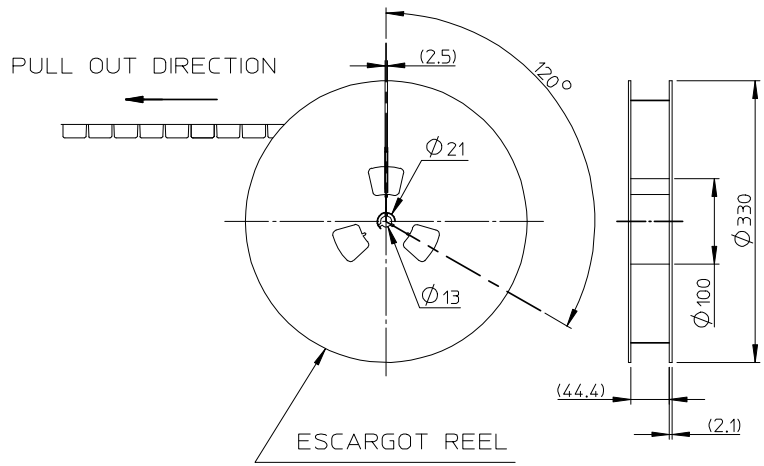
DIMENSION STYLE
 MM ONLY
 SCALE 3:1
 DESIGN UNITS METRIC
 THIRD ANGLE PROJECTION
 DRAWN BY MAX DATE 2003/02/13
 CHECKED BY WILSON DATE 2003/02/13
 APPROVED BY ERICK DATE 2003/02/13
 MATERIAL NO. SEE TABLE

SD/IO CARD CONN.
 REVERSE TYPE WITH
 PUSH PUSH
 MOLEX INCORPORATED
 DOCUMENT NO. SD-67913-011
 SHEET NO. 1 OF 3
 THIS DRAWING CONTAINS INFORMATION THAT IS PROPRIETARY TO MOLEX INCORPORATED AND SHOULD NOT BE USED WITHOUT WRITTEN PERMISSION



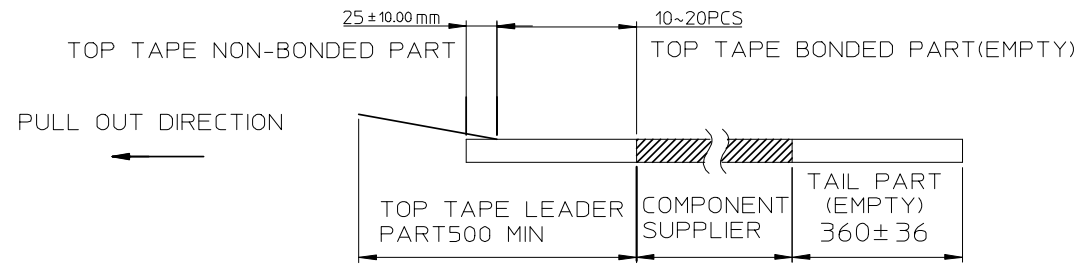
RECOMMENDED P.C.B LAYOUT DIMENSION

REVISED EC NO: SH2008-0499 DRWNL: SONG09 CHKD: J. IAN APPR: H. WANG 2008/04/10 2008/04/22 2008/04/23	DESCRIPTION T1	QUALITY SYMBOLS	GENERAL TOLERANCES (UNLESS SPECIFIED)	DIMENSION STYLE	SCALE	DESIGN UNITS	THIRD ANGLE PROJECTION	
		▽=0 ∇=0	mm INCH 4 PLACES ± --- ± --- 3 PLACES ± --- ± --- 2 PLACES ± 0.25 ± --- 1 PLACE ± 0.25 ± --- ANGULAR ± 3 °	MM ONLY	3:1	METRIC	DRAWN BY: MAX DATE: 2003/02/13 CHECKED BY: WILSON DATE: 2003/02/13 APPROVED BY: ERICK DATE: 2003/02/13	
		DRAFT WHERE APPLICABLE MUST REMAIN WITHIN DIMENSIONS			SEE SHEET 1	TITLE: SD/IO CARD CONN. REVERSE TYPE WITH PUSH PUSH MOLEX INCORPORATED		MATERIAL NO. DOCUMENT NO.
					SIZE: A3	THIS DRAWING CONTAINS INFORMATION THAT IS PROPRIETARY TO MOLEX INCORPORATED AND SHOULD NOT BE USED WITHOUT WRITTEN PERMISSION		SHEET NO. 2 OF 3
						SD-67913-011		9 8 7 6 5 4 3 2 1

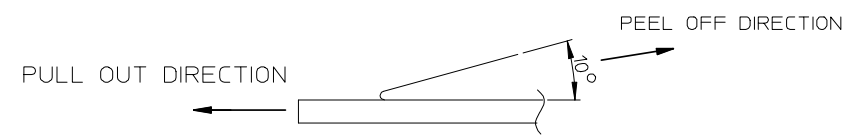


NOTES

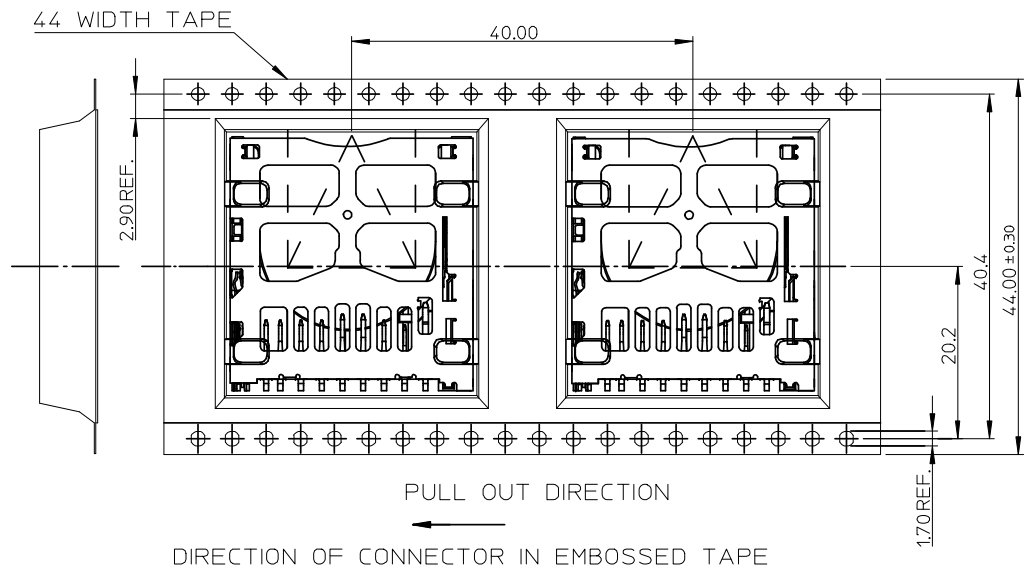
1. NUMBER OF CONNECTORS: 300 PCS/REEL
- 2.



3. PEEL OFF FORCE OF TOP TAPE: 0.1~1.3 N (10.2~130gf)
PEELING DIRECTION AS SHOWN IN FOLLOWING FIG.)
(PEEL OFF SPEED: 300mm/min.REF.)



4. PACKAGING DRAWING REFERS TO PK-67913-001.



REVISED EC NO: SH2008-0499 DRWNLSONG09 CHKD:JTIAN APPR:HWANG	2008/04/10 2008/04/22 2008/04/23	DESCRIPTION REV	QUALITY SYMBOLS	GENERAL TOLERANCES (UNLESS SPECIFIED)	DIMENSION STYLE	SCALE	DESIGN UNITS	THIRD ANGLE PROJECTION	
			▼=0 ◻=0	mm INCH 4 PLACES ± --- ± --- 3 PLACES ± --- ± --- 2 PLACES ± 0.25 ± --- 1 PLACE ± 0.25 ± --- ANGULAR ± 3 °	MM ONLY	1:1	METRIC	DRAWN BY: MAX DATE: 2003/02/13 CHECKED BY: WILSON DATE: 2003/02/13 APPROVED BY: ERICK DATE: 2003/02/13	TITLE
			DRAFT WHERE APPLICABLE MUST REMAIN WITHIN DIMENSIONS	SEE SHEET 1	MATERIAL NO. DOCUMENT NO.	SD/IO CARD CONN. REVERSE TYPE WITH PUSH PUSH	MOLEX INCORPORATED SD-67913-011	SHEET NO. 3 OF 3	
			THIS DRAWING CONTAINS INFORMATION THAT IS PROPRIETARY TO MOLEX INCORPORATED AND SHOULD NOT BE USED WITHOUT WRITTEN PERMISSION						