

**PLEASE CHECK WWW.MOLEX.COM FOR LATEST PART INFORMATION**

**Part Number:** [0679138011](#)  
**Status:** **Active**  
**Description:** 2.50mm (.098") Pitch, SDIO Memory Card Connector, Reverse Mount, Ultra Low Profile, Lead free

**Documents:**

[3D Model](#) [Product Specification PS-67913-003 \(PDF\)](#)  
[Drawing \(PDF\)](#) [RoHS Certificate of Compliance \(PDF\)](#)

**General**

Product Family Memory Card Sockets  
 Series [67913](#)  
 Button Type Push-Push  
 Comments SD Card only acceptable. Lead free  
 Component Type Header & Ejector (Host)  
 Product Name SDIO  
 Type N/A

**Physical**

Card Detection Switch Yes  
 Circuits (Loaded) 9  
 Circuits (maximum) 9  
 Color - Resin Black  
 Durability (mating cycles max) 10,000  
 Ejector Button Side No Ejector Button Present  
 Entry Angle 90° Angle (Side Entry)  
 Keying to Mating Part Yes  
 Material - Metal Copper Alloy  
 Material - Plating Mating Gold  
 Material - Resin High Temperature Thermoplastic  
 PCB Locator Yes  
 PCB Mounting Side Reverse  
 PCB Retention Yes  
 Packaging Type Embossed Tape on Reel  
 Pitch - Mating Interface (in) 0.067 In, 0.098 In  
 Pitch - Mating Interface (mm) 1.70 mm, 2.50 mm  
 Pitch - Term. Interface (in) 0.067 In, 0.098 In  
 Pitch - Term. Interface (mm) 1.70 mm, 2.50 mm  
 Ports 1  
 Temperature Range - Operating -25°C to +90°C  
 Termination Interface: Style Surface Mount

**Electrical**

Current - Maximum per Contact 0.5A  
 Shielded Yes  
 Voltage - Maximum 250V DC

**Material Info**

**Reference - Drawing Numbers**

Product Specification PS-67913-003  
 Sales Drawing SD-67913-011

**EU RoHS**

**ELV and RoHS Compliant**

**REACH SVHC**

Not Reviewed

**Halogen-Free**

**Status**

**Not Reviewed**

**China RoHS**



**Need more information on product environmental compliance?**

Email [productcompliance@molex.com](mailto:productcompliance@molex.com)  
 For a multiple part number RoHS Certificate of Compliance, [click here](#)

Please visit the [Contact Us](#) section for any non-product compliance questions.

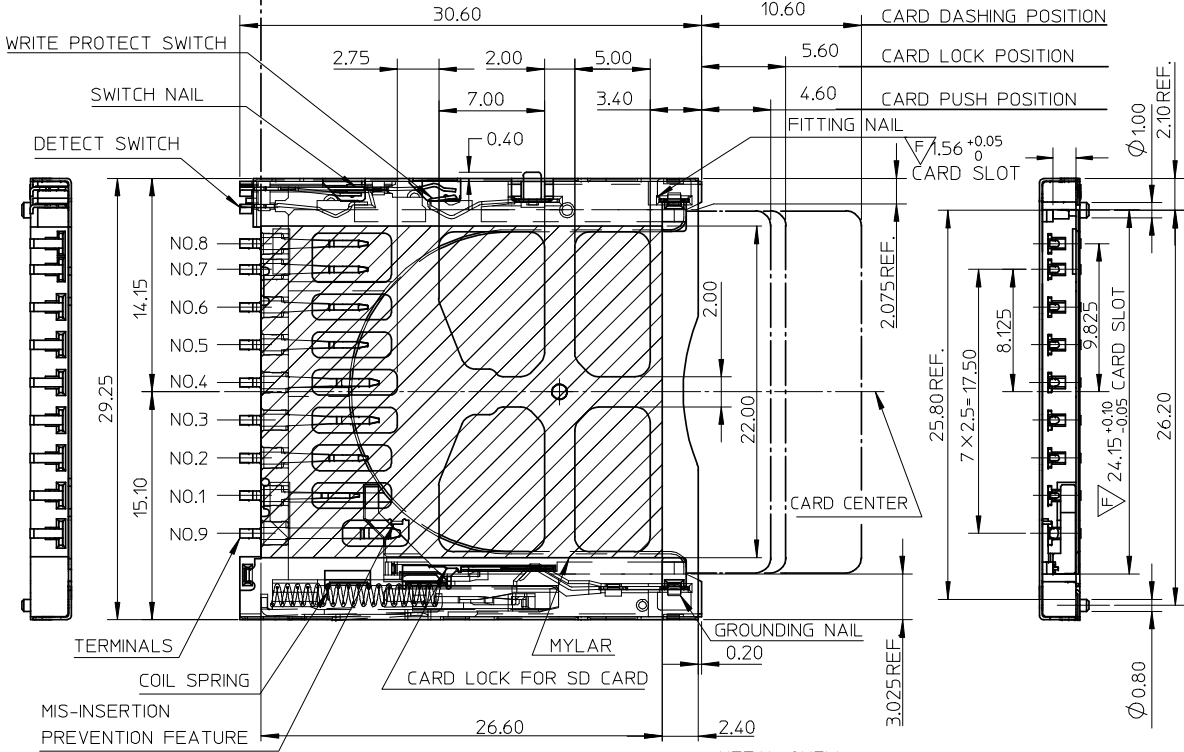
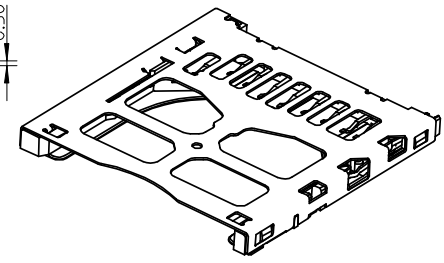
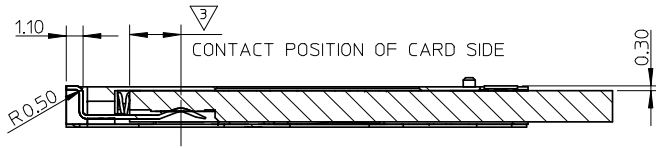
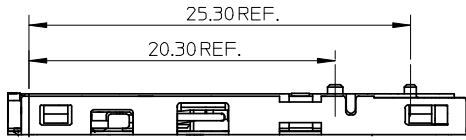
**Search Parts in this Series**

[67913Series](#)

**Use With**

SDIO

10 9 8 7 6 5 4 3 2 1



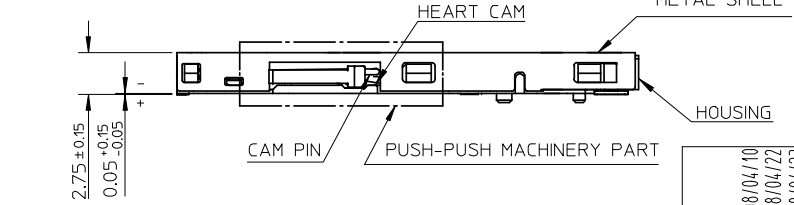
NOTES:  
 1. HOUSING: HIGH TEMPERATURE THERMOPLASTIC.  
 COLOR: BLACK  
 TERMINAL: COPPER ALLOY, SELECTIVE Au PLATING  
 METAL SHELL: STAINLESS STEEL  
 EACH SWITCHES: COPPER ALLOY, SELECTIVE Au PLATING.  
 EACH NAILS: COPPER ALLOY, SELECTIVE AU PLATING.  
 COIL SPRING: STEEL WIRE.  
 CAM PIN: STAINLESS STEEL  
 2. TERMINAL AND NAIL COPLANARITY TO BE 0.1MAX  
 3. CONTACT POSITION OF CARD SIDE

TERMINAL NO.	CONTACT POSITION
NO.1	2.4
NO.2,5,6,7,8	2.9
NO.3,4	3.4
NO.9	5.2

4. OPEN/CLOSE OF EACH SWITCH

	PROTECT TERMINAL		DETECT TERMINAL
	WRITE PROTECT POSITION	WRITE ENABLE POSITION	
CARD UNINSERTION	OPEN	OPEN	OPEN
CARD HALF INSERTION	CLOSE	CLOSE	OPEN
CARD INSERTION	OPEN	CLOSE	CLOSE

5. WHEN DELIVERING, THE PUSH/PUSH MECHANISM IS IN THE STATE OF THE UNLOCK.(CARD DASHING OUT POSITION)  
 6. CARD READ ONLY BY THE TIME THE CARD DETECTION.  
 7. I/O CONTACTS, BASED ON SD I/O ASSOC. REV.G.  
 8. PRODUCT SPECIFICATION REFER TO PS-67913-002.



PART NO.	DESCRIPTION	REMARK
67913-0011	TIN-LEAD	FOR SD ONLY
67913-8011	LEAD-FREE	
67913-0008	TIN-LEAD	SD/MMC
67913-8008	LEAD-FREE	

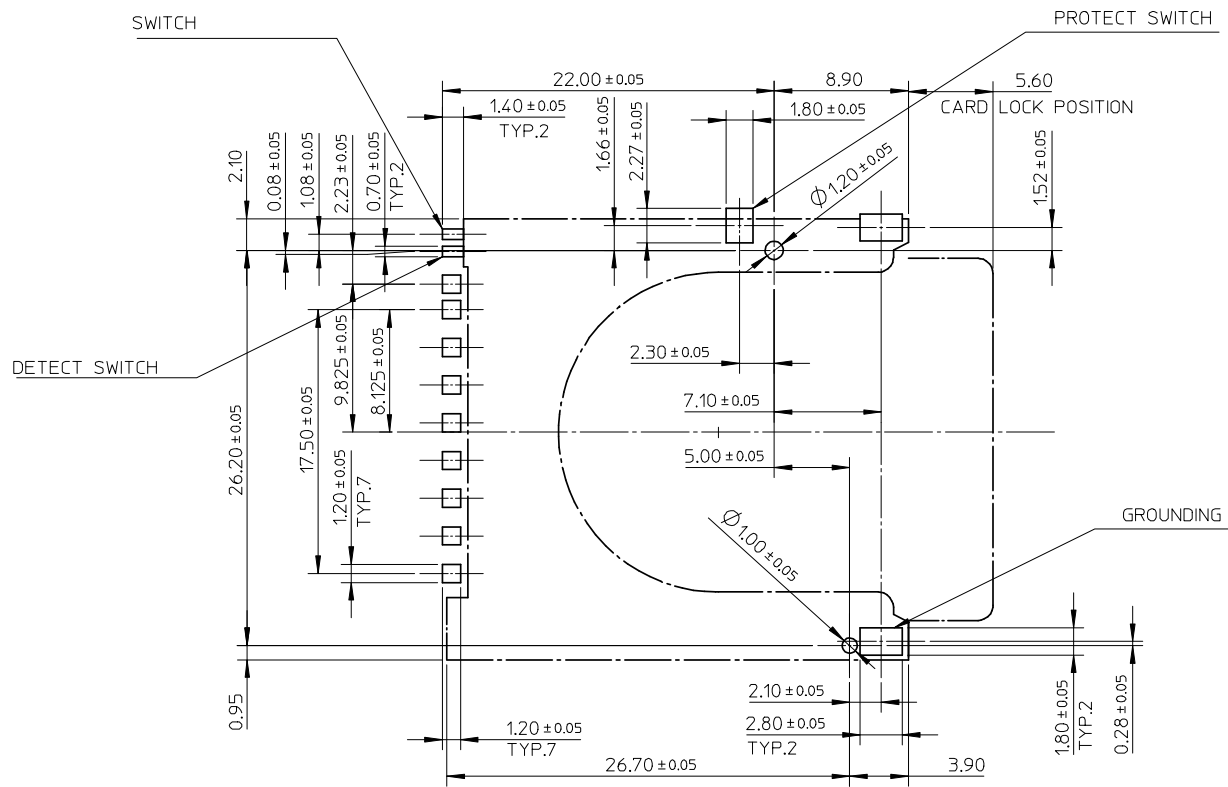
REVISED	EC NO: SH2008-0499	2008/04/10
	DRWNL:SONG09	2008/04/10
	CHKD:JTIAN	2008/04/22
	APPR:HWANG	2008/04/23

QUALITY SYMBOLS	GENERAL TOLERANCES (UNLESS SPECIFIED)	
	mm	INCH
▽=0	4 PLACES ± ---	± ---
▽=0	3 PLACES ± ---	± ---
	2 PLACES ± 0.25	± ---
	1 PLACE ± 0.25	± ---
	ANGULAR ± 3 °	

DIMENSION STYLE		SCALE	DESIGN UNITS
MM ONLY		3:1	METRIC
DRAWN BY	DATE	TITLE	
MAX	2003/02/13	SD/IO CARD CONN. REVERSE TYPE WITH PUSH PUSH	
CHECKED BY	DATE		
WILSON	2003/02/13		
APPROVED BY	DATE		
ERICK	2003/02/13		
MATERIAL NO.	DOCUMENT NO.		
SEE TABLE	SD-67913-011		

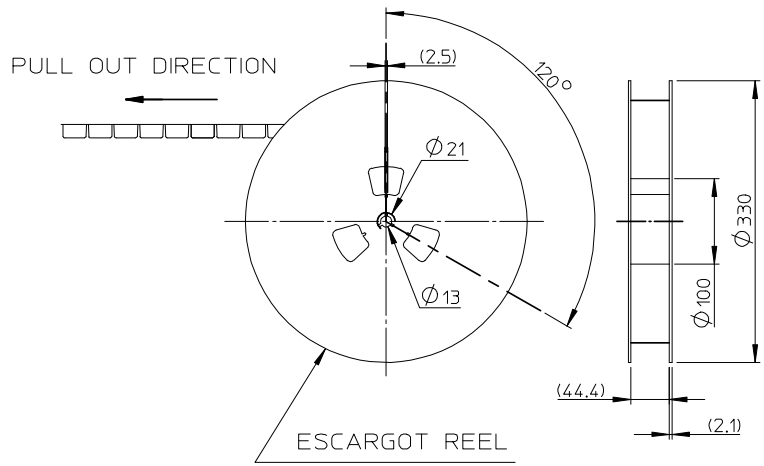
<b>MOLEX INCORPORATED</b>	
SD-67913-011	SHEET NO. 1 OF 3
THIS DRAWING CONTAINS INFORMATION THAT IS PROPRIETARY TO MOLEX INCORPORATED AND SHOULD NOT BE USED WITHOUT WRITTEN PERMISSION	

9 8 7 6 5 4 3 2 1



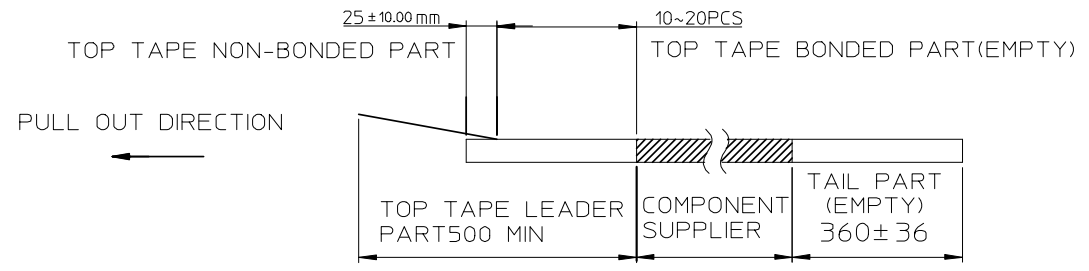
RECOMMENDED P.C.B LAYOUT DIMENSION

REVISED EC NO: SH2008-0499 DRWNL:SONG09 CHKD: J.TIAN APPR: HWANG 2008/04/10 2008/04/22 2008/04/23	DESCRIPTION T1	QUALITY SYMBOLS	GENERAL TOLERANCES (UNLESS SPECIFIED)	DIMENSION STYLE	SCALE	DESIGN UNITS	THIRD ANGLE PROJECTION	
		▽=0 ∇=0	mm    INCH 4 PLACES ± --- ± --- 3 PLACES ± --- ± --- 2 PLACES ± 0.25 ± --- 1 PLACE ± 0.25 ± --- ANGULAR ± 3 °	MM ONLY	3:1	METRIC	☉ □ THIRD ANGLE PROJECTION	
			DRAFT WHERE APPLICABLE MUST REMAIN WITHIN DIMENSIONS	DRAWN BY: MAX CHECKED BY: WILSON APPROVED BY: ERICK	DATE: 2003/02/13 DATE: 2003/02/13 DATE: 2003/02/13	TITLE: SD/IO CARD CONN. REVERSE TYPE WITH PUSH PUSH		
				MATERIAL NO. SEE SHEET 1 SIZE: A3	DOCUMENT NO. SD-67913-011 SHEET NO. 2 OF 3	MOLEX INCORPORATED		
				THIS DRAWING CONTAINS INFORMATION THAT IS PROPRIETARY TO MOLEX INCORPORATED AND SHOULD NOT BE USED WITHOUT WRITTEN PERMISSION				

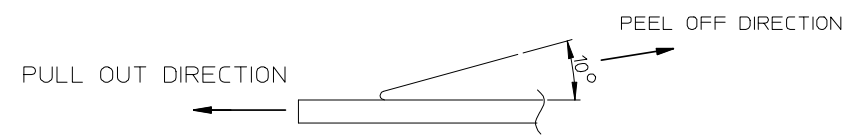


**NOTES**

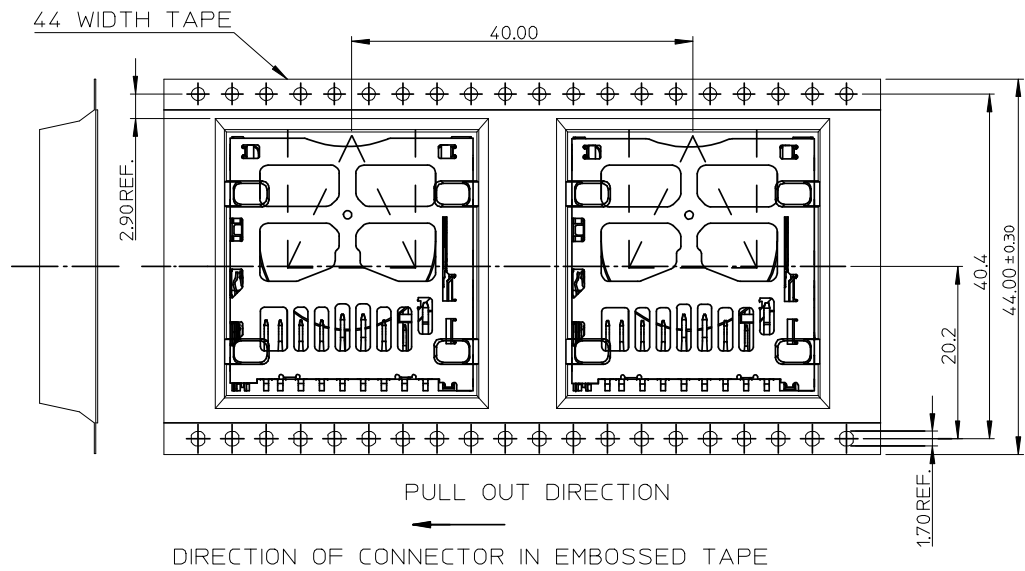
1. NUMBER OF CONNECTORS: 300 PCS/REEL
- 2.



3. PEEL OFF FORCE OF TOP TAPE: 0.1~1.3 N (10.2~130gf)  
PEELING DIRECTION AS SHOWN IN FOLLOWING FIG.)  
(PEEL OFF SPEED: 300mm/min.REF.)



4. PACKAGING DRAWING REFERS TO PK-67913-001.



REVISED EC NO: SH2008-0499 DRWNLSONG09 CHKD:JTIAN APPR:HWANG	2008/04/10 2008/04/22 2008/04/23	DESCRIPTION REV	QUALITY SYMBOLS	GENERAL TOLERANCES (UNLESS SPECIFIED)	DIMENSION STYLE	SCALE	DESIGN UNITS	THIRD ANGLE PROJECTION		
			▼=0 ◻=0	mm INCH 4 PLACES ± --- ± --- 3 PLACES ± --- ± --- 2 PLACES ± 0.25 ± --- 1 PLACE ± 0.25 ± --- ANGULAR ± 3 °	MM ONLY	1:1	METRIC	DRAWN BY: MAX CHECKED BY: WILSON APPROVED BY: ERICK	DATE: 2003/02/13 DATE: 2003/02/13 DATE: 2003/02/13	TITLE
			DRAFT WHERE APPLICABLE MUST REMAIN WITHIN DIMENSIONS	SEE SHEET 1	MATERIAL NO. DOCUMENT NO.	SD/IO CARD CONN. REVERSE TYPE WITH PUSH PUSH	MOLEX INCORPORATED SD-67913-011	SHEET NO. 3 OF 3		
			THIS DRAWING CONTAINS INFORMATION THAT IS PROPRIETARY TO MOLEX INCORPORATED AND SHOULD NOT BE USED WITHOUT WRITTEN PERMISSION							