

**PLEASE CHECK WWW.MOLEX.COM FOR LATEST PART INFORMATION**

**Part Number:** **0758856410**  
**Status:** **Active**  
**Overview:** vhdm  
**Description:** 2.00mm (.079") Pitch VHDM® Board-to-Board Daughtercard Receptacle, Right Angle, 6-Row, 2 Blade Power Module, 2 Circuits, Mating Blade Length: 12.00mm (.472") Blade 1, 7.50mm (.295") Blade 2, Lead-Free

**Documents:**

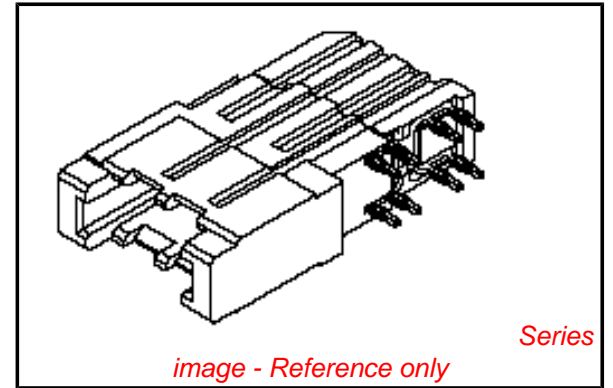
[Drawing \(PDF\)](#) [RoHS Certificate of Compliance \(PDF\)](#)

**General**

Product Family	Backplane Connectors
Series	<u>75885</u>
Application	Daughtercard
Application Tooling Documents	<a href="http://www.molex.com/pdm_docs/ats/TM-622010999.pdf">Tooling Manual</a>
Comments	Daughtercard Receptacle Module, Power, 2-Blade
Component Type	Power Receptacle
Overview	<u>vhdm</u>
Product Name	VHDM®
Style	N/A

**Physical**

Circuits (Loaded)	2
Circuits (maximum)	2
Color - Resin	Black
Durability (mating cycles max)	200
First Mate / Last Break	Yes
Guide to Mating Part	No
Keying to Mating Part	None
Material - Metal	High Performance Alloy (HPA)
Material - Plating Mating	Gold
Material - Plating Termination	Tin
Material - Resin	High Temperature Thermoplastic
Number of Columns	N/A
Number of Pairs	Open Pin Field
Number of Rows	1
Orientation	Right Angle
PC Tail Length (in)	0.110 In
PC Tail Length (mm)	2.80 mm
PCB Locator	No
PCB Retention	None
PCB Thickness Recommended (in)	0.071 In
PCB Thickness Recommended (mm)	1.80 mm
Packaging Type	Tube
Pitch - Mating Interface (in)	0.157 In
Pitch - Mating Interface (mm)	4.00 mm
Pitch - Term. Interface (in)	0.157 In
Pitch - Term. Interface (mm)	4.00 mm
Plating min: Mating (µin)	30
Plating min: Mating (µm)	0.75
Plating min: Termination (µin)	35
Plating min: Termination (µm)	0.875
Polarized to PCB	No
Stackable	No
Surface Mount Compatible (SMC)	Yes



**EU RoHS**

**ELV and RoHS Compliant**  
**REACH SVHC Contains SVHC: No**  
**Halogen-Free Status**

**China RoHS**



**Need more information on product environmental compliance?**

Email [productcompliance@molex.com](mailto:productcompliance@molex.com)  
 For a multiple part number RoHS Certificate of Compliance, [click here](#)

Please visit the [Contact Us](#) section for any non-product compliance questions.

**Search Parts in this Series**

75885Series

Temperature Range - Operating 105°C  
Termination Interface: Style Through Hole - Compliant Pin

### **Electrical**

Current - Maximum per Contact 10A  
Data Rate 2.5 Gbps  
Real Signals (per 25mm) 38  
Shielded No  
Voltage - Maximum 120V AC (RMS)/DC

### **Material Info**

#### **Reference - Drawing Numbers**

Packaging Specification PK-70873-200  
Sales Drawing SD-75885-001

VHDM and Very High Density Metric are trademarks of Amphenol Corporation

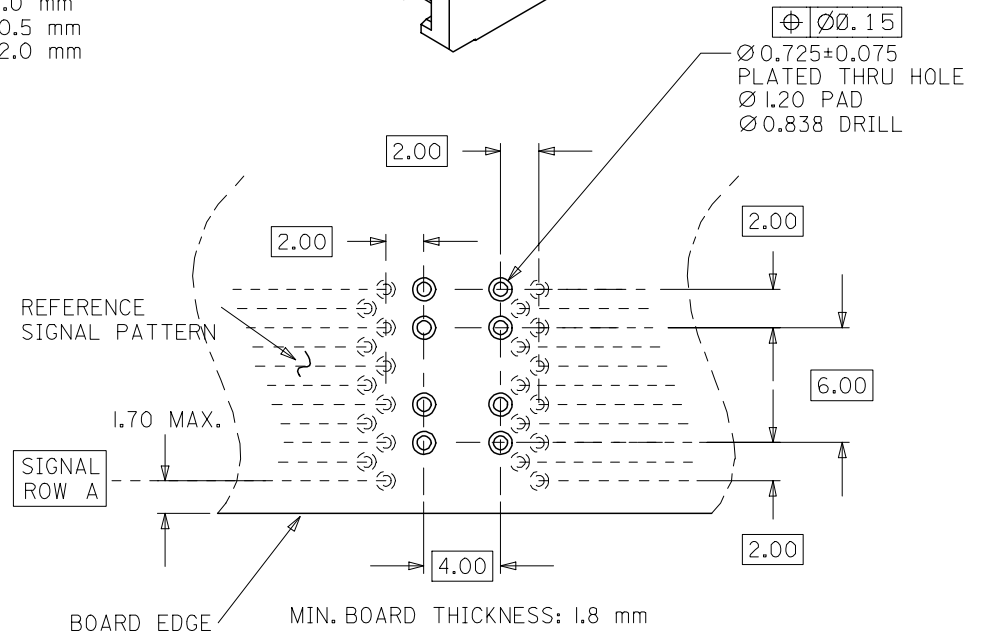
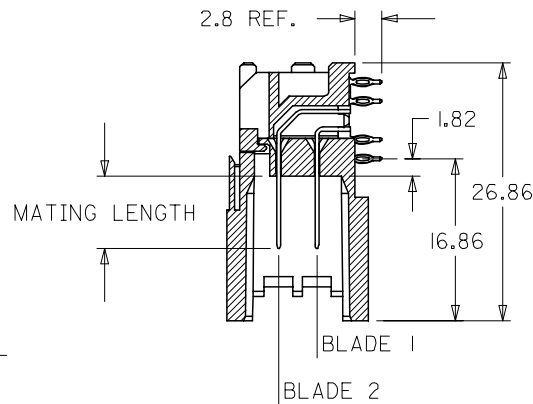
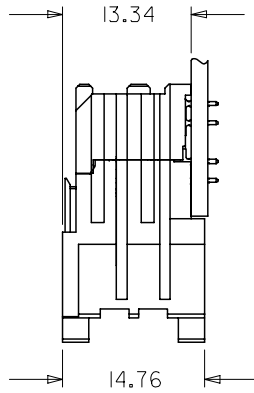
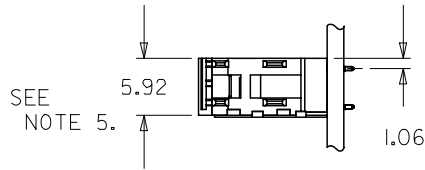
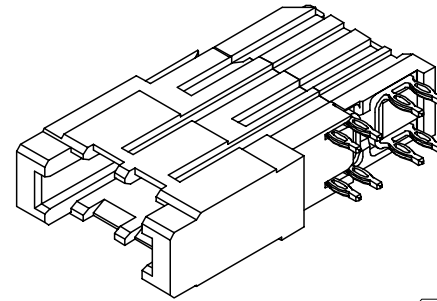
This document was generated on 05/28/2010

**PLEASE CHECK [WWW.MOLEX.COM](http://WWW.MOLEX.COM) FOR LATEST PART INFORMATION**

**MATERIAL NUMBER ASSIGNMENT**

75885 - 6 \* \* 0 SEE NOTE 2. & 3.

BLADE 1		BLADE 2	
MATING LENGTH		MATING LENGTH	
1	= 7.5 mm	1	= 7.5 mm
2	= 9.0 mm	2	= 9.0 mm
3	= 10.5 mm	3	= 10.5 mm
4	= 12.0 mm	4	= 12.0 mm
6	= 7.5 mm	6	= 7.5 mm
7	= 9.0 mm	7	= 9.0 mm
8	= 10.5 mm	8	= 10.5 mm
9	= 12.0 mm	9	= 12.0 mm



**NOTES:**

- MATERIALS:**  
HOUSING - LIQUID CRYSTAL POLYMER (LCP)  
UL94 V-0 RATED, COLOR: BLACK  
TERMINAL - COPPER ALLOY
- FINISH:** SELECT GOLD ON MATING SURFACE, 30 microINCH THICK; MATTE TIN ON TAILS; NICKEL OVERALL.  
(WHEN \* = 1, 2, 3, OR 4)
- FINISH:** SELECT GOLD ON MATING SURFACE, 50 microINCH THICK; MATTE TIN ON TAILS; NICKEL OVERALL.  
(WHEN \* = 6, 7, 8, OR 9)
- THIS PART CONFORMS TO PRODUCT SPECIFICATION PS-74031-999.
- PART SHOWN IS 75885-6110.
- USE 6.00 mm NOMINAL FOR DAUGHTERCARD LAYOUT.

RELEASED EC NO: UCP2006-3055 DRWNG:VARVARA 2006/06/21 CHKD:SREED 2006/06/21 APPR:SREED 2006/06/22	DESCRIPTION A	QUALITY SYMBOLS ▽=0 ▽=0	GENERAL TOLERANCES (UNLESS SPECIFIED)		DIMENSION STYLE MM ONLY		SCALE 4:1	DESIGN UNITS METRIC	THIRD ANGLE PROJECTION		
			mm	INCH	DRAWN BY VARVARA	DATE 06/06/20	TITLE VHDM LEAD FREE POWER 6 ROW DAUGHTERCARD SALES ASSEMBLY				
			4 PLACES ± ---	± ---	CHECKED BY SREED	DATE 06/06/20					
			ANGULAR ±1/2°		APPROVED BY SREED		DATE 06/06/20	MATERIAL NO. SEE CHART			
DRAFT WHERE APPLICABLE MUST REMAIN WITHIN DIMENSIONS					DOCUMENT NO. SD-75885-001		SHEET NO. 1 OF 1				