

PLEASE CHECK WWW.MOLEX.COM FOR LATEST PART INFORMATION

Part Number: [0945101103](#)
Status: **Active**
Description: Fork Terminal for 0.35-0.50mm² (20-22 AWG) wire

Documents:

[Drawing \(PDF\)](#) [RoHS Certificate of Compliance \(PDF\)](#)
[Product Specification PS-94509-002 \(PDF\)](#)

General

Product Family	Crimp Terminals
Series	94510
Crimp Quality Equipment	Yes
Product Name	Fork Terminal

Physical

Durability (mating cycles max)	20
Gender	Female
Material - Metal	Phosphor Bronze
Material - Plating Mating	Tin
Material - Plating Termination	Tin
Packaging Type	Reel
Plating min: Mating (µin)	120.00
Plating min: Mating (µm)	3.000
Plating min: Termination (µin)	120.00
Plating min: Termination (µm)	3.00
Termination Interface: Style	Crimp or Compression
Wire Insulation Diameter	1.70mm
Wire Size AWG	20, 22
Wire Size mm ²	0.35 - 0.50

Electrical

Current - Maximum per Contact	6A
Voltage - Maximum	50V

Material Info

Reference - Drawing Numbers

Product Specification	PS-94509-002
Sales Drawing	SD-94510-1X03

EU RoHS **China RoHS**

Compliance Status

Not Reviewed

REACH SVHC

Not Reviewed

Halogen-Free

Status

Not Reviewed

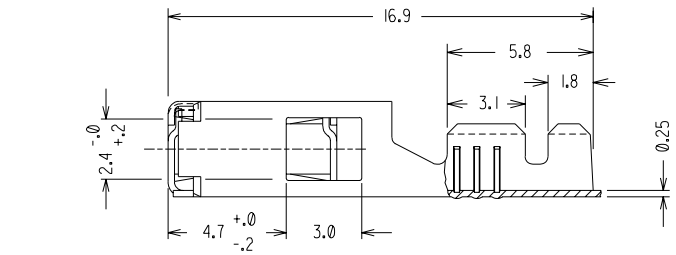
Need more information on product environmental compliance?

Email productcompliance@molex.com
 For a multiple part number RoHS Certificate of Compliance, [click here](#)

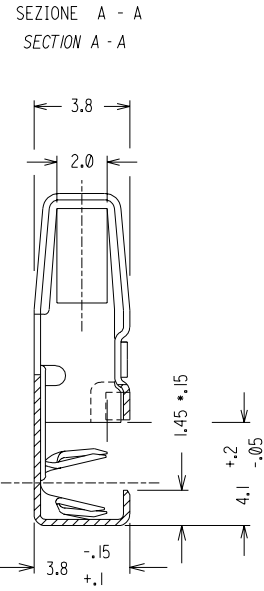
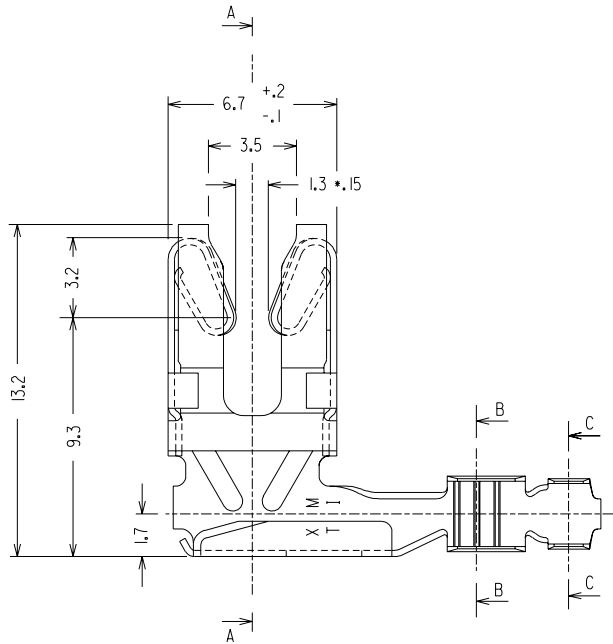
Please visit the [Contact Us](#) section for any non-product compliance questions.

Search Parts in this Series

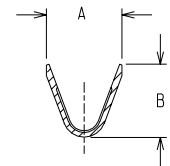
[94510Series](#)



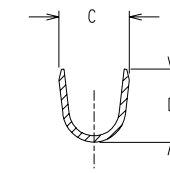
CODICE P/N	SEZ. CAVO WIRE SIZE	Ø ISOLANTE INS. RANGE	A	B	C	D
94510-1103	0.35 - 0.50	1.70 MAX	1.9	2.2	2.7	2.7
94510-1203	0.75 - 1.00	2.10 MAX	3.0	2.9	2.8	2.9



SEZIONE B - B
SECTION B - B



SEZIONE C - C
SECTION C - C



MATERIALE: BRONZO FOSFOROSO
MATERIAL: PHOSPHOR BRONZE

FINITURA: PRESTAGNATO
PLATING: PRE-TINNED

PASSO TRA CONTATTI ADIACENTI: 21.3 mm
PITCH BETWEEN ADJACENT TERMINALS: 21.3 mm

SENDO DI SVOLGIMENTO DALLA BOBINA
DEREELING DIRECTION

(N.° PEZZI PER BOBINA: 2700)
(N. OF TERMINALS PER REEL: 2700)

ECN Z2-195
20-11-92
NEW RELEASE

DIMENSIONS SHOWN (METRIC) INCH	
UNLESS OTHERWISE SPECIFIED TOLERANCES: ANGULAR ±3°	
INCH	(METRIC)
3 PLACE ±	
2 PLACE ±	±
1 PLACE	± 0.2

DESIGN DIMENSION (PRIMARY)	□ (MM)	□ (IN)
EQUIVALENT DIMENSION (SECONDARY)	□ (MM)	□ (IN)

DRWG BY
Barbieri
CHK'D BY
APP'D BY
Previato
SCALE
5:1

REVISE ONLY ON CAD SYSTEM		SH.	REV.
CAD/CAM FILENAME 9451016S	THIS DRAWING CONTAINS INFORMATION THAT IS PROPRIETARY TO MOLEX INC AND SHOULD NOT BE USED WITHOUT WRITTEN PERMISSION		
TITLE	CONTATTO A FORCELLA A 90° - SPESSORE NOM. DEL MASCHIO: 2.1 mm - R/A FORK TERMINAL - TAB SIZE: 2J mm -		
MOLLEX MOLEX INCORPORATED	SHEET NO.	DATE	
PART NO. VEDI TABELLA SEE TABLE	1/1	18-07-90	
DWG NO. 94510 - IX03 SD			SIZE B