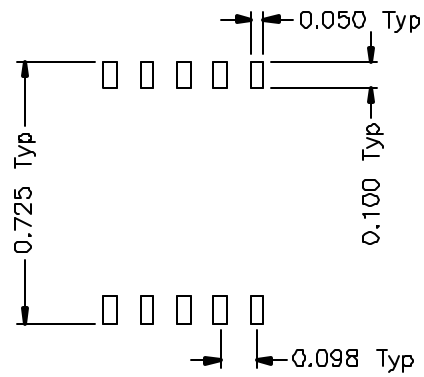
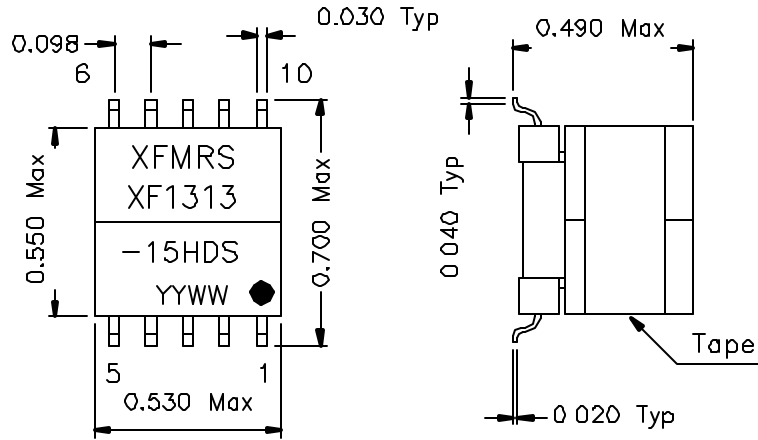
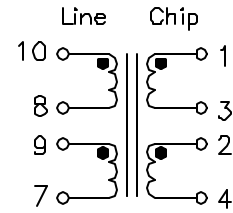


1. Dimensions:



Suggested PCB Layout

2.Schematic:



3.Electrical Specifications: @25°C

PIN10-7 OCL: 5.0mH ±10% @10KHz 0.1V 0mA_{dc}
(CONNECT PIN8-9)

PIN10-7 LL: 12uH Max @100KHz 100mV
(CONNECT PIN 8+9, 1,2,3,4)

URNS RATIO: (1-4):(10-7) = 2.125:1±1% tie(8+9, 3+2)

DC Res.: Pins 1-3 0.350 Ohms Max

DC Res.: Pins 10-8 1.75 Ohms Max

DC Res.: Pins 9-7 1.75 Ohms Max

DC Res.: Pins 2-4 0.400 Ohms Max

ISOLATION VOLTAGE: 2500V_{rms} (Chip to Line)

OPERATING TEMP: -40 TO 85°C

Note: Designed to meet the specifications of UL 1950 for supplementary insulation for a primary circuit with 250 working volts, Reinforced at 150V.

DOC. REV A/2

XFMR5 Inc	Title: HDSL TRANSFORMER		
	UNLESS OTHERWISE SPECIFIED	P/N: XF1313-15HDS	REV. A
TOLERANCES: .xxx ±0.010	DWN.	廖玉坤	Mar-30-00
Dimensions in INCH	CHK.	李清儿	Mar-30-00
SHEET 1 OF 1	APP.	Joe Huff	Mar-30-00