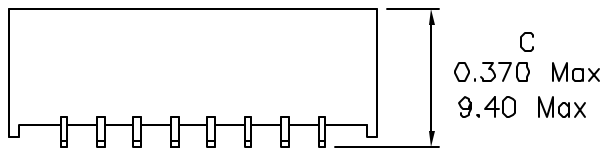
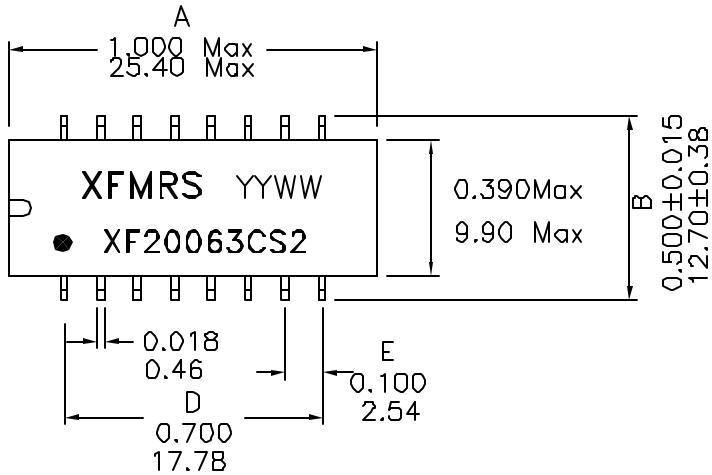
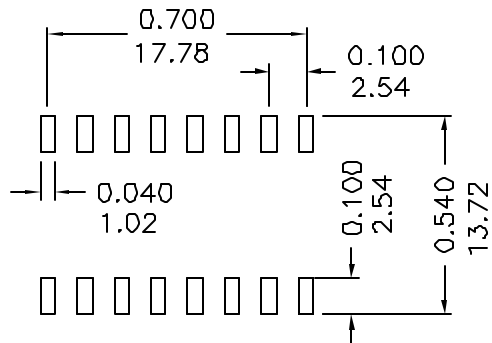


### 1. Mechanical Dimensions:



CO-PLANARITY ± 0.004 Max  
0.10 Max



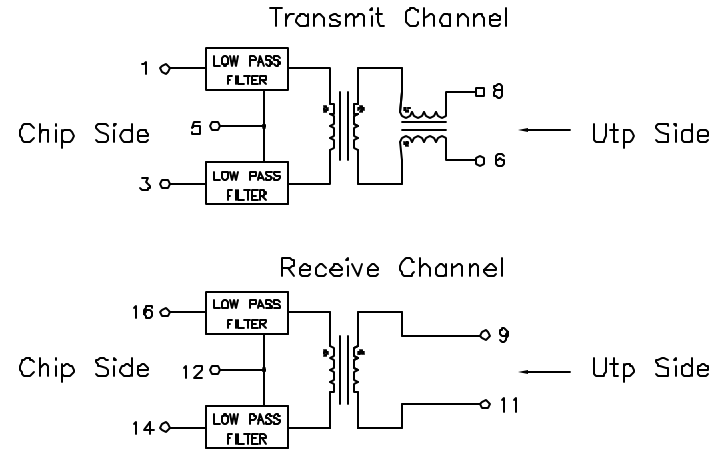
SUGGESTED FOOTPRINT

**Notes:**

1. Solderability: Leads shall meet MIL-STD-202G, Method 208H for solderability.
2. Flammability: UL94V-D
3. ASTM oxygen index: > 28%
4. Insulation System: Class F 155°C. UL file E151556
5. Operating Temperature Range: All listed parameters are to be within tolerance from -40°C to +85°C
6. Storage Temperature Range: -55°C to +125°C
7. Aqueous wash compatible
8. SMD Lead Coplanarity: ±0.004" (0.102mm)
9. Electrical and mechanical specifications 100% tested
10. RoHS 5/6 Compliant, 63/37 leaded solder dipping on FG pins
11. Recommended IR Reflow temp 225C Max.

DOC REV: A/5

### 2. Schematic:



### 3. Electrical Specifications: @25°C

Turns Ratio: 1:1±3%  
 Isolation Voltage: 1500 Vrms  
 Return Loss: -15dB Min @5-10MHz 100 Load  
 Insertion Loss: -1.0dB Max @1-10MHz  
 Crosstalk: -30dB Min @5-10MHz  
 Attenuation: (TX only)

30MHz	40MHz	100MHz
-30dB Min	-27dB Min	-27 Min

CMR:

5MHz	10MHz	50MHz	100MHz
-40dB Min	-30dB Min	-50dB Min	-45dB Min

<b>XFMRs Inc</b> www.XFMRs.com	Title: <b>10 BASE-T FILTER</b>	
	P/N: XF20063CS2	REV. A
UNLESS OTHERWISE SPECIFIED TOLERANCES: .xxx ±0.010 Inch Dimensions in Inch/mm SHEET 1 OF 1	DWN.	XianYi
	CHK.	YK Liao
	APP.	BW
	Nov-20-08	Nov-20-08
	Nov-20-08	Nov-20-08