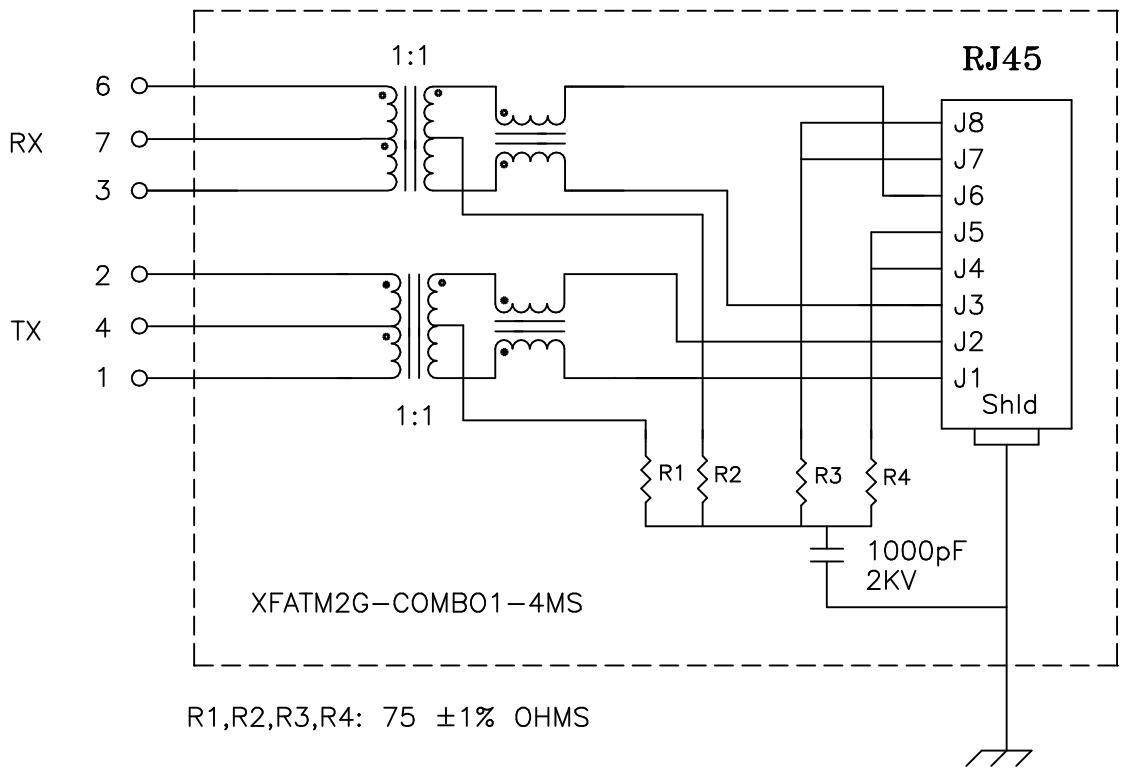


**Schematic:**



**Electrical Specifications: @25°C**

Isolation Voltage: 1500 Vac  
 Isolation Voltage: 500 Vac (1+2+3+5+6+7)  
 UTP SIDE OCL: 350uH Min @100KHz 100mV 8mADC  
 Rise Time (10-90%): 2.5ns Typical  
 Insertion Loss (300KHz-100MHz): -1.1dB Maximum  
 Insertion Loss (100MHz-125MHz): -1.5dB Maximum  
 Return Loss: -12dB Typical @300KHz - 100MHz  
 Crosstalk:  
 100KHz-60MHz -40dB Typical  
 60MHz-100MHz -38dB Typical  
 Common Mode to Differential Mode Rejection:  
 1MHz-100MHz -30dB Typ (Tx) / -30dB Typ (Rx)  
 200MHz -20dB Typ (Tx) / -20dB Typ (Rx)

<b>XFMRs Inc.</b> UNLESS OTHERWISE SPECIFIED TOLERANCES: .xxx ±0.010 Dimensions in Inch SHEET 1 OF 2	Title: <b>SINGLE PORT COMBO</b>		
	P/N: XFATM2G-COMBO1-4MS		REV. A
	DWN.	BW	Jul-6-00
	CHK.	Joe Huff	Jul-6-00
	APP.	AEI	Jul-6-00

