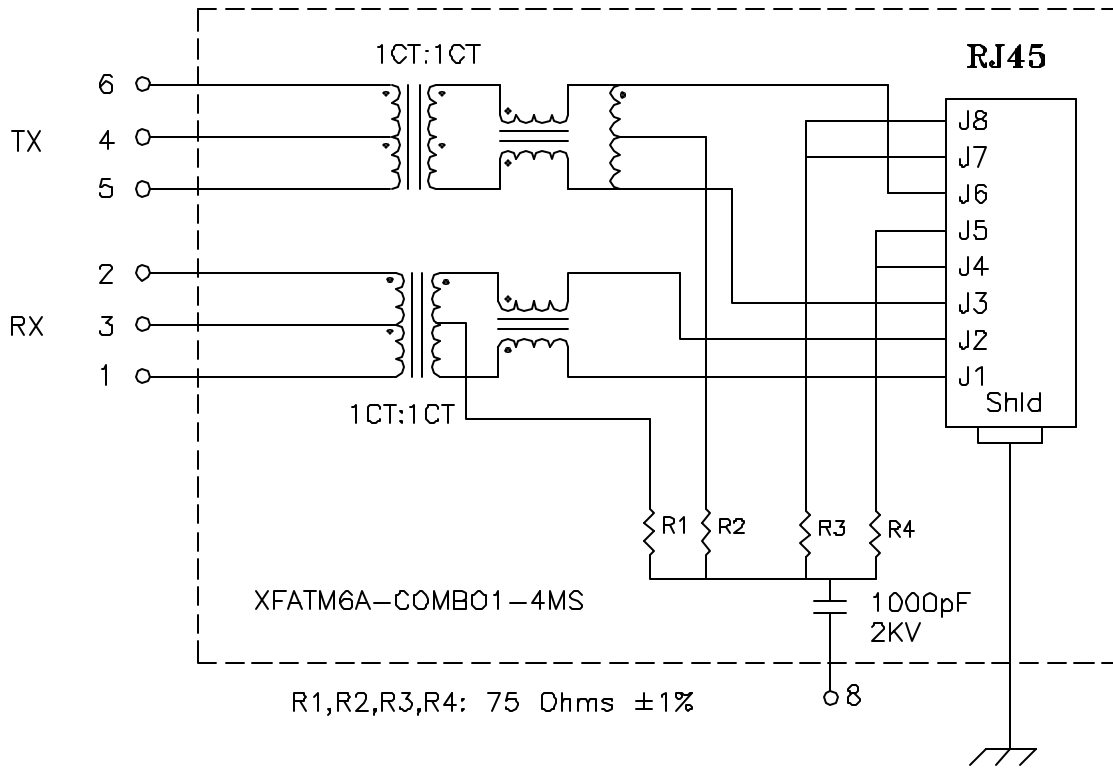


Schematic:



Electrical Specifications: @25°C

- Isolation Voltage: 1500 Vac
- Isolation Voltage: 500 Vac (6+5+4-3+2+1)
- UTP SIDE OCL: 350uH Min @100KHz 100mV 8mADC
- Rise Time (10-90%): 2.5ns Typical
- Insertion Loss (300KHz-100MHz): -1.1dB Maximum
- Insertion Loss (100MHz-125MHz): -1.5dB Maximum
- Return Loss: -12dB Typical @300KHz - 100MHz
- Crosstalk:
 - 100KHz-60MHz -40dB Typical
 - 60MHz-100MHz -38dB Typical
- Common Mode to Differential Mode Rejection:
 - 100KHz-60MHz -45dB Typ (Tx) / -40dB Typ (Rx)
 - 60MHz-100MHz -40dB Typ (Tx) / -35dB Typ (Rx)

Notes:

1. Solderability: Leads shall meet MIL-STD-202G, Method 208H for solderability.
2. Flammability: UL94V-0
3. ASTM oxygen index: > 28%
4. Insulation System: Class F 155°C. UL file E151556
5. Operating Temperature Range: All listed parameters are to be within tolerance from -40°C to +85°C
6. Storage Temperature Range: -55°C to +125°C
7. Aqueous wash compatible
8. Electrical and mechanical specifications 100% tested
9. RoHS Compliant Component

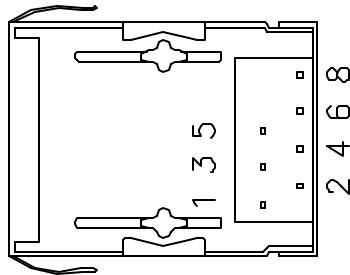
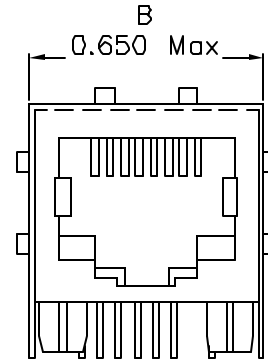
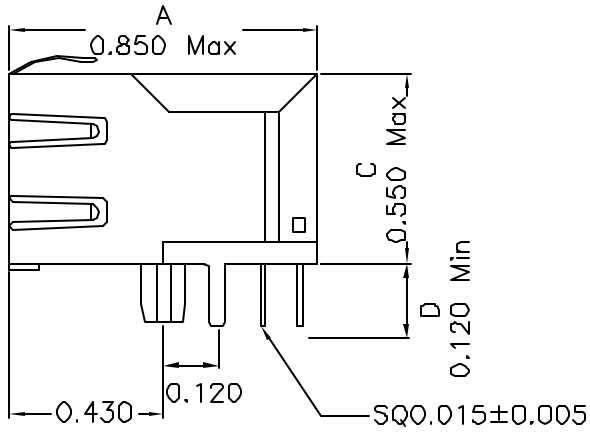
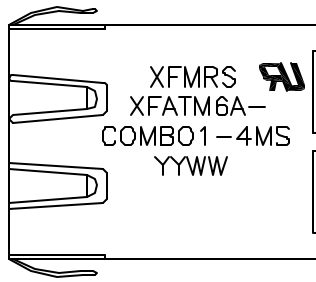
DOC REV: A/5

XFMRs Inc www.XFMRs.com	Title: SINGLE PORT COMBO		
	UNLESS OTHERWISE SPECIFIED	P/N: XFATM6A-COMBO1-4MS	REV. A
TOLERANCES: .xxx ±0.010	DWN.	李小锋	Jan-10-08
Dimensions in Inch	CHK.	廖玉坤	Jan-10-08
SHEET 1 OF 2	APP.	MS	Jan-10-08

PROPRIETARY:

Document is the property of XFMRs Group & is not allowed to be duplicated without authorization.

Mechanical Dimensions:

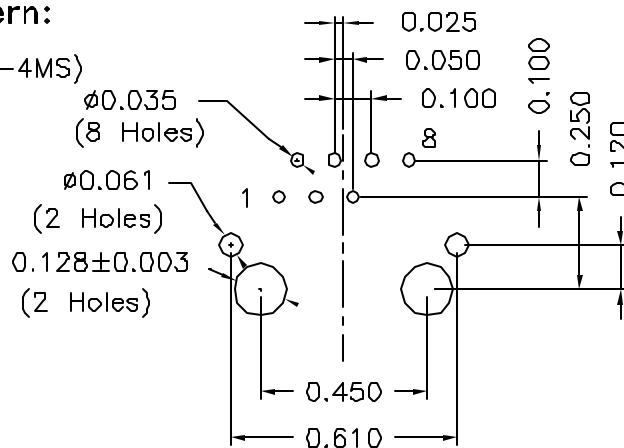


(BOTTOM VIEW)

*Remove Pin#7

Mounting Pattern:

(FOR COMBO1-4MS)
(COMP SIDE)



DOC REV: A/5

XFMRS Inc www.XFMRS.com	Title: Mechanical Dimensions For COMBO1-4MS Series		
	UNLESS OTHERWISE SPECIFIED TOLERANCES: .xxx ±0.010 Dimensions in Inch	P/N: XFATM6A-COMBO1-4MS	REV. A
SHEET 2 OF 2		APP. MS	Jan-10-08

PROPRIETARY:

Document is the property of XFMRS Group & is not allowed to be duplicated without authorization.