

**PLEASE CHECK WWW.MOLEX.COM FOR LATEST PART INFORMATION**

**Part Number:** [0359550150](#)  
**Status:** **Active**  
**Description:** 6.35mm (.250") Tab Wire-to-Wire Plug Housing, 1 Circuit, Locking Window

**Documents:**

[Drawing \(PDF\)](#) [RoHS Certificate of Compliance \(PDF\)](#)

**General**

Product Family	Crimp Housings
Series	<a href="#">35955</a>
Product Name	N/A

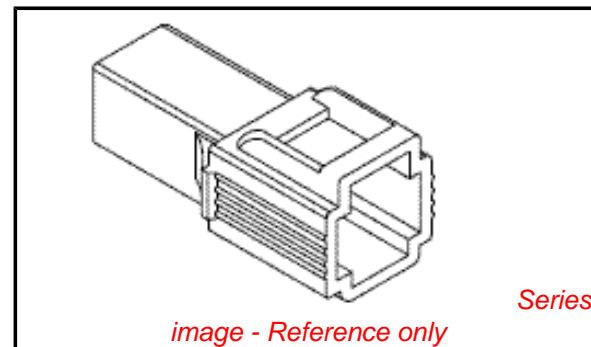
**Physical**

Circuits (maximum)	1
Color - Resin	Natural
Gender	Male
Glow-Wire Compliant	No
Lock to Mating Part	Yes
Material - Resin	Polyester Alloy
Number of Rows	1
Packaging Type	Bag
Panel Mount	No
Pitch - Mating Interface (in)	0.000 In
Pitch - Mating Interface (mm)	0.00 mm
Polarized to Mating Part	Yes
Stackable	No
Temperature Range - Operating	-40°C to +120°C

**Material Info**

**Reference - Drawing Numbers**

Packaging Specification	PK-35955-001
Sales Drawing	SD-35955-0110



**EU RoHS**

**ELV and RoHS  
Compliant**  
**REACH SVHC**  
 Not Reviewed  
**Halogen-Free  
Status**  
 Not Reviewed

**China RoHS**



**Need more information on product  
environmental compliance?**

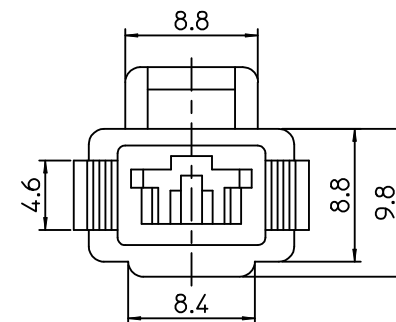
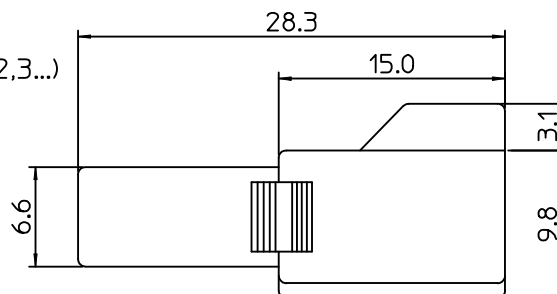
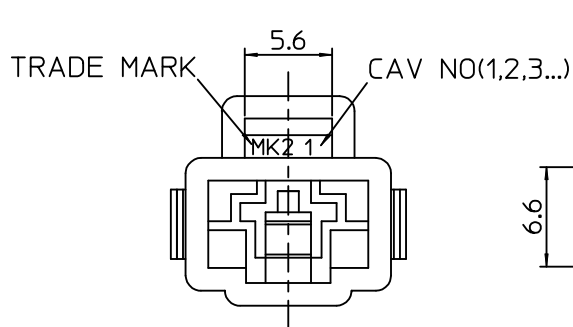
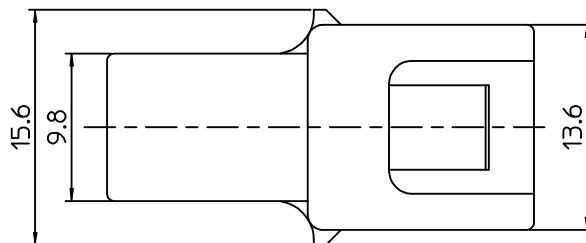
Email [productcompliance@molex.com](mailto:productcompliance@molex.com)  
 For a multiple part number RoHS Certificate of  
 Compliance, [click here](#)

Please visit the [Contact Us](#) section for any  
 non-product compliance questions.

**Search Parts in this Series**  
[35955Series](#)

**Mates With**  
[35955-0160](#)

**Use With**  
[35725-18\\*0|35725-19\\*0|35725-30\\*0](#)



NOTES.

1. MATERIAL & COLOR & APPLICABLE TERMINAL : SEE TABLE

MATERIAL NO.	ENG NO.	MATERIAL	COLOR
359550110	35955-0110	PA66(UL94V-2)	NATURAL
359550130	35955-0130	PBT(UL94V-0)	NATURAL
359550150	35955-0150	PC/PET(UL94V-0)	NATURAL
359550151	35955-0151		BLACK
359550153	35955-0153		YELLOW
APPLICABLE TERMINAL			
35725-18*0	35725-19*0	35725-30*0	

2. MATED HOUSING & APPLICABLE TERMINAL : SEE TABLE

MATERIAL NO.	ENG NO.	MATERIAL	COLOR
359550120	35955-0120	PA66(UL94V-2)	NATURAL
359550140	35955-0140	PBT(UL94V-0)	NATURAL
359550160	35955-0160	PC/PET(UL94V-0)	NATURAL
359550161	35955-0161		BLACK
359550163	35955-0163		YELLOW
APPLICABLE TERMINAL			
35725-36*0	35725-37*0	35725-38*0	

<b>REVISED</b> EC NO: KOR2009-0054 DRWN: JHPARK01 2008/10/27 CHKD: WY. YANG 2008/10/27 APPR: YUNS.IKKIM 2008/10/27	QUALITY SYMBOLS	GENERAL TOLERANCES (UNLESS SPECIFIED)	DIMENSION STYLE	SCALE	DESIGN UNITS	THIRD ANGLE PROJECTION															
	= 0.05 = 0.1	<table border="1"> <thead> <tr> <th></th> <th>mm</th> <th>INCH</th> </tr> </thead> <tbody> <tr> <td>4 PLACES</td> <td>± ---</td> <td>± ---</td> </tr> <tr> <td>3 PLACES</td> <td>± ---</td> <td>± ---</td> </tr> <tr> <td>2 PLACES</td> <td>± 0.30</td> <td>± ---</td> </tr> <tr> <td>1 PLACE</td> <td>± 0.30</td> <td>± ---</td> </tr> </tbody> </table>		mm	INCH	4 PLACES	± ---	± ---	3 PLACES	± ---	± ---	2 PLACES	± 0.30	± ---	1 PLACE	± 0.30	± ---	MM ONLY	3:1	METRIC	
		mm	INCH																		
	4 PLACES	± ---	± ---																		
3 PLACES	± ---	± ---																			
2 PLACES	± 0.30	± ---																			
1 PLACE	± 0.30	± ---																			
REV	DESCRIPTION	ANGULAR ± 1 ° DRAFT WHERE APPLICABLE MUST REMAIN WITHIN DIMENSIONS	DRAWN BY JS.KANG DATE 1999/08/16 CHECKED BY BK.CHOI DATE 1999/08/16 APPROVED BY CW.LEE DATE 1999/08/16 MATERIAL NO. SEE TABLE	TITLE	.250 RECEPTACLE HSG-1P MOLEX INCORPORATED DOCUMENT NO. SD-35955-0110	SHEET NO. 1 OF 01															
			SIZE A3	THIS DRAWING CONTAINS INFORMATION THAT IS PROPRIETARY TO MOLEX INCORPORATED AND SHOULD NOT BE USED WITHOUT WRITTEN PERMISSION																	