

**PLEASE CHECK WWW.MOLEX.COM FOR LATEST PART INFORMATION**

**Part Number:** **0500138100**  
**Status:** **Active**  
**Description:** 2.00mm (.079") Pitch Crimp Terminal, for 51005 Housing

**Documents:**

[3D Model](#) [Product Specification PS-51005-001 \(PDF\)](#)  
[Drawing \(PDF\)](#) [RoHS Certificate of Compliance \(PDF\)](#)

**General**

Product Family Crimp Terminals  
 Series 50013  
 Crimp Quality Equipment Yes  
 MolexKits Yes  
 Product Name N/A

**Physical**

Gender Female  
 Material - Metal Phosphor Bronze  
 Material - Plating Mating Tin  
 Material - Plating Termination Tin  
 Packaging Type Bag  
 Plating min: Mating (µin) 36  
 Plating min: Mating (µm) 0.90  
 Plating min: Termination (µin) 36  
 Plating min: Termination (µm) 0.90  
 Termination Interface: Style Crimp or Compression  
 Wire Insulation Diameter 0.90-1.15mm (.035-.045")  
 Wire Size AWG 24, 26, 28  
 Wire Size mm² N/A

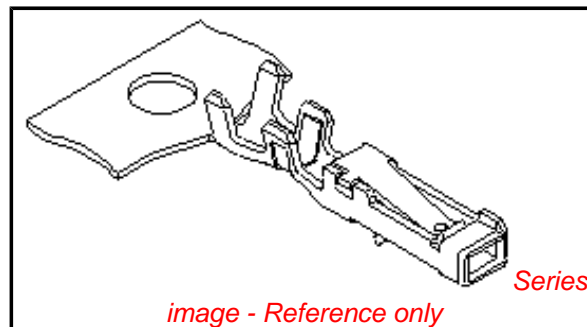
**Electrical**

Current - Maximum per Contact 2A  
 Voltage - Maximum 125V

**Material Info**

**Reference - Drawing Numbers**

Packaging Specification SPK-50013-001  
 Product Specification PS-51005-001, RPS-51005-001, RPS-51005-002  
 Sales Drawing SD-50013-001



**EU RoHS**

**ELV and RoHS  
 Compliant  
 REACH SVHC  
 Contains SVHC: No  
 Halogen-Free  
 Status**

**China RoHS**



**Need more information on product  
 environmental compliance?**

Email [productcompliance@molex.com](mailto:productcompliance@molex.com)  
 For a multiple part number RoHS Certificate of  
 Compliance, [click here](#)

Please visit the [Contact Us](#) section for any  
 non-product compliance questions.

**Search Parts in this Series**

50013Series

**Mates With**

50012

**Use With**

51005

**Application Tooling | FAQ**

*Tooling specifications and manuals are  
 found by selecting the products below.  
 Crimp Height Specifications are then  
 contained in the Application Tooling  
 Specification document.*

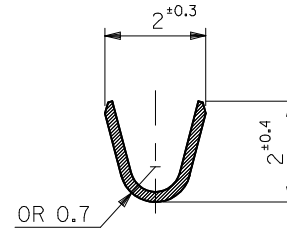
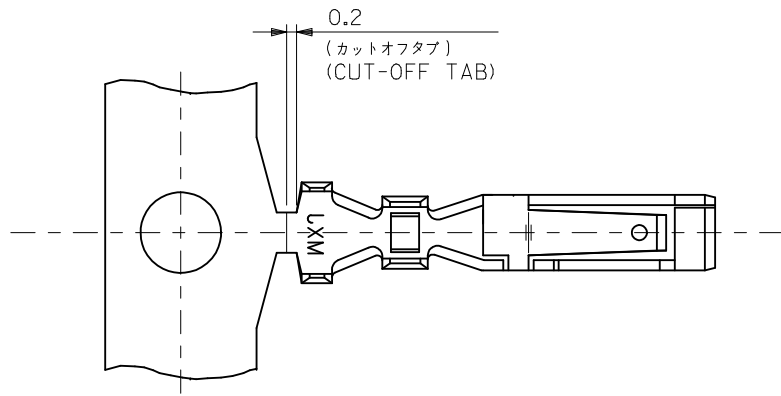
**Global**

Description	Product #
Hand Crimp Tool, UL Approved	0638117800

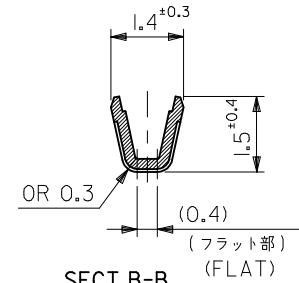
**Japan**

Description	Product #
Hand Crimper	0570465000

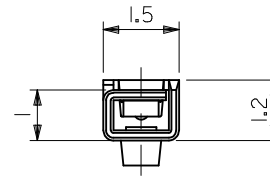
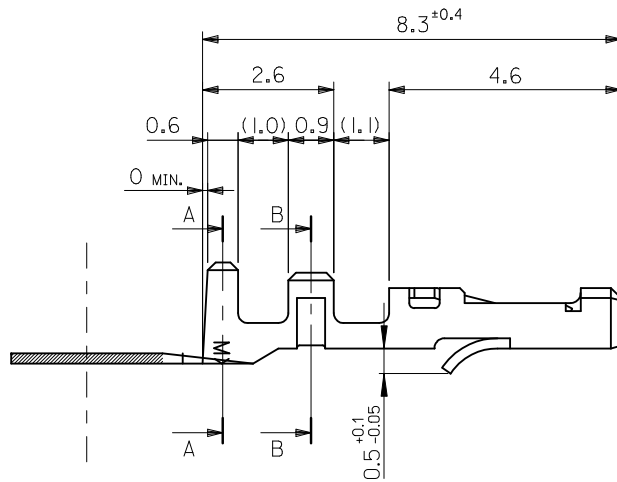
**PLEASE CHECK [WWW.MOLEX.COM](http://WWW.MOLEX.COM) FOR LATEST PART INFORMATION**



SECT.A-A



SECT.B-B



注記  
NOTES

- 適合ハウジング : 51005  
APPLICABLE HOUSING : 51005
- 嵌合相手 : 50012  
MATE WITH : 50012
- ELV 及び RoHS適合品  
ELV AND RoHS COMPLIANT.

材料 MATERIAL	リン青銅 錫メッキ (t=0.2) PHOS. BRO. PRE-TINNED (t=0.2)
仕上げ FINISH	— # —
適用電線範囲 WIRE RANGE	AWG#24 ~ #28
被覆外径 INS. RANGE	φ0.9 ~ φ1.15

REVISED	EC NO: J2010-0035
DRWN: TNAGAWA01	2009/07/06
CHKD: MATSUMOTO	2009/07/06
APPR: NUKITA	2009/07/06

GENERAL TOLERANCES (UNLESS SPECIFIED)	
10 UNDER	±0.2
10 OVER 30 UNDER	±0.25
30 OVER	±0.3
ANGULAR	±3 °
DRAFT WHERE APPLICABLE MUST REMAIN WITHIN DIMENSIONS	

DIMENSION STYLE MM ONLY	
DRAWN BY	DATE
T. YASUI	'95/08/21
CHECKED BY	DATE
H. HIRAMOTO	'95/08/22
APPROVED BY	DATE
M. FUKUSHIMA	'95/08/22
MATERIAL NO.	
SEE TABLE	
SIZE	A3

SCALE	10:1
DESIGN UNITS	METRIC
THIRD ANGLE PROJECTION	
TITLE	
2.0 WIRE TO WIRE CONN. CRIMP REC.	
MATERIAL NO.	
50013-8100	
50013-8000	
MODEL NO.	
50013-8*00	
DOCUMENT NO.	
SD-50013-001	
SHEET NO.	
1 OF 1	