

**PLEASE CHECK WWW.MOLEX.COM FOR LATEST PART INFORMATION**

**Part Number:** [0521160242](#)  
**Status:** **Active**  
**Overview:** splash\_proof  
**Description:** 2.50mm (.098") Pitch Splash Proof Wire-to-Wire Plug Housing for AVS 0.3, 2 Circuits

**Documents:**

[3D Model](#) [Product Specification PS-52117-002 \(PDF\)](#)  
[Drawing \(PDF\)](#) [RoHS Certificate of Compliance \(PDF\)](#)  
[Product Specification PS-52117-001 \(PDF\)](#)

**General**

Product Family	Crimp Housings
Series	52116
Overview	splash_proof
Product Name	Splash Proof

**Physical**

Circuits (maximum)	2
Color - Resin	Red
Gender	Plug
Glow-Wire Compliant	No
Lock to Mating Part	Yes
Material - Resin	Polyester
Number of Rows	1
Packaging Type	Tray
Panel Mount	No
Pitch - Mating Interface (in)	0.197 In
Pitch - Mating Interface (mm)	5.00 mm
Stackable	No
Temperature Range - Operating	-40°C to +105°C

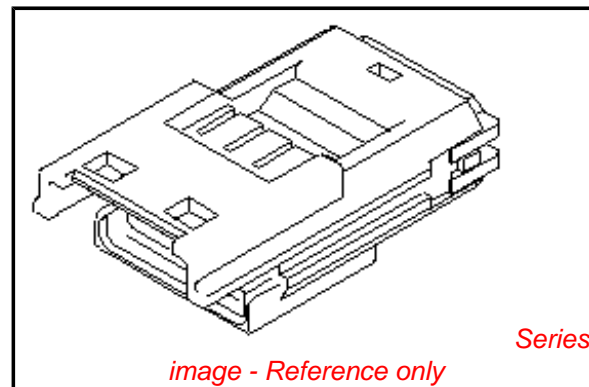
**Electrical**

Current - Maximum per Contact	3A
-------------------------------	----

**Material Info**

**Reference - Drawing Numbers**

Packaging Specification	SPK-52116-001
Product Specification	PS-52117-001, PS-52117-002
Sales Drawing	SD-52116-02**



**EU RoHS**

**ELV and RoHS  
Compliant**  
**REACH SVHC**  
 Not Reviewed  
**Halogen-Free  
Status**

**China RoHS**



**Need more information on product  
environmental compliance?**

Email [productcompliance@molex.com](mailto:productcompliance@molex.com)  
 For a multiple part number RoHS Certificate of  
 Compliance, [click here](#)

Please visit the [Contact Us](#) section for any  
 non-product compliance questions.

**Search Parts in this Series**

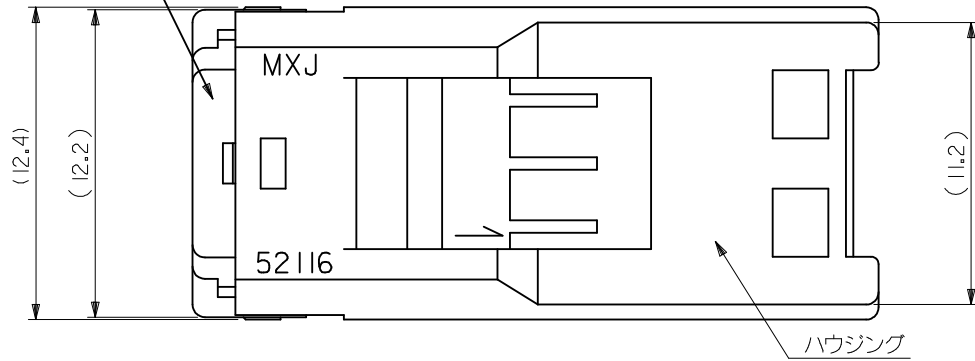
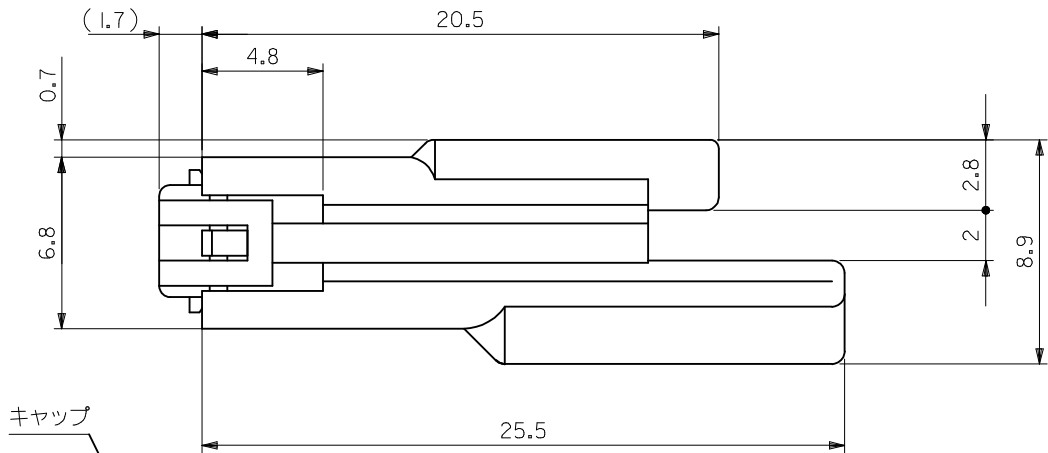
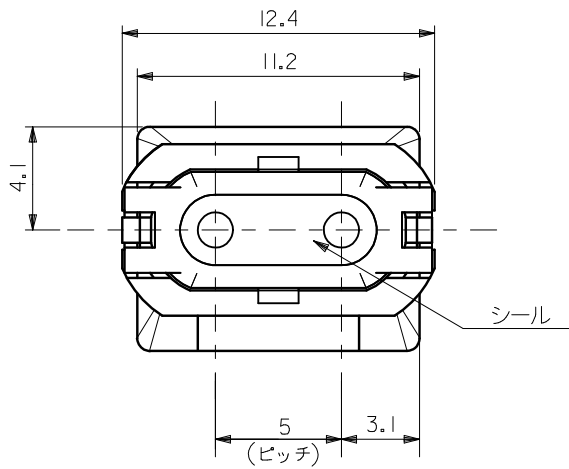
52116Series

**Mates With**

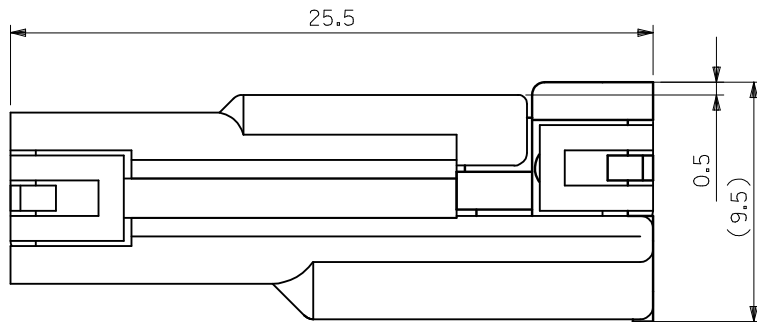
52117

**Use With**

50038



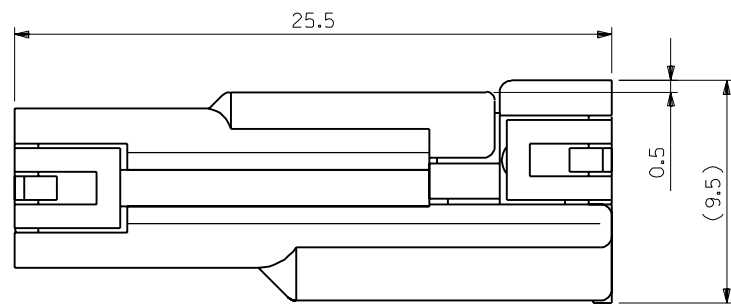
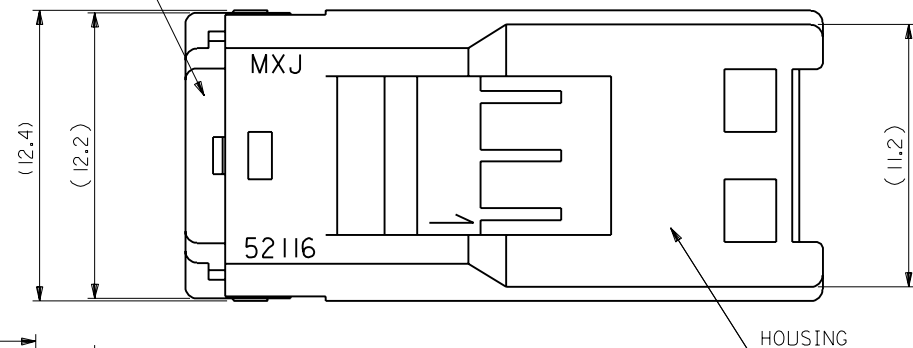
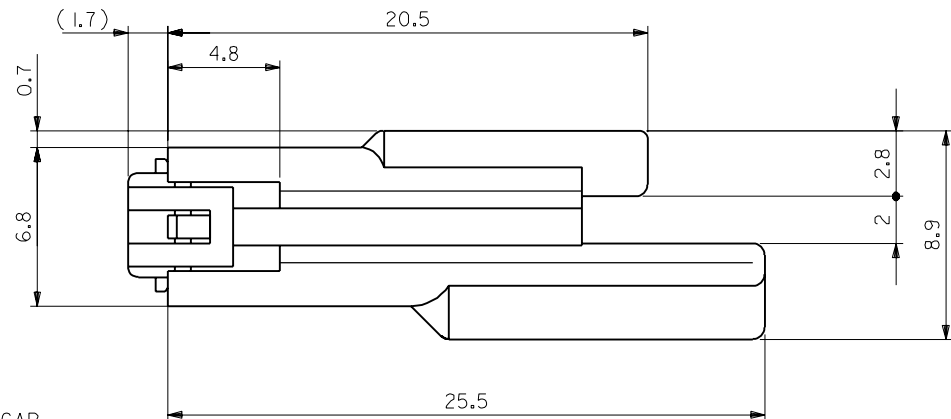
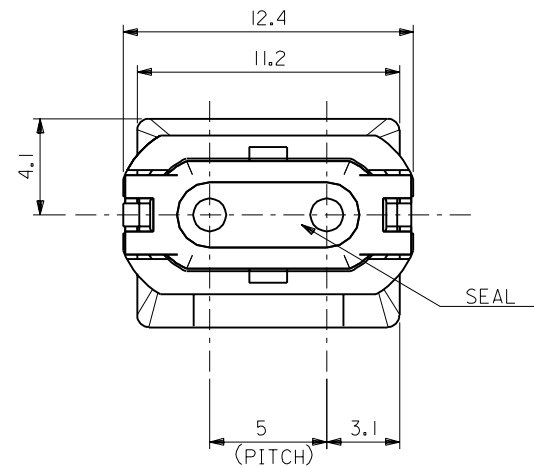
- 1.適合ターミナル: 50038-8\*00  
APPLICABLE TERMINAL: 50038-8\*00
- 2.材料  
MATERIAL  
キャップ: ポリエステル(ガラス入り)  
CAP: POLYESTER(GLASS FILLED)  
ハウジング: ポリエステル(ガラス入り)  
HOUSING: POLYESTER(GLASS FILLED)  
シール: シリコンゴム  
SEAL: SILICONE RUBBER
- 3.嵌合相手: 52117-02\*\*  
MATE WITH: 52117-02\*\*
- 4.表の色はハウジング色を表す.  
HOUSING COLOR IS SHOWN IN CHART
- 5.ELV及びRoHS適合品  
ELV AND RoHS COMPLIANT



嵌合状態図  
FULLY MATED CONDITION

AVSS0.3, AWG#20-22	白 WHITE	52116-0243
AVS0.3, AWG#20-22	赤 RED	52116-0242
AVS0.3, AWG#20-22	黒 BLACK	52116-0241
AVS0.3, AWG#20-22	白 WHITE	52116-0240
適応電線範囲 APPLICABLE WIRE RANGE		色 COLOR ENG. NO.

REVISED EC NO: JTR2009-0109 DRWN:SHIBATA 2009/03/31 CHKD:TAITO 2009/03/31 APPR:AKANEHIGE 2009/04/03	GENERAL TOLERANCES (UNLESS SPECIFIED)		DIMENSION STYLE MM ONLY		SCALE 5:1	DESIGN UNITS METRIC	THIRD ANGLE PROJECTION
	10 UNDER	±0.2	DRAWN BY Y. ASHIZAWA	DATE 1988/7/8	TITLE 2.5 SPLASH PROOF CONN. PLUG HSG ASSY W/POSITIVE LOCK		
	10 OVER 30 UNDER	±0.25	CHECKED BY M. SAKANO	DATE 1988/7/8	MOLEX INCORPORATED		
	30 OVER	±0.3	APPROVED BY M. ENOMOTO	DATE 1988/7/8	DOCUMENT NO. SD-52116-02**	SHEET NO. 1 OF 1	
	ANGULAR ±3 °	DRAFT WHERE APPLICABLE MUST REMAIN WITHIN DIMENSIONS		SEE CHART			
		THIS DRAWING CONTAINS INFORMATION THAT IS PROPRIETARY TO MOLEX INCORPORATED AND SHOULD NOT BE USED WITHOUT WRITTEN PERMISSION					



FULLY MATED CONDETION

- NOTES**
- ACCEPTS CRIMP TERMINAL:50038-8\*00
  - MATE'L :  
 CAP ;POLYESTER(15%G.F.)  
 HOUSING;POLYESTER(15%G.F.)  
 SEAL ;SILICONE
  - MATES WITH:52117-02\*\*
  - COLOR IN THE CHART INDICATES HOUSING COLOR

AVSO.3, AWG*20-22	RED	52116-0242
AVSO.3, AWG*20-22	BLACK	52116-0241
AVSO.3, AWG*20-22	WHITE	52116-0240
WIRE RANGE	COLOR	ENG. NO.

材料 MATERIAL		SEE NOTES	molex MOLEX-JAPAN CO.,LTD. 日本モレックス株式会社	
仕上げ FINISH		//	EDP. NO. //	
適用電線範囲 WIRE RANGE		SEE CHART	ENG. NO. SD-52116-02**	REV A
被覆外径 INS. RANGE		φ1.8-1.9	TITLE 名称 2.5 SPLASH PROOF CONN. PLUG HS'G ASS'Y W/POSITIVE LOCK	
DRAWN BY 7/8/88 Y.ASHIZAWA		CHK'D BY M.SAKANO	DATE 8/88	
APP'D BY M.ENOMOTO		尺度 SCALE 5-1		
角度 ANGLE	±3°			
30以上 OVER	+0.3	A	REVISED (J9021B)	3/16/89
10以上 30未満 UNDER	+0.25	O	RELEASED(J80600)	7/8/88
10未満 UNDER	+0.2	記号 LTR	変更内容 REVISION RECORD	DR. CHK. DATE
一般公差 GENERAL TOLERANCES		REVISE ONLY ON CAD SYSTEM		