

**PLEASE CHECK WWW.MOLEX.COM FOR LATEST PART INFORMATION**

**Part Number:** [0530480510](#)  
**Status:** **Active**  
**Overview:** [picoblade](#)  
**Description:** 1.25mm (.049") Pitch PicoBlade™ Header, Right Angle, 5 Circuits

**Documents:**

[3D Model](#) [Product Specification PS-51021-010 \(PDF\)](#)  
[Drawing \(PDF\)](#) [RoHS Certificate of Compliance \(PDF\)](#)

**General**

Product Family	PCB Headers
Series	<a href="#">53048</a>
Application	Wire-to-Board
Overview	<a href="#">picoblade</a>
Product Name	PicoBlade™

**Physical**

Breakaway	No
Circuits (Loaded)	5
Circuits (maximum)	5
Color - Resin	Natural
First Mate / Last Break	No
Glow-Wire Compliant	No
Guide to Mating Part	No
Keying to Mating Part	None
Lock to Mating Part	Yes
Mated Height (in)	0.138 In
Mated Height (mm)	3.50 mm
Material - Plating Mating	Tin
Material - Resin	Nylon
Number of Rows	1
Orientation	Right Angle
PC Tail Length (in)	0.091 In
PC Tail Length (mm)	2.30 mm
PCB Locator	No
PCB Retention	None
PCB Thickness Recommended (in)	0.031 In
PCB Thickness Recommended (mm)	0.80 mm
Packaging Type	Tray
Pitch - Mating Interface (in)	0.049 In
Pitch - Mating Interface (mm)	1.25 mm
Polarized to PCB	No
Shrouded	Fully
Stackable	No
Temperature Range - Operating	-40°C to +85°C
Termination Interface: Style	Through Hole

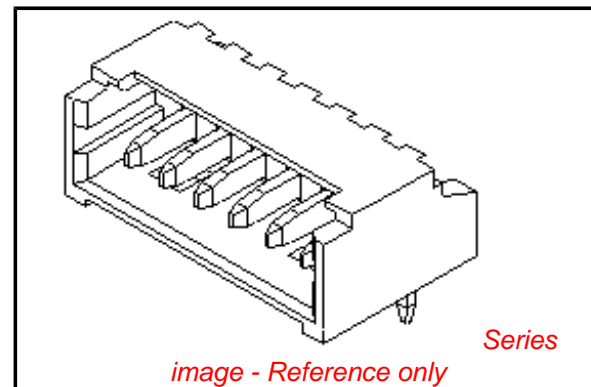
**Electrical**

Current - Maximum per Contact	1A
Voltage - Maximum	125V

**Material Info**

**Reference - Drawing Numbers**

Packaging Specification	SPK-53048-001
-------------------------	---------------



*image - Reference only*

**EU RoHS**

**ELV and RoHS  
Compliant**

**REACH SVHC**

Not Reviewed

**Halogen-Free**

**Status**

**Not Halogen-Free**

**China RoHS**



**Need more information on product  
environmental compliance?**

Email [productcompliance@molex.com](mailto:productcompliance@molex.com)  
 For a multiple part number RoHS Certificate of  
 Compliance, [click here](#)

Please visit the [Contact Us](#) section for any  
 non-product compliance questions.

**Search Parts in this Series**

[53048Series](#)

**Mates With**

[51021 PicoBlade™ Wire-to-Wire](#)

Product Specification

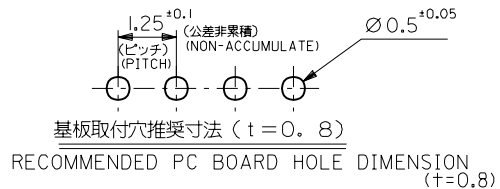
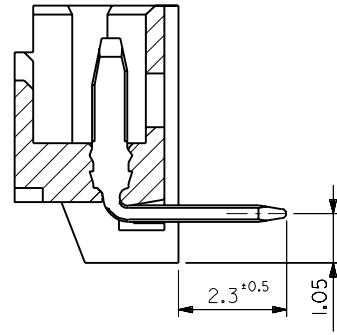
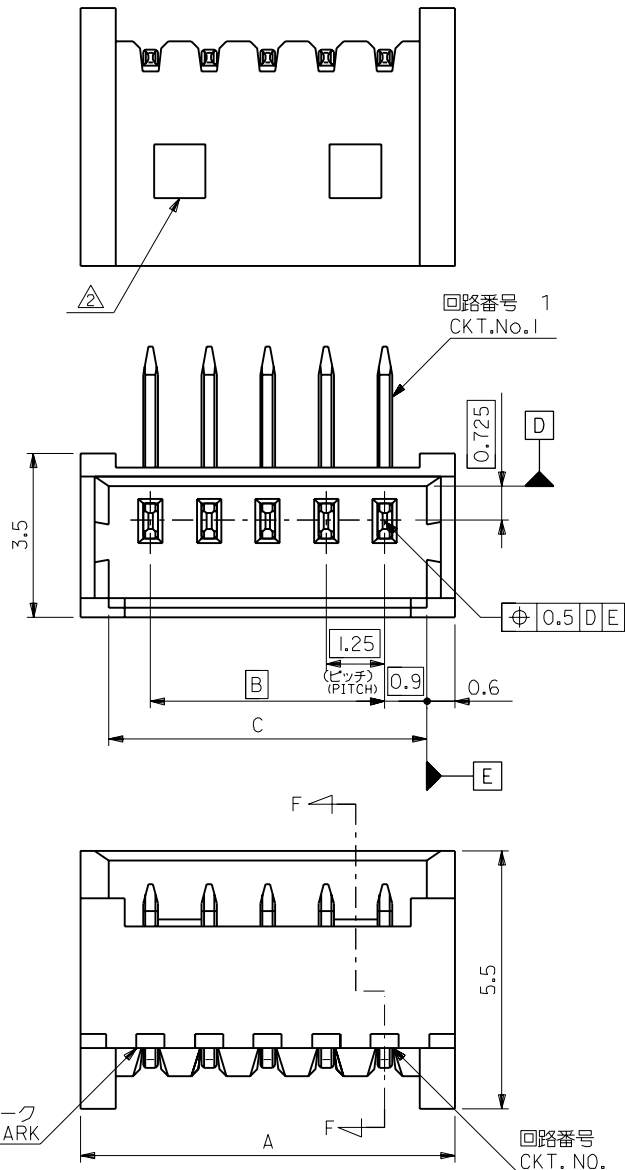
Sales Drawing

PS-51021-010, RPS-51021-007, RPS-51021-011,  
RPS-51021-048, RPS-51021-059, RPS-51021-060,  
RPS-51021-071, RPS-51021-089  
SD-53048-\*\*10

This document was generated on 05/26/2010

**PLEASE CHECK [WWW.MOLEX.COM](http://WWW.MOLEX.COM) FOR LATEST PART INFORMATION**

トレードマーク  
TRADE MARK



注記  
NOTES

1. 嵌合相手: 51021-\*\*-00  
MATE WITH: 51021-\*\*-00
- △ ロック窓は、2、3極が1ヶ所、4~15極が2ヶ所とする。  
WINDOW OF LOCK CONSTRUCTED 1 POINT BY 2,3POLES  
AND 2POINTS BY 4~15POLES.

19.3	17.5	20.5	53048-1510	15
18.05	16.25	19.25	-1410	14
16.8	15	18	-1310	13
15.55	13.75	16.75	-1210	12
14.3	12.5	15.5	-1110	11
13.05	11.25	14.25	-1010	10
11.8	10	13	-0910	9
10.55	8.75	11.75	-0810	8
9.3	7.5	10.5	-0710	7
8.05	6.25	9.25	-0610	6
6.8	5	8	-0510	5
5.55	3.75	6.75	-0410	4
4.3	2.5	5.5	-0310	3
3.05	1.25	4.25	53048-0210	2
C	B	A	ENG. NO.	極数

角度 ANGLE	±3°								材料 ピン:リン青銅、錫メッキ MATERIAL PIN:PHOSPHOR BRONZE, TIN PLATE
30以上 OVER	+0.3								フェーハ:66ナイロン、UL94V-0 WAFER:66NYLON,UL94V-0
10以上 30未満 OVER UNDER	+0.25								仕上げ FINISH
10未満 UNDER	+0.2								適用電線範囲 WIRE RANGE
一般公差 GENERAL TOLERANCES									被覆外径 INS. RANGE
記号 LTR	変更内容 REVISION RECORD	再作図 REDRAWN (JC70378)	S.A	M.F	96/06/11				DRAWN BY '96/06/11 S.ANDO
			DR.	CHK.	日付 DATE				CHK'D BY '96/06/11 M.FUKUSHIMA
									APP'D BY '96/06/11 M.ENOMOTO
									尺 SCALE 10 : 1

**molex** MOLEX-JAPAN CO.,LTD.  
日本モレックス株式会社

REVISE ONLY ON CAD SYSTEM

TITLE 名称  
1.25 WIRE TO BOARD  
CONN. WAFER ASS'Y R/A

DWG. NO. SD-53048-\*\*-10 REV C