

PLEASE CHECK WWW.MOLEX.COM FOR LATEST PART INFORMATION

Part Number: [0681451211](#)
Status: **Active**
Description: 2.50mm (.098") Pitch Wire-to-Board Header, 1.02mm (.040") Tab Type, Vertical, 12 Circuits, Black

Documents:

[3D Model](#) [Product Specification PS-68145-002 \(PDF\)](#)
[Drawing \(PDF\)](#) [RoHS Certificate of Compliance \(PDF\)](#)

General

Product Family	PCB Headers
Series	68145
Application	Wire-to-Board
Product Name	N/A

Physical

Breakaway	No
Circuits (Loaded)	12
Circuits (maximum)	12
Color - Resin	Black
Durability (mating cycles max)	50
First Mate / Last Break	No
Glow-Wire Compliant	No
Guide to Mating Part	No
Keying to Mating Part	None
Lock to Mating Part	Yes
Material - Metal	Brass
Material - Plating Mating	Tin
Material - Plating Termination	Tin
Material - Resin	Polyester
Number of Rows	2
Orientation	Vertical
PC Tail Length (in)	0.146 In
PC Tail Length (mm)	3.70 mm
PCB Locator	Yes
PCB Retention	Yes
PCB Thickness Recommended (in)	0.047 In
PCB Thickness Recommended (mm)	1.20 mm
Packaging Type	Tray
Pitch - Mating Interface (in)	0.098 In
Pitch - Mating Interface (mm)	2.50 mm
Pitch - Term. Interface (in)	0.098 In
Pitch - Term. Interface (mm)	2.50 mm
Plating min: Mating (µin)	32
Plating min: Mating (µm)	0.80
Plating min: Termination (µin)	32
Plating min: Termination (µm)	0.80
Polarized to Mating Part	Yes
Polarized to PCB	No
Shrouded	Closed Ends
Stackable	No
Surface Mount Compatible (SMC)	No
Temperature Range - Operating	-30°C to +85°C
Termination Interface: Style	Through Hole

Electrical

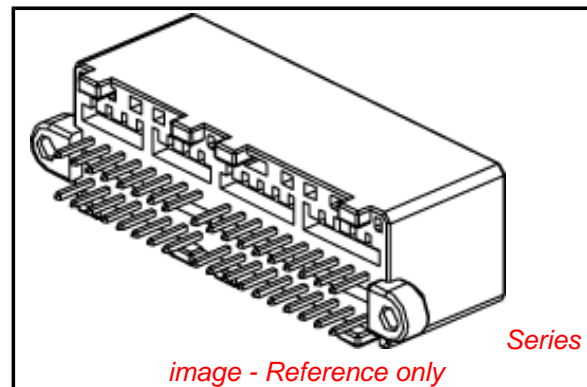


image - Reference only

EU RoHS

ELV and RoHS Compliant
REACH SVHC
 Not Reviewed
Halogen-Free Status

China RoHS



Need more information on product environmental compliance?

Email productcompliance@molex.com
 For a multiple part number RoHS Certificate of Compliance, [click here](#)

Please visit the [Contact Us](#) section for any non-product compliance questions.

Search Parts in this Series

[68145Series](#)

Mates With

[64002](#) Crimp Housing. [35563](#) Crimp Housing

Current - Maximum per Contact
Voltage - Maximum

5A
13V DC (RMS)

Material Info

Reference - Drawing Numbers

Product Specification
Sales Drawing

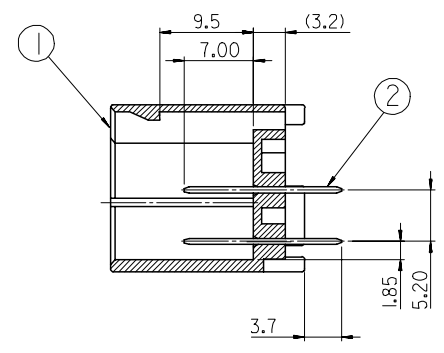
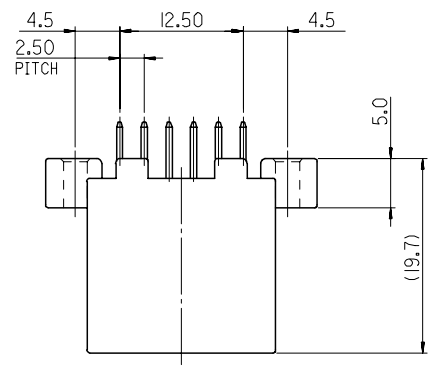
PS-68145-002
SD-68145-212

This document was generated on 04/07/2010

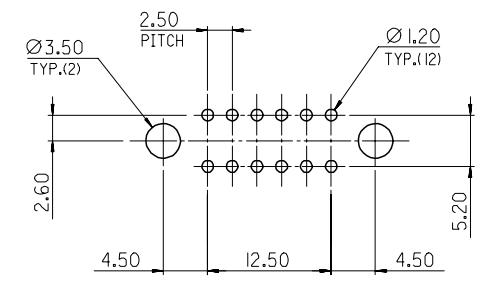
PLEASE CHECK WWW.MOLEX.COM FOR LATEST PART INFORMATION

DO NOT SCALE DRAWING DIMENSION IN METRIC
 PROJECT NO.
 SIMILAR ITEM
 DWG. NO. SD-68145-212

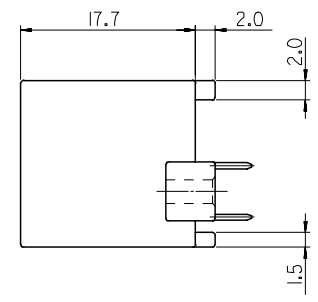
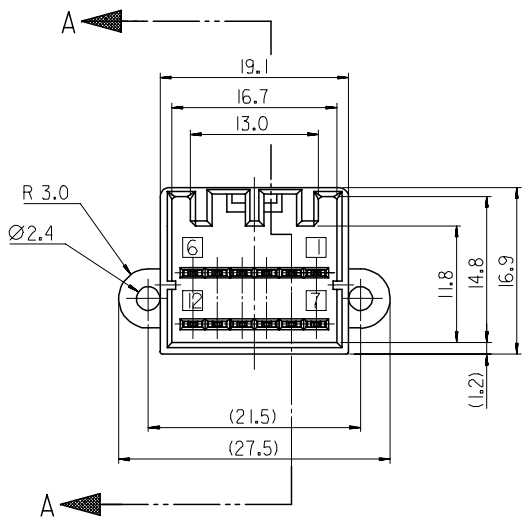
NO.	PART NO.	COLOR
1	68145-1211	BLACK
2	68145-1215	GRAY
3	68145-1216	WHITE



SECTION A-A



RECOMMENDED P.C.B HOLE DIM.(MOUNT SIDE)



NOTES

1. APPLICABLE FEMALE HOUSING : 64002-121*

NO.	DESCRIPTION	MATERIAL	REMARK
①	HOUSING	PBT, G/F 15%	UL94HB
②	PIN	BRASS	PRE-TIN PLATED

ADDED OF PART EC NO. KOR2006-0147 DRWN: EOKIM 06/06/01 CHK: BC.YOON 06/06/01 APPR: SH.CHOI 06/06/01	QUALITY SYMBOLS MAJOR CRITICAL	GENERAL TOLERANCES: (UNLESS SPECIFIED)		SCALE 2:1	DESIGN UNITS <input checked="" type="checkbox"/> mm <input type="checkbox"/> INCH	THIRD ANGLE PROJECTION	DIMENSIONS: <input type="checkbox"/> mm <input type="checkbox"/> INCH <input checked="" type="checkbox"/> mm ONLY	SHT REV	
		4 PLACES ±0.	3 PLACES ±0.	2 PLACES ±0.25	1 PLACE ±0.30	DRAWN BY & DATE BC.YOON 02/07/22		TITLE: .040 WIRE TO BOARD CONNECTOR 12P HEADER ASS'Y (VTL)	
		ANGULAR: ± 1 °		DRAFT WHERE APPLICABLE MUST REMAIN WITHIN DIMENSIONS		CHECKED BY & DATE YSIK.KIM 02/07/22		APPROVED BY & DATE CW.LEE 02/07/22	
		CAD FILENAME S6814512C.mi		MATERIAL NO. SEE TABLE		DRAWING NO. SD-68145-212		SHEET NO. 1 OF 1	

THIS DRAWING CONTAINS INFORMATION THAT IS PROPRIETARY TO MOLEX INCORPORATED AND SHOULD NOT BE USED WITHOUT WRITTEN PERMISSION.

SIZE B

MX-A3