

PLEASE CHECK WWW.MOLEX.COM FOR LATEST PART INFORMATION

Part Number: **0751952502**
Status: **Active**
Overview: vhdm_hsd
Description: 2.00mm (.079") Pitch 6-Row VHDM® Lite Backplane Header, Left Shield End Version, 6 Row, 150 Circuits, Pin Length 6.25mm (.246")

Documents:

[Drawing \(PDF\)](#) [RoHS Certificate of Compliance \(PDF\)](#)
[Product Specification PS-74031-999 \(PDF\)](#)

General

Product Family	Backplane Connectors
Series	75195
Application	Backplane
Application Tooling Documents	Tooling Manual
Comments	No Keying Position
Component Type	PCB Header
Overview	vhdm_hsd
Product Name	VHDM Lite®
Style	N/A

Physical

Circuits (Loaded)	150
Circuits (maximum)	150
Color - Resin	Black
Durability (mating cycles max)	200
First Mate / Last Break	No
Guide to Mating Part	Yes
Keying to Mating Part	None
Material - Metal	High Performance Alloy (HPA), Stainless Steel
Material - Plating Mating	Gold
Material - Plating Termination	Tin-Lead
Material - Resin	High Temperature Thermoplastic
Number of Columns	25
Number of Pairs	Open Pin Field
Number of Rows	6
Orientation	Vertical
PC Tail Length (in)	0.098 In
PC Tail Length (mm)	2.50 mm
PCB Locator	No
PCB Retention	Yes
PCB Thickness Recommended (in)	0.071 In
PCB Thickness Recommended (mm)	1.80 mm
Packaging Type	Tube
Pitch - Mating Interface (in)	0.079 In
Pitch - Mating Interface (mm)	2.00 mm
Pitch - Term. Interface (in)	0.079 In
Pitch - Term. Interface (mm)	2.00 mm
Plating min: Mating (µin)	30
Plating min: Mating (µm)	0.75
Plating min: Termination (µin)	30
Plating min: Termination (µm)	0.75
Polarized to PCB	No
Stackable	No
Surface Mount Compatible (SMC)	Yes

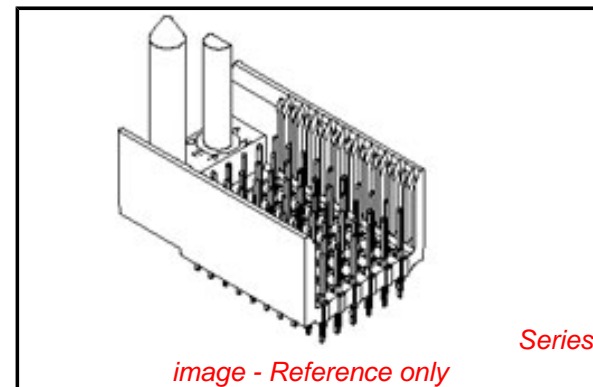


image - Reference only

EU RoHS

RoHS Compliant by Exemption
REACH SVHC
Contains SVHC: No
Halogen-Free
Status
Halogen-Free

China RoHS



Pb

Need more information on product environmental compliance?

Email productcompliance@molex.com
For a multiple part number RoHS Certificate of Compliance, [click here](#)

Please visit the [Contact Us](#) section for any non-product compliance questions.

Search Parts in this Series

75195Series

Mates With

75189 VHDM® Lite Board-to-Board Daughtercard

Use With

Daughtercard Modules

Application Tooling | FAQ

Tooling specifications and manuals are found by selecting the products below. Crimp Height Specifications are then contained in the Application Tooling Specification document.

Global

Description	Product #
VHDM® Signal Pin Inserter Repair Tool	0622015700
VHDM® Insertion Module for Standard Shield Signal Header, 6 Row by	0622020208

Temperature Range - Operating
Termination Interface: Style

105°C
Through Hole - Compliant Pin

25 Wide, 50.00mm
(1.97")

Electrical

Current - Maximum per Contact 2A
Data Rate 622.0 Mbps
Real Signals (per 25mm) 76
Shielded No
Voltage - Maximum 120V AC (RMS)/DC

Material Info

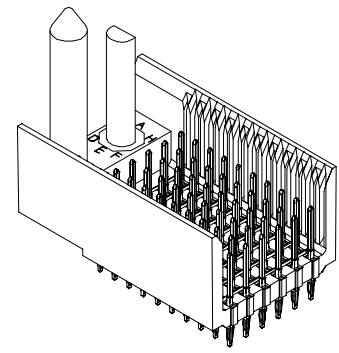
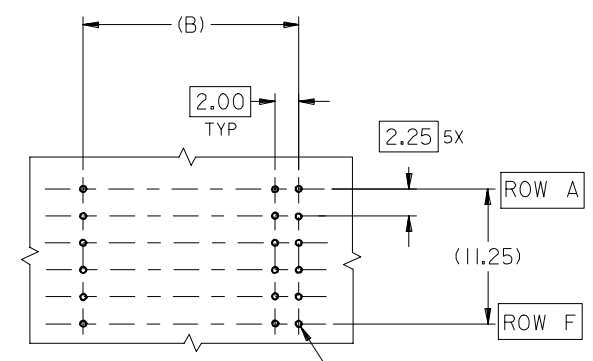
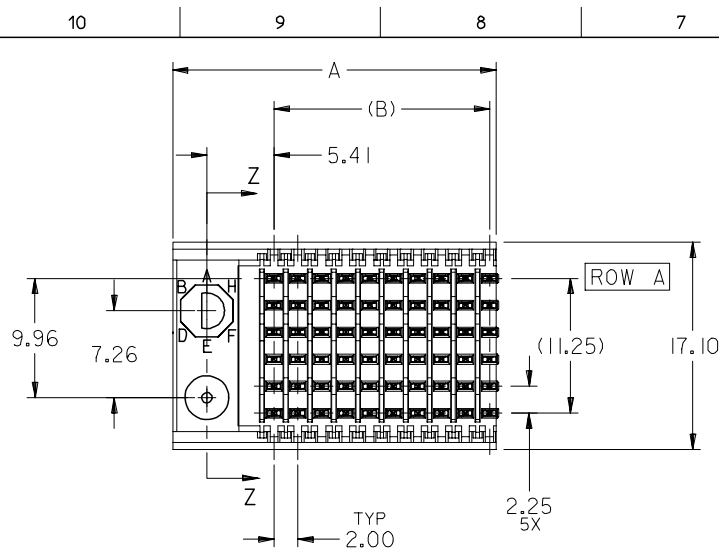
Reference - Drawing Numbers

Product Specification PS-74031-999
Sales Drawing SD-75195-001

VHDM and Very High Density Metric are trademarks of Amphenol Corporation

This document was generated on 05/28/2010

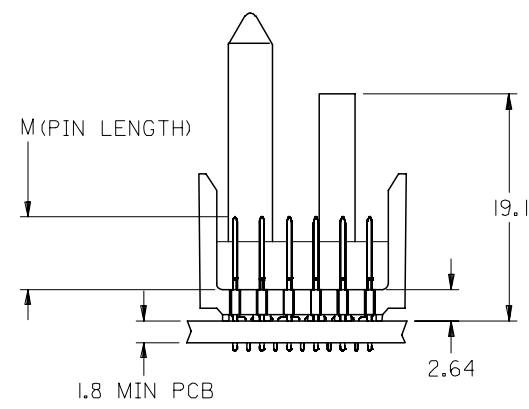
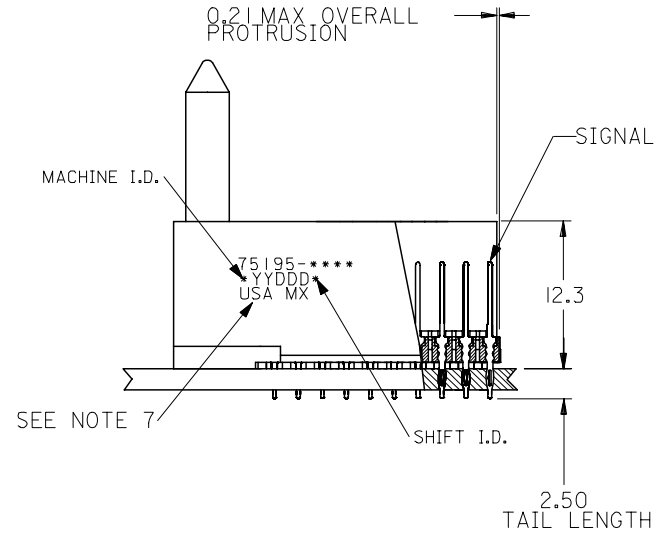
PLEASE CHECK WWW.MOLEX.COM FOR LATEST PART INFORMATION



BACKPLANE HOLE PATTERN
RECOMMENDED DIMENSIONS

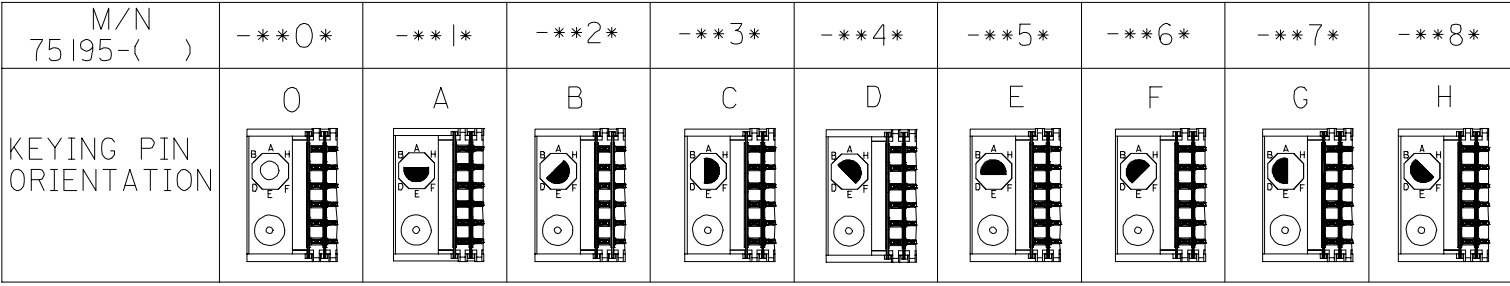
$\varnothing 0.56 \pm 0.05$ PTH
 $\varnothing 0.66$ DRILL
 $\varnothing 1.00$ PAD
 $\varnothing \varnothing 0.10$

- NOTES:
- MATERIALS:
HOUSING - LIQUID CRYSTAL POLYMER (LCP),
GLASS-FILLED, UL 94V-0, COLOR: BLACK
SIGNAL PIN - COPPER ALLOY
 - FINISHES:
CONTACT AREA: SELECTIVE GOLD (Au)
PCB TAILS: SELECTIVE TIN/LEAD (Sn/Pb)
OR SELECTIVE MATTE TIN (Sn)
NICKEL (Ni) OVERALL.
 - THIS PART CONFORMS TO MOLEX PRODUCT SPECIFICATION PS-74031-999
 - FOR MIXED CONTACT LENGTHS CONSULT MOLEX FOR AVAILABILITY
 - FOR SPECIFIC MATERIAL NUMBERS & MATING INFORMATION REFER TO SHEET 2
 - PACKAGE PER PK-74058-003
 - EITHER MARK PART WITH PART NUMBER & DATE CODE APPROXIMATELY WHERE SHOWN OR PLACE LABEL ON THE TUBE.



ADD LEADFREE PINS EC NO: UCP2006-0059 DRWN: KMULVEY 2005/07/13 CHKD: 2005/07/13 APPR: SREED 2005/07/15	DESCRIPTION REV	QUALITY SYMBOLS $\nabla=0$ $\nabla=0$	GENERAL TOLERANCES (UNLESS SPECIFIED) <table border="1"> <thead> <tr> <th></th> <th>mm</th> <th>INCH</th> </tr> </thead> <tbody> <tr> <td>4 PLACES</td> <td>\pm---</td> <td>\pm---</td> </tr> <tr> <td>3 PLACES</td> <td>\pm---</td> <td>\pm---</td> </tr> <tr> <td>2 PLACES</td> <td>\pm---</td> <td>\pm---</td> </tr> <tr> <td>1 PLACE</td> <td>\pm---</td> <td>\pm---</td> </tr> </tbody> </table>		mm	INCH	4 PLACES	\pm ---	\pm ---	3 PLACES	\pm ---	\pm ---	2 PLACES	\pm ---	\pm ---	1 PLACE	\pm ---	\pm ---	DIMENSION STYLE MM ONLY	SCALE 2.5:1	DESIGN UNITS METRIC	THIRD ANGLE PROJECTION
			mm	INCH																		
		4 PLACES	\pm ---	\pm ---																		
		3 PLACES	\pm ---	\pm ---																		
2 PLACES	\pm ---	\pm ---																				
1 PLACE	\pm ---	\pm ---																				
DRAFT WHERE APPLICABLE MUST REMAIN WITHIN DIMENSIONS			DRAWN BY MBANDURA 2003/01/06	DATE 2003/01/06	TITLE VHDM LITE 6 ROW SIGNAL END BACKPLANE SALES ASSEMBLY																	
			CHECKED BY NMARTIN 2003/01/06	DATE 2003/01/06	MOLEX INCORPORATED																	
			APPROVED BY CBIXLER 2003/01/06	DATE 2003/01/06	MATERIAL NO. SEE SHEET 2	DOCUMENT NO. SD-75195-001	SHEET NO. 1 OF 2															

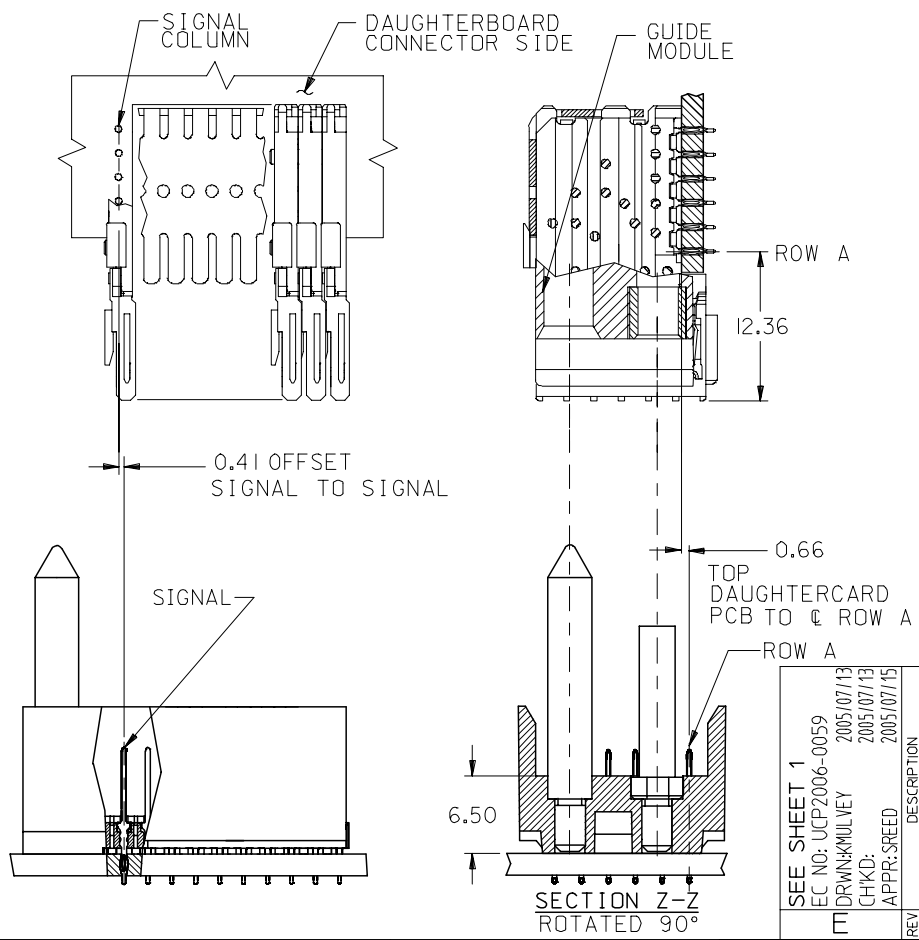
10 9 8 7 6 5 4 3 2 1



75195 * * * *

COLUMN/PLATING
 10 = 10 COLUMN TIN/LEAD
 25 = 25 COLUMN TIN/LEAD
 90 = 10 COLUMN MATTE TIN
 85 = 25 COLUMN MATTE TIN

CONTACT LOAD
 (PIN HEIGHT)
 1 = 4.75
 2 = 6.25
 3 = 4.25
 4 = 5.15



PART NUMBER	COLUMN	NUMBER OF SIGNAL PIN	NUMBER OF SHIELD	A	B	M	Au (um) THICKNESS	Sn (um) THICKNESS
75195-*0*1	10	60	0	27.00	18.00	4.75	0.76	0.76-1.52
75195-*5*1	25	150	0	57.00	48.00		---	
75195-*0*2	10	60	0	27.00	18.00	6.25	0.76	
75195-*5*2	25	150	0	57.00	48.00		---	
75195-*0*3	10	60	0	27.00	18.00	4.25	0.76	
75195-*5*3	25	150	0	57.00	48.00		---	
75195-*0*4	10	60	0	27.00	18.00	5.15	0.76	
75195-*5*4	25	150	0	57.00	48.00		---	

ib_frame_B_P_ME_T
Rev. D 2004/04/02

9 8 7 6 5 4 3 2 1

SEE SHEET 1
 EC NO: UCP2006-0059
 DRWN: KMILVEY 2005/07/13
 CHKD: 2005/07/13
 APPR: SREED 2005/07/15

QUALITY SYMBOLS
 $\nabla=0$
 $\nabla=0$

GENERAL TOLERANCES (UNLESS SPECIFIED)

	mm	INCH
4 PLACES	± ---	± ---
3 PLACES	± ---	± ---
2 PLACES	± ---	± ---
1 PLACE	± ---	± ---

ANGULAR ±1/2°

DRAFT WHERE APPLICABLE
MUST REMAIN WITHIN DIMENSIONS

DIMENSION STYLE
MM ONLY

SCALE
2.5:1

DESIGN UNITS
METRIC

THIRD ANGLE PROJECTION

DRAWN BY: MBANDURA DATE: 2003/01/06
 CHECKED BY: NMARTIN DATE: 2003/01/06
 APPROVED BY: CBIXLER DATE: 2003/01/06

TITLE
VHDM LITE 6 ROW
SIGNAL END BACKPLANE
SALES ASSEMBLY

MATERIAL NO.
SEE CHART

DOCUMENT NO.
SD-75195-001

SHEET NO.
2 OF 2

THIS DRAWING CONTAINS INFORMATION THAT IS PROPRIETARY TO MOLEX INCORPORATED AND SHOULD NOT BE USED WITHOUT WRITTEN PERMISSION