

**PLEASE CHECK WWW.MOLEX.COM FOR LATEST PART INFORMATION**

**Part Number:** **0871301100**  
**Status:** **Active**  
**Description:** 2.50mm (.098") Pitch Cable Holder, for Discrete Wire, Flat Cable and Ribbon Cable 11 Circuits

**Documents:**

[3D Model](#) [Product Specification PS-87130-001 \(PDF\)](#)  
[Drawing \(PDF\)](#) [RoHS Certificate of Compliance \(PDF\)](#)

**Agency Certification**

CSA LR19980

**General**

Product Family Ribbon Cable / Wire Trap Connectors  
 Series [87130](#)  
 Component Type One Piece  
 Glow-Wire Compliant No  
 Product Name Board-In, Cable Holder

**Physical**

Circuits (Loaded) 11  
 Circuits (maximum) 11  
 Color - Resin Natural  
 Entry Angle Vertical  
 Flammability 94V-0  
 Lock to Mating Part None  
 Material - Resin Polyester  
 Number of Rows 1  
 PCB Locator Yes  
 PCB Retention Yes  
 PCB Thickness Recommended (in) 0.062 In  
 PCB Thickness Recommended (mm) 1.60 mm  
 Packaging Type Bag  
 Pitch - Mating Interface (in) 0.098 In  
 Pitch - Mating Interface (mm) 2.50 mm  
 Pitch - Term. Interface (in) 0.098 In  
 Pitch - Term. Interface (mm) 2.50 mm  
 Polarized to Mating Part Yes  
 Polarized to PCB No  
 Shrouded Fully  
 Stackable No  
 Surface Mount Compatible (SMC) No  
 Temperature Range - Operating -25°C to +85°C  
 Wire Insulation Diameter 1.60mm (.063") max.  
 Wire Size AWG 24, 26  
 Wire/Cable Type Discrete Wire, Ribbon Cable

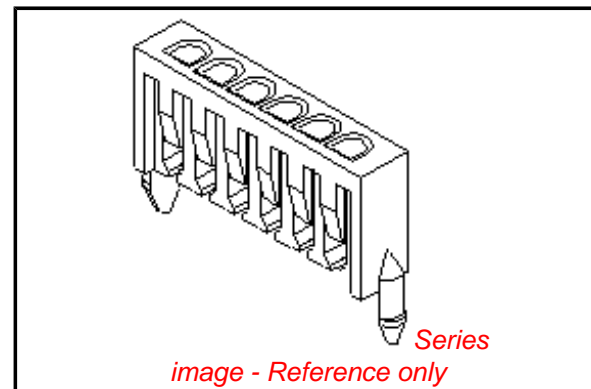
**Electrical**

Current - Maximum per Contact 1A  
 Voltage - Maximum 125V

**Material Info**

**Reference - Drawing Numbers**

Product Specification PS-87130-001  
 Sales Drawing SD-87130-\*\*00



**EU RoHS**

**ELV and RoHS Compliant**  
**REACH SVHC Contains SVHC: No**  
**Halogen-Free Status Not Reviewed**

**China RoHS**



**Need more information on product environmental compliance?**

Email [productcompliance@molex.com](mailto:productcompliance@molex.com)  
 For a multiple part number RoHS Certificate of Compliance, [click here](#)

Please visit the [Contact Us](#) section for any non-product compliance questions.

**Search Parts in this Series**

[87130Series](#)

**Mates With**

N/A

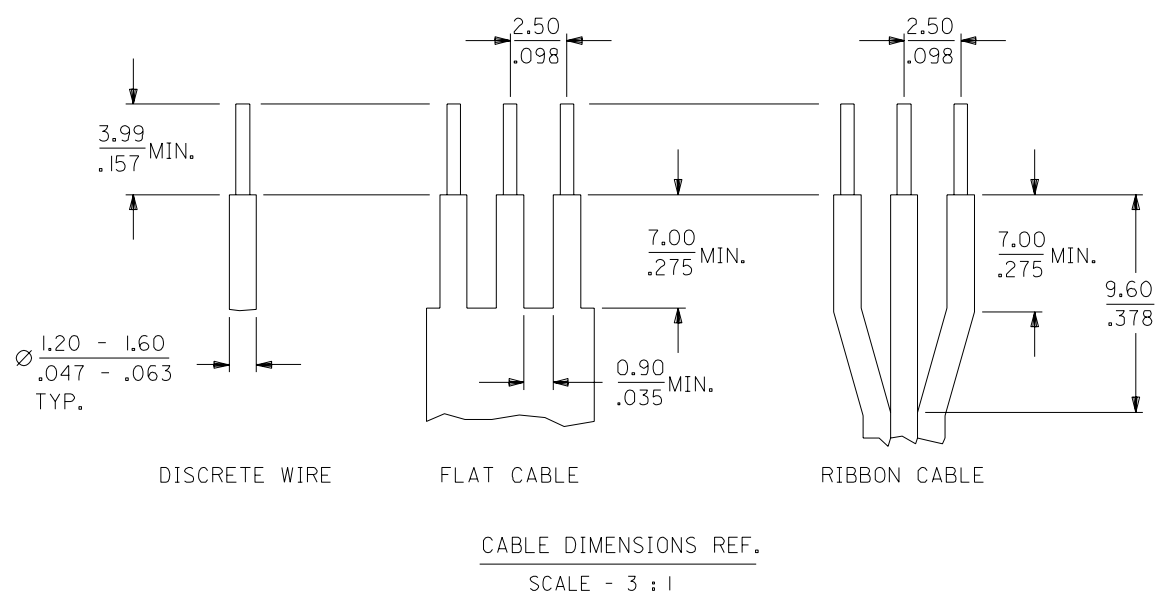
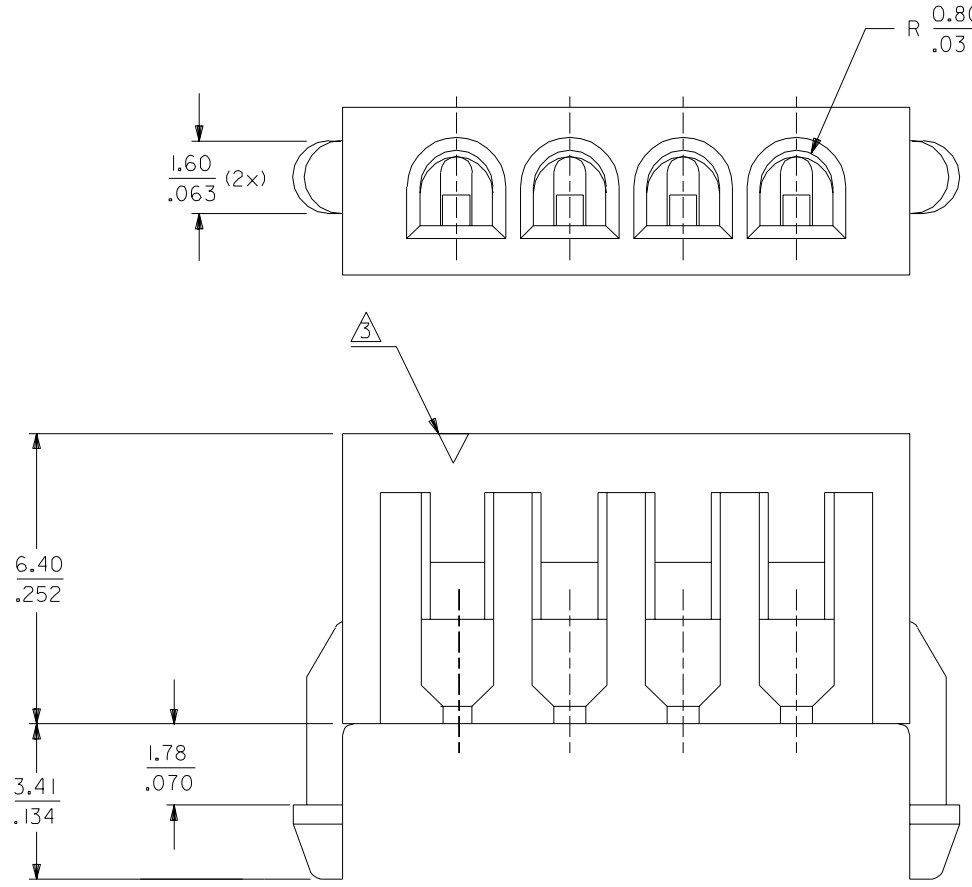
**Use With**

Discrete Wire, Flat Cable, or Ribbon Cable

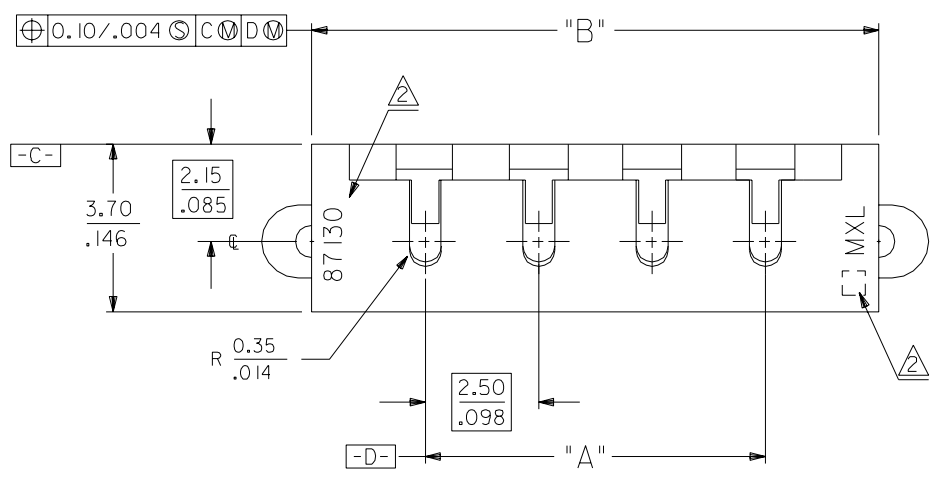
This document was generated on 04/19/2010

**PLEASE CHECK [WWW.MOLEX.COM](http://WWW.MOLEX.COM) FOR LATEST PART INFORMATION**

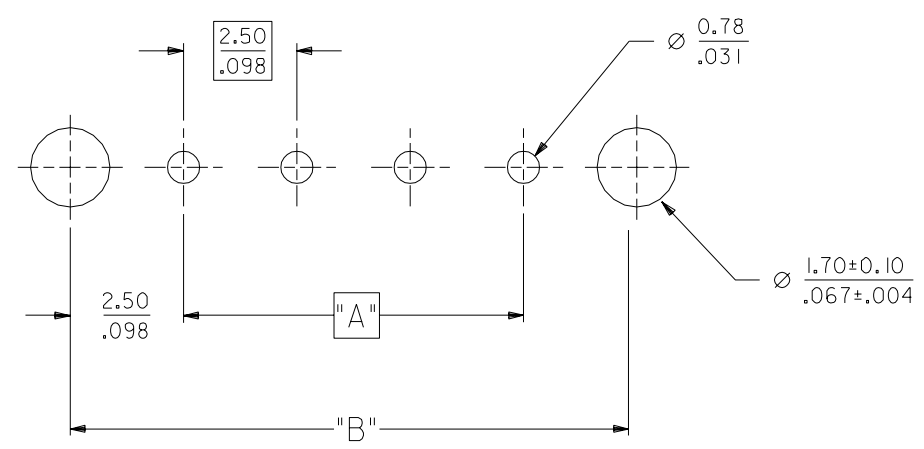
DWG. NO. SD 87130-\*\*-00  
 CAD FILE S87130.DGN



ENG. NO.	CKT SIZE	DIM "A"		DIM "B"	
		MM	INCH	MM	INCH
87130-0200	2	2.50	.098	7.50	.295
87130-0300	3	5.00	.197	10.00	.394
87130-0400	4	7.50	.295	12.50	.492
87130-0500	5	10.00	.394	15.00	.591
87130-0600	6	12.50	.492	17.50	.689
87130-0700	7	15.00	.591	20.00	.787
87130-0800	8	17.50	.689	22.50	.886
87130-0900	9	20.00	.787	25.00	.984
87130-1000	10	22.50	.886	27.50	1.083
87130-1100	11	25.00	.984	30.00	1.181
87130-1200	12	27.50	1.083	32.50	1.280
87130-1300	13	30.00	1.181	35.00	1.378
87130-1400	14	32.50	1.280	37.50	1.476
87130-1500	15	35.00	1.378	40.00	1.575
87130-1600	16	37.50	1.476	42.50	1.673
87130-1700	17	40.00	1.575	45.00	1.772
87130-1800	18	42.50	1.673	47.50	1.870
87130-1900	19	45.00	1.772	50.00	1.969
87130-2000	20	47.50	1.870	52.50	2.067



- NOTES:
- FOR ILLUSTRATION PURPOSES, 4 CIRCUITS HAS BEEN SHOWN.
  - MXL LOGO, CAVITY IDENT, ENG. NO., CKT IDENT TO BE AS LARGE AS POSSIBLE AND AS LOCATED.
  - 1st CKT IDENTIFICATION.
  - PARTS TO BE FLAT WITHIN .0045mm/mm AT WIRE ENTRY POSITION.
  - THIS WIRE HOLDER IS FOR USE WITH 26 TO 24 AWG WIRE.



RECOMMENDED P.C. BOARD LAYOUT  
 PCB THICKNESS = 1.57mm

MM  
 INCH

				MATERIAL : VALXO 310, UL 94V-0 COLOR : NATURAL		MOLEX SINGAPORE PTE LTD SHEET 1 OF 1	
				FINISH :		GENERAL TOLERANCES ± 0.20/.008	
AI	ADD 16 TO 20 CKT PER PDR*	-	SEE	991012	REV AI		
	99-09-9019 (ECN# S2000-0181)	-			DWG. NO.:		
A	RFM PER S1252		TAY	901116	SD 87130-**-00		
LTR	REVISION RECORD	ECN	DR	DATE	DRAWN BY T A Y 880518	CHK'D BY N K WONG 880519	TITLE :
REVISE ONLY ON CAD SYSTEM					APPR'D BY N K WONG 880520	SCALE 6 : 1	2.5mm CABLE HOLDER

DO NOT SCALE DRAWING