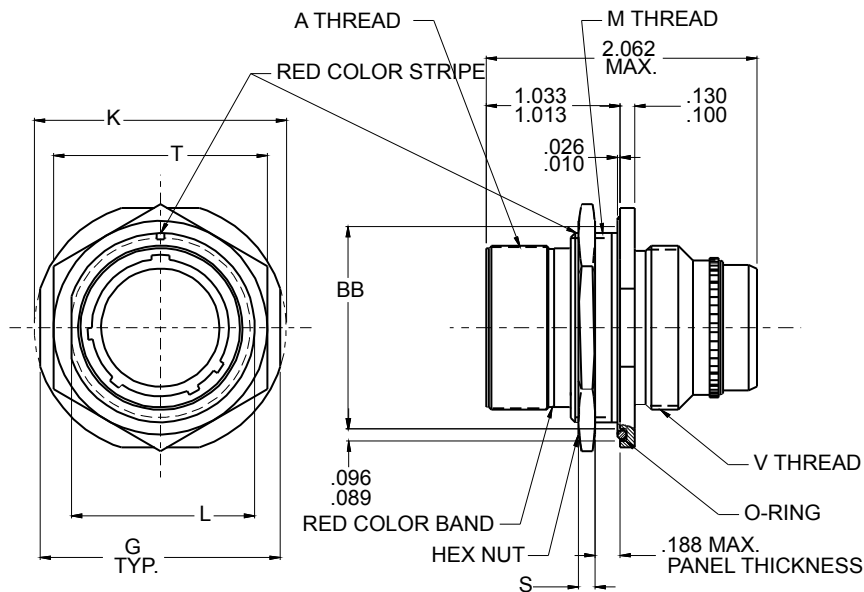


**HOW TO ORDER**

GLENAIR P/N:	900-014	NF	25	-	1	P	1
MILITARY P/N:	M28840/14	A	G	1	P	1	1

BASIC PART NUMBER KEY POSITION (SEE MIL-C-28840)  
 CLASS CODE (SEE MIL-C-28840) CONTACT STYLE (SEE MIL-C-28840)  
 SHELL SIZE (TABLE I) INSERT ARRANGEMENT (SEE MIL-C-28840)


**TABLE I: CONNECTOR DIMENSIONS**

MILITARY SHELL SIZE	SHELL SIZE	A THREAD CLASS 2A	G ±0.01 (0.3)	K DIA. ±0.01 (0.3)	L ACROSS FLAT
A	11	.750-.1P-.2L-D.S.	1.264 (32.1)	1.358 (34.5)	.841 (21.4) .832 (21.1)
B	13	.875-.1P-.2L-D.S.	1.389 (35.3)	1.498 (38.0)	.966 (24.5) .957 (24.3)
C	15	1.062-.1P-.2L-D.S.	1.577 (40.1)	1.671 (42.4)	1.153 (29.3) 1.144 (29.1)
D	17	1.125-.1P-.2L-D.S.	1.639 (41.6)	1.733 (44.0)	1.216 (30.9) 1.207 (30.7)
E	19	1.312-.1P-.2L-D.S.	1.827 (46.4)	1.921 (48.8)	1.403 (35.6) 1.394 (35.4)
F	23	1.500-.1P-.2L-D.S.	2.014 (51.2)	2.108 (53.5)	1.591 (40.4) 1.582 (40.2)
G	25	1.625-.1P-.2L-D.S.	2.139 (54.3)	2.233 (56.7)	1.716 (43.6) 1.701 (43.2)
H	29	1.812-.1P-.2L-D.S.	2.327 (59.1)	2.425 (61.6)	1.903 (48.3) 1.894 (48.1)
J	33	2.000-.1P-.2L-D.S.	2.514 (63.9)	2.608 (66.2)	2.091 (53.1) 2.082 (52.9)

TABLE I (CONTINUED): CONNECTOR DIMENSIONS

MILITARY SHELL SIZE	SHELL SIZE	M THREAD CLASS 2A	V THREAD CLASS 2A	BB DIA. ±.005 (0.1)	S NOM.	T ±.017 (0.4)
A	11	.875-20 UNEF	.750-20 UNEF	.974 (24.7)	.125 (3.2)	1.062 (27.0)
B	13	1.000-20 UNEF	.875-20 UNEF	1.099 (27.9)	.125 (3.2)	1.188 (30.2)
C	15	1.187-18 UNEF	1.000-20 UNEF	1.287 (32.7)	.125 (3.2)	1.375 (34.9)
D	17	1.250-18 UNEF	1.125-18 UNEF	1.449 (36.8)	.125 (3.2)	1.438 (36.5)
E	19	1.437-18 UNEF	1.250-18 UNEF	1.537 (39.0)	.125 (3.2)	1.625 (41.3)
F	23	1.625-18 UNF	1.437-18 UNEF	1.724 (43.8)	.125 (3.2)	1.812 (46.0)
G	25	1.750-18 UNS	1.562-18 UNEF	1.849 (47.0)	.189 (4.8)	2.000 (50.8)
H	29	1.937-16 N	1.875-16 UN	2.038 (51.8)	.189 (4.8)	2.188 (55.6)
J	33	2.125-16 UN	2.062-16 UNS	2.224 (56.5)	.189 (4.8)	2.375 (60.3)

**NOTES:**

1. INTERPRET PER MIL-STD-100.
2. SEE MIL-C-28840 FOR ADDITIONAL DESIGN DETAILS.

③ GLENAIR NF = CLASS A  
 GLENAIR ZU = CLASS B