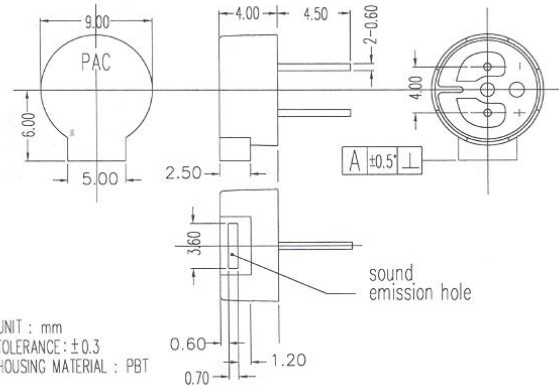
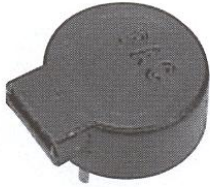




Product Data Sheet

Part No. GT-0915RP2 Non-Washable Type

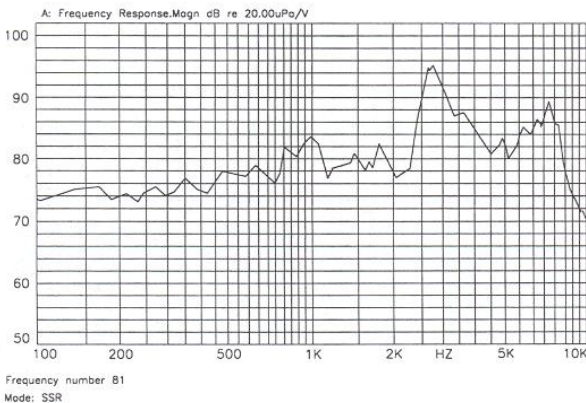
DIMENSIONS



φ 9 × H4

Type	Unit	
Color		Black
Rated Voltage	(V)	1.5
Operating Voltage	(V)	1-2
Current Consumption	(mA)	MAX.80
Coil Resistance	(Ω)	6.0±1
Sound Output (Min)	(dB)	90(Typ)
Resonance Frequency	(Hz)	2730
Operating Temp	(C)	-20~+60
Storage Temp	(C)	-30~+70
Weight	(g)	1
Terminal		PIN TYPE
Dimension	mm	9 x H4
*applied voltage: Rated Voltage, 1/2 duty, square wave		
*distance for measurement: 10cm		

FREQUENCY RESPONSE



Soberton Inc.

Product Data Sheet

