

**PLEASE CHECK WWW.MOLEX.COM FOR LATEST PART INFORMATION**

**Part Number:** **0039000285**  
**Status:** **Active**  
**Overview:** standard\_093  
**Description:** 2.36mm (.093") Diameter, Standard .093" Pin and Socket Crimp Terminal, Series 1381, Female, with Tin (Sn) over Copper Plated Brass Contact, 18-24 AWG, Reel, with Dimple

**Documents:**

[Drawing \(PDF\)](#) [Product Specification PS-1381-007 \(PDF\)](#)  
[Product Specification PS-1381-006 \(PDF\)](#) [RoHS Certificate of Compliance \(PDF\)](#)

**General**

Product Family	Crimp Terminals
Series	<u>1381</u>
Crimp Quality Equipment	Yes
Overview	<u>standard_093</u>
Product Name	Standard .093"

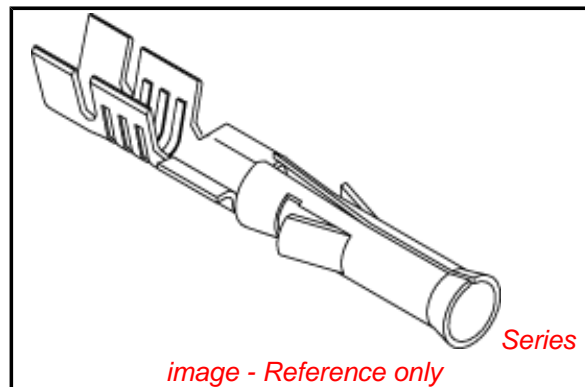
<b>Physical</b>	
Gender	Female
Material - Metal	Brass
Material - Plating Mating	Tin
Material - Plating Termination	Tin
Packaging Type	Reel
Plating min: Mating (µin)	35
Plating min: Mating (µm)	0.88
Plating min: Termination (µin)	35
Plating min: Termination (µm)	0.88
Termination Interface: Style	Crimp or Compression
Wire Insulation Diameter	1.50-3.10mm (.059-.122")
Wire Size AWG	18, 20, 22, 24
Wire Size mm <sup>2</sup>	N/A

**Material Info**

Old Part Number 1381T

**Reference - Drawing Numbers**

Product Specification PS-1381-006, PS-1381-007, RPS-1380-001  
 Sales Drawing SD-1381\*



**EU RoHS**

**ELV and RoHS Compliant**  
**REACH SVHC Contains SVHC: No**  
**Halogen-Free Status**

**China RoHS**



**Need more information on product environmental compliance?**

Email [productcompliance@molex.com](mailto:productcompliance@molex.com)  
 For a multiple part number RoHS Certificate of Compliance, [click here](#)

Please visit the [Contact Us](#) section for any non-product compliance questions.

**Search Parts in this Series**

[1381Series](#)

**Use With**

[3191r](#)

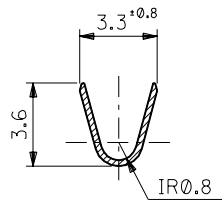
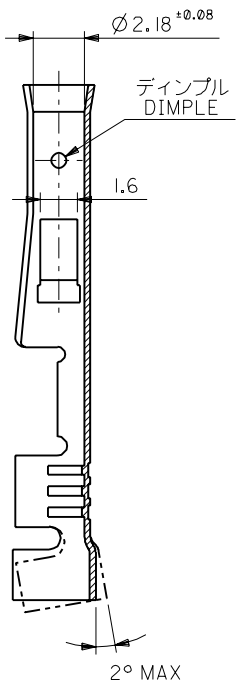
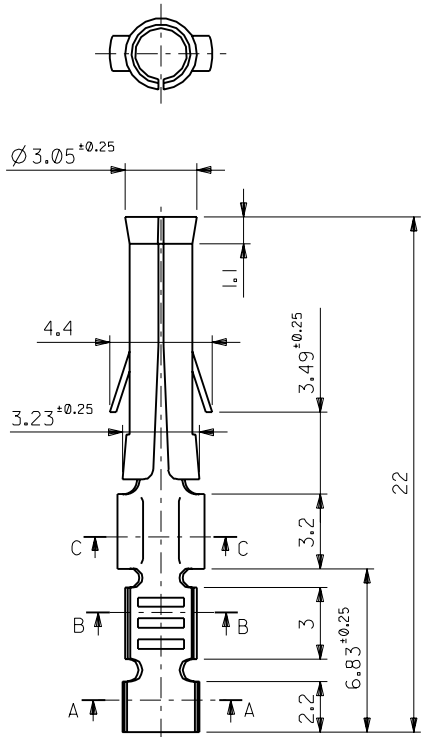
**Application Tooling | FAQ**

*Tooling specifications and manuals are found by selecting the products below. Crimp Height Specifications are then contained in the Application Tooling Specification document.*

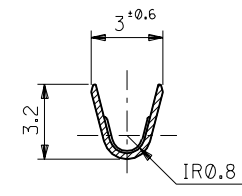
**Global**

Description	Product #
Mini-Mac™ Applicator	<a href="#">0638927000</a>
Mini-Mac™ Applicator	<a href="#">0638924000</a>
Extraction Tool	<a href="#">0011030006</a>
Terminator Die	<a href="#">0011402002</a>

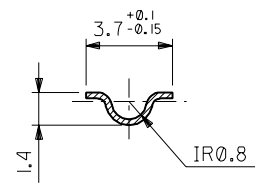
**PLEASE CHECK [WWW.MOLEX.COM](http://WWW.MOLEX.COM) FOR LATEST PART INFORMATION**



SECT. A-A



SECT. B-B



SECT. C-C

注記 NOTES:

1. 一般公差: ±0.4  
GENERAL TOLERANCES: ±0.4

ニッケル (2 μm MIN.) 下地 金 (0.35 μm MIN.) GOLD (0.35 μm MIN.) OVER NICKEL (2 μm MIN.)	無 NO	39-00-0314	I381AGL	バラ端子 LOOSE
		39-00-0312	I381AG	連鎖状端子 CHAIN
銅 (3 μm MIN.) 下地 錫 (0.5 μm MIN.) OVER COPPER (3 μm MIN.)	有 YES	39-00-0313	I381GL	バラ端子 LOOSE
		39-00-0311	I381G	連鎖状端子 CHAIN
銅 (0.5 μm MIN.) 下地 錫 (0.9 μm MIN.) OVER COPPER (0.5 μm MIN.)	無 NO	39-00-0310	I381AT2L	バラ端子 LOOSE
		39-00-0309	I381AT2	連鎖状端子 CHAIN
メッキ PLATING	無 NO	39-00-0308	I381ATL	バラ端子 LOOSE
		39-00-0284	I381AT	連鎖状端子 CHAIN
	有 YES	39-00-0307	I381ITL	バラ端子 LOOSE
		39-00-0285	I381IT	連鎖状端子 CHAIN
	EDP.NO.	ENG.NO.	形状 FORM	

角度 ANGLE	±3°				
30°以上 OVER	+0.3				
10°以上 30°未満 OVER UNDER	+0.25				
10°未満 UNDER	+0.2				
一般公差 GENERAL TOLERANCES					
記号 LTR	変更内容 REVISION RECORD	DR. CHK.	日付 DATE		
	REDRAWN (J30673) 再作図	H.H.	93/07/06		

材料 MATERIAL	黄銅 BRASS 0.264t
仕上げ FINISH	—
適用電線範囲 WIRE RANGE	AWG# 18-#24
被覆外径 INS. RANGE	φ 1.5~3.1
DRAWN BY 93/07/06	CHK'D BY 93/07/06
H.HASEGAWA	H.HIRAMOTO
APP'D BY 93/07/06	尺度 SCALE 5 : 1
M.FUKUSHIMA	

molex MOLEX-JAPAN CO.,LTD. 日本モレックス株式会社	
REVISE ONLY ON CAD SYSTEM	
TITLE 名称	
.093 DIA. FEMALE TERM.	
DWG. NO.	REV
SD-1381*	H