

**PLEASE CHECK WWW.MOLEX.COM FOR LATEST PART INFORMATION**

**Part Number:** [0351500200](#)  
**Status:** **Active**  
**Overview:** [versablade](#)  
**Description:** 6.20mm (.244") Pitch Wire-to-Wire VersaBlade™ Hybrid Plug Housing, without Mounting Ears, 2 Circuits, Polyester UL94V-0, Natural

**Documents:**

[3D Model](#) [RoHS Certificate of Compliance \(PDF\)](#)  
[Drawing \(PDF\)](#)

**Agency Certification**

CSA	LR19980
TUV	R72090206
UL	E29179

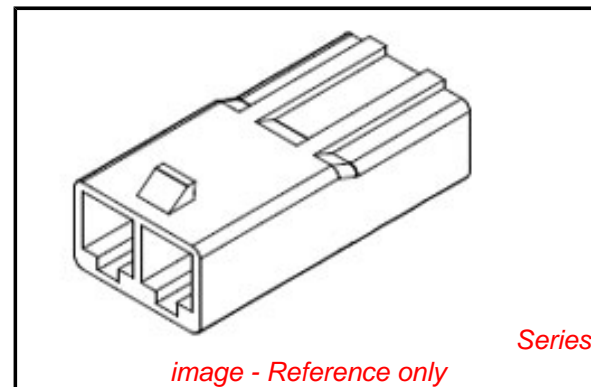
**General**

Product Family	Crimp Housings
Series	<a href="#">35150</a>
Comments	Polarized to Mating Part, Positive Lock
Overview	<a href="#">versablade</a>
Product Name	VersaBlade™

**Physical**

Circuits (maximum)	2
Color - Resin	Natural
Flammability	94V-0
Gender	Male
Glow-Wire Compliant	No
Keying to Mating Part	None
Lock to Mating Part	Yes
Material - Resin	Polyester
Number of Rows	1
Packaging Type	Bag
Panel Mount	No
Pitch - Mating Interface (in)	0.244 In
Pitch - Mating Interface (mm)	6.20 mm
Polarized to Mating Part	Yes
Stackable	No
Temperature Range - Operating	-30°C to +105°C

**Material Info**



**EU RoHS**

**ELV and RoHS Compliant**  
**REACH SVHC**  
 Not Reviewed  
**Halogen-Free Status**  
 Not Reviewed

**China RoHS**



**Need more information on product environmental compliance?**

Email [productcompliance@molex.com](mailto:productcompliance@molex.com)  
 For a multiple part number RoHS Certificate of Compliance, [click here](#)

Please visit the [Contact Us](#) section for any non-product compliance questions.

**Search Parts in this Series**

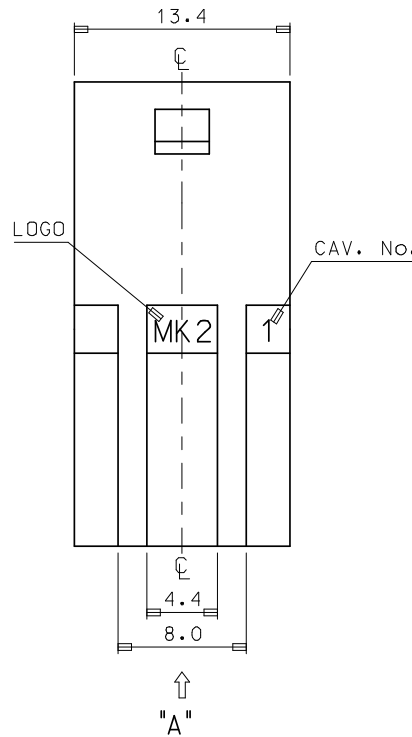
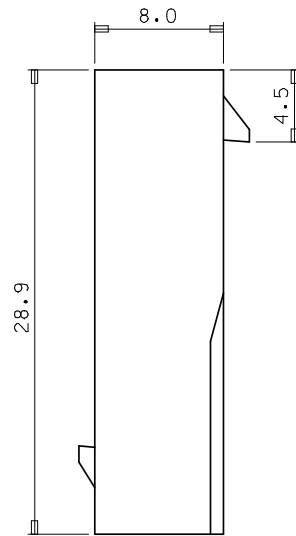
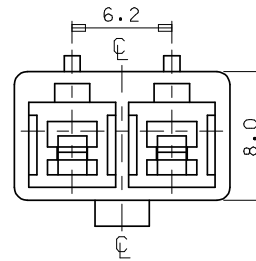
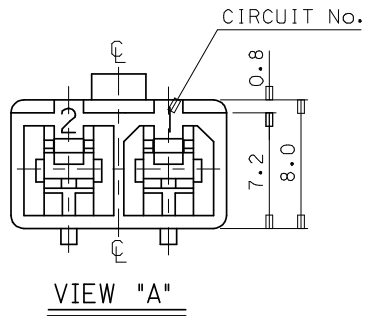
[35150Series](#)

**Mates With**

[35151-021\\*](#) Receptacle Housing

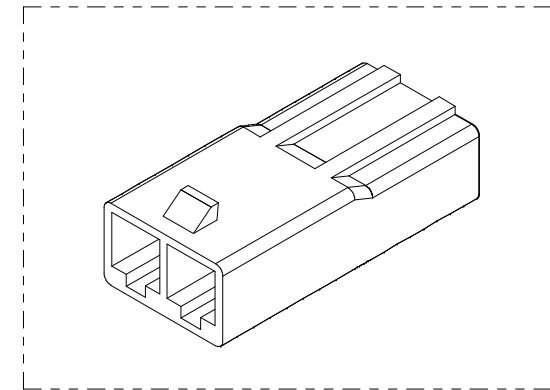
**Use With**

[357450\\*10](#) VersaBlade™ Crimp Terminals



NOTES

1. MATERIAL : SEE TABLE
2. COLOR : SEE TABLE
3. MATCHED HOUSING : 35151-021\*
4. APPLIED TERMINAL : 35745-0\*10



NO	PRODUCT		MATERIAL	
	PART NO	MATERIAL NO	COLOR	DESCRIPTION
1	35150-0200	351500200	NATURAL	PBT (UL94V-0)
2	35150-0202	351500202	RED	
3	35150-0204	351500204	BLUE	
4	35150-0209	351500209	NATURAL	PBT/PC (UL94V-0)
5	35150-2209	351502209	RED	
6	35150-3209	351503209	YELLOW	
7	35150-4209	351504209	BLUE	

REVISED  
EC NO: KOR2008-0048  
DRWN: JHPARK01 2007/09/10  
CHKD: WY. YANG 2007/09/10  
APPR: YUNS IKKIM 2007/09/10

QUALITY SYMBOLS  
▽=0  
▽=0

GENERAL TOLERANCES (UNLESS SPECIFIED)

	mm	INCH
4 PLACES	± ---	± ---
3 PLACES	± ---	± ---
2 PLACES	± ---	± ---
1 PLACE	± 0.2	± ---

ANGULAR ± 1°

DRAFT WHERE APPLICABLE  
MUST REMAIN  
WITHIN DIMENSIONS

DIMENSION STYLE  
MM ONLY

DRAWN BY  
JS.KANG

CHECKED BY

APPROVED BY

MATERIAL NO.  
SEE TABLE

SIZE  
A3

SCALE  
3:1

DESIGN UNITS  
METRIC

THIRD ANGLE PROJECTION

TITLE  
6.2 PITCH W/W CONN  
MALE HOUSING-2P(W/O EAR)

MOLEX INCORPORATED

DOCUMENT NO.  
SD-35150-020\*

SHEET NO.  
1 OF 01

THIS DRAWING CONTAINS INFORMATION THAT IS PROPRIETARY TO MOLEX INCORPORATED AND SHOULD NOT BE USED WITHOUT WRITTEN PERMISSION