

PLEASE CHECK WWW.MOLEX.COM FOR LATEST PART INFORMATION

Part Number: [0351500392](#)
Status: **Active**
Overview: [versablade](#)
Description: 1.78mm (.070") Tab Wire-to-Wire TPA™, 7.30mm (.287") Pitch, 3 Circuits, Red

Documents:

3D Model	Product Specification PS-35524-001 (PDF)
Drawing (PDF)	RoHS Certificate of Compliance (PDF)
Product Specification PS-35150-001 (PDF)	

Agency Certification

CSA	LR19980
TUV	R72090206
UL	E29179

General

Product Family	Accessories
Series	35150
Comments	35150 VersaBlade™ Hybrid Receptacle Housing, 35151
Component Type	Retainer
Overview	versablade
Product Name	VersaBlade™

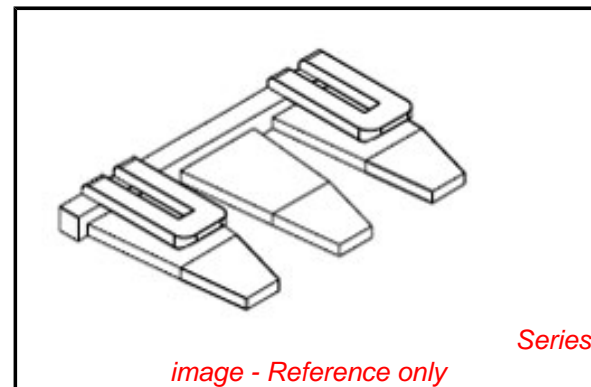
Physical

Circuits (Loaded)	3
Color - Resin	Natural
Flammability	94V-0
Lock to Mating Part	Yes
Material - Resin	Nylon
Number of Rows	1
Packaging Type	Bag
Temperature Range - Operating	-40°C to +120°C

Material Info

Reference - Drawing Numbers

Product Specification	PS-35150-001, PS-35524-001
Sales Drawing	SD-35150-039*



EU RoHS

**ELV and RoHS
Compliant**
**REACH SVHC
Contains SVHC: No**
Halogen-Free

China RoHS



Status

Halogen-Free

**Need more information on product
environmental compliance?**

Email productcompliance@molex.com
 For a multiple part number RoHS Certificate of Compliance, [click here](#)

Please visit the [Contact Us](#) section for any non-product compliance questions.

Search Parts in this Series

[35150Series](#)

Use With

Mandatory TPA™ Clip, [43914-1102](#) ,
[43938-2102](#)

ENG. NO
SD 35150-039*

EDP NO.

SIMILAR ITEM

PROJECT NO.
.070 W/W CONN'

8

7

6

5

4

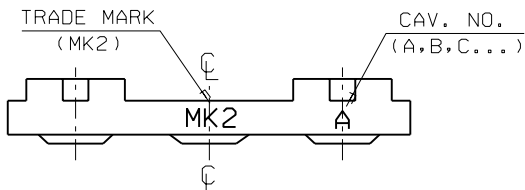
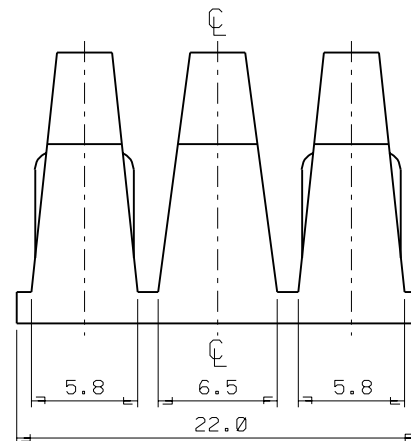
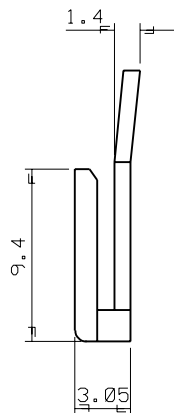
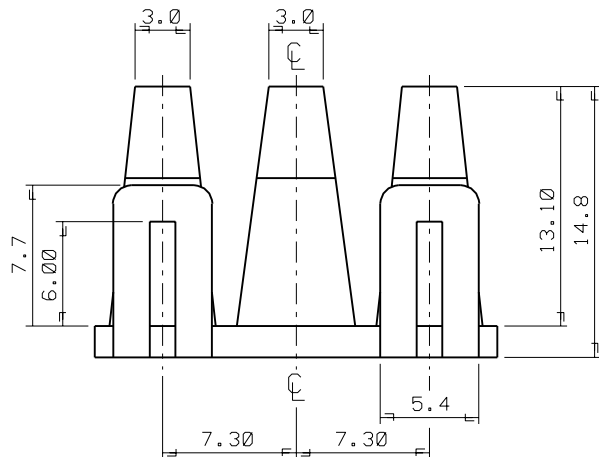
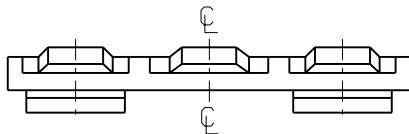
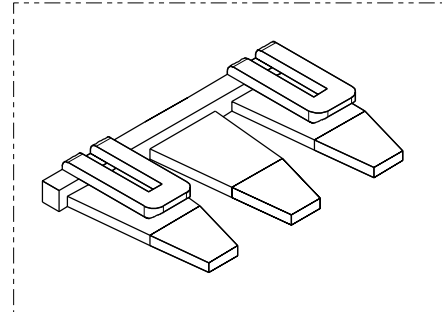
3

2

1

NOTES

1. MATERIAL : NYLON 66 (UL94V-2)
2. COLOR : 35150-0390 (NATURAL)
35150-0392 (RED)
35150-0393 (YELLOW)
35150-0394 (BLUE)
3. MATCHED HOUSING : 35150-030* / Ø31*
35151-031*
35150-060* / Ø61*
35151-061*



				MATERIAL SEE NOTES		molex MOLEX-KOREA CO.,LTD.	
				GENERAL TOLERANCE		DRAWN BY J.S.KANG	
				DIMENSION : ±0.3		CHK'D BY	
				ANGLE : °1:		APP'D BY	
B	REVISED	95-127	95-11-22	DIMENSION CLASSIFICATION		SCALE 4/1	
A	NEW RELEASED		92-9-14	▽: CRITICAL ▼: MAJOR		TITLE:	
				(): REFERENCE		7.3 PITCH W/W CONN'	
LTR	REVISION RECORD	ECN	DATE	ASS'Y PART		SHEET	
				DESCRIPTION/ENG. NO.		1 OF 1	
REVISE ONLY ON CAD SYSTEM				---		ENG. NO.	
						SD 35150-039*	
						REV B	