

PLEASE CHECK WWW.MOLEX.COM FOR LATEST PART INFORMATION

Part Number: [0752341470](#)
Status: **Active**
Overview: [gbx_backplane_connector_system](#)
Description: Backplane Wide Guide Pin Free Standing Use with 1.6mm-5.0mm PC Board Thickness

Documents:

[Drawing \(PDF\)](#) [RoHS Certificate of Compliance \(PDF\)](#)

General

Product Family	Backplane Connectors
Series	75234
Application	Backplane
Application Tooling Documents	Tooling Manual
Component Type	Guide
More Detailed Tech Information	I-Trac@molex.com
Overview	gbx_backplane_connector_system
Product Name	GbX®
Style	N/A

Physical

Circuits (Loaded)	N/A
Circuits (maximum)	0
Durability (mating cycles max)	200
First Mate / Last Break	No
Guide to Mating Part	Yes
Keying to Mating Part	None
Material - Metal	Stainless Steel
Number of Columns	N/A
Number of Pairs	N/A
Number of Rows	0
Orientation	Vertical
PCB Locator	No
PCB Retention	Yes
Packaging Type	Bag
Pitch - Mating Interface (in)	0.000 In
Pitch - Mating Interface (mm)	0.00 mm
Polarized to PCB	N/A
Surface Mount Compatible (SMC)	N/A
Temperature Range - Operating	105°C

Electrical

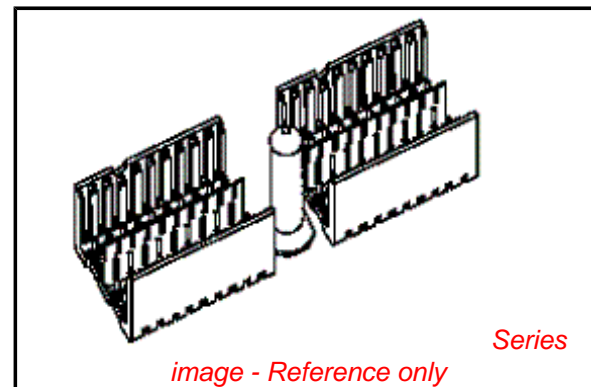
Current - Maximum per Contact	N/A
Data Rate	N/A
Shield Type	N/A
Voltage - Maximum	N/A

Material Info

Reference - Drawing Numbers

Sales Drawing	SD-75234-110
---------------	--------------

GbX is a registered trademark of Amphenol Corporation.



EU RoHS

**ELV and RoHS
Compliant**
REACH SVHC
 Not Reviewed
**Halogen-Free
Status**
 Not Reviewed

China RoHS



**Need more information on product
environmental compliance?**

Email productcompliance@molex.com
 For a multiple part number RoHS Certificate of
 Compliance, [click here](#)

Please visit the [Contact Us](#) section for any
 non-product compliance questions.

Search Parts in this Series

[75234Series](#)

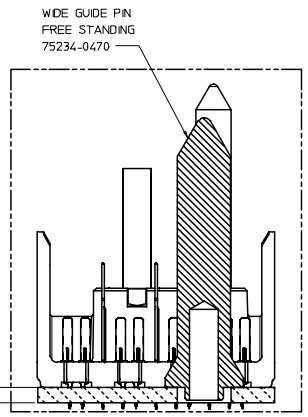
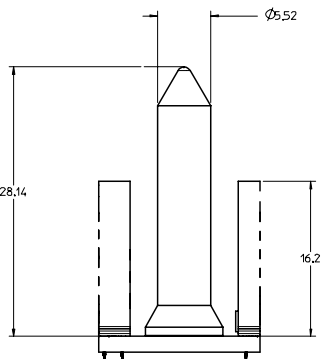
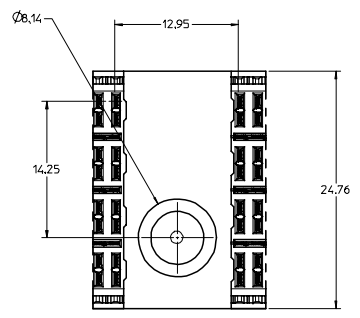
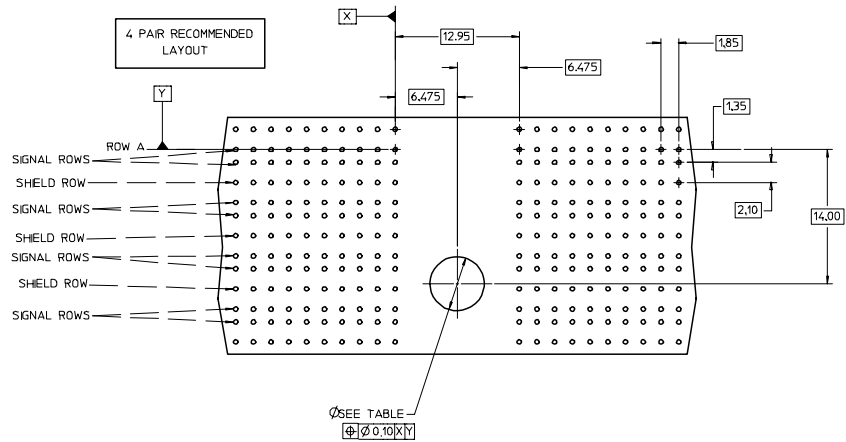
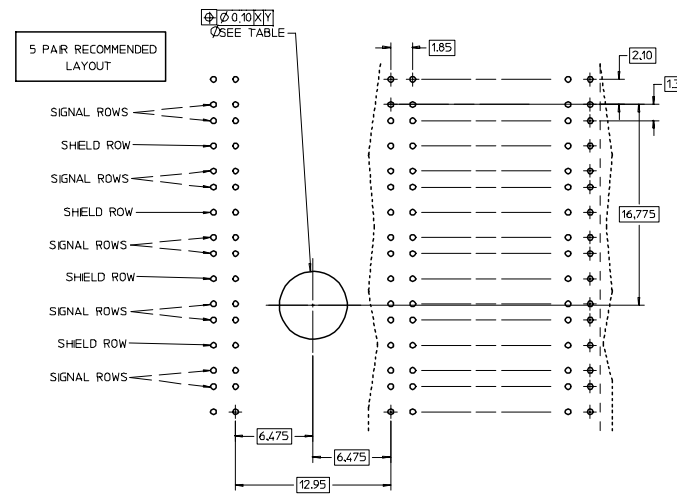
- NOTES:
 1. REFER TO BACKPLANE SALES DRAWINGS FOR ROW AND COLUMN ASSIGNMENTS.
 2. INSTALLATION TORQUE SPECIFICATIONS = 7.8 - 8.5 N-LBS.
 3. PLATED THRU HOLE TO CONNECT TO CHASSIS FOR GROUNDED GUIDE MODULE OPTION.
 4. REFER TO PS-75221-999 FOR GBX PRODUCT SPECIFICATION.

TABLE #1 - HOLE SPECIFICATIONS

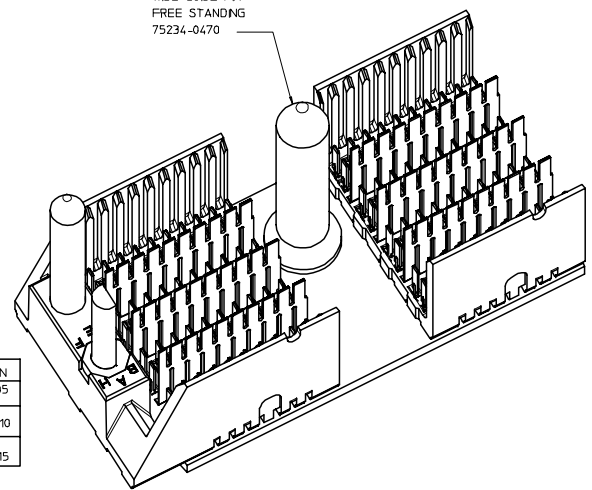
FINISHED HOLE SIZE	GROUND	UNGROUND
	Ø5.58-5.73	Ø5.58-5.73
PAD	Ø 8.5	N/A
PLATED	YES	NO
DRILL (mm)	5.79mm	5.6mm
DRILL (IN)	0.228"	0.221"

TABLE #2 - SCREW SPECIFICATIONS

SCREW P/N	DESCRIPTION	BOARD THICKNESS
73774-3005	#6-32 x 0.375" LONG SQUARE CONICAL MACHINE SCREW	1.6-4.0 mm
73774-3010	#6-32 x 0.500" LONG SQUARE CONICAL MACHINE SCREW	4.0-7.5 mm
73774-3015	#6-32 x 0.625" LONG SQUARE CONICAL MACHINE SCREW	7.5-10.0 mm



KIT P/N	BOARD THICKNESS	GUIDE PIN P/N	SCREW P/N
75234-1470	1.6 - 5.0mm	75234-0470	73774-3005
75234-2470	5.0-8.0 mm	75234-0470	73774-3010
75234-3470	8.0-10.0 mm	75234-0470	73774-3015



MINOR REVISION EC NO: UCP 2007-3972 DRWN: BINGHAM 2007/06/18 CHKD: SREED 2007/06/18 APPR: SREED 2007/06/20 A2 REV DESCRIPTION	QUALITY SYMBOLS	GENERAL TOLERANCES (UNLESS SPECIFIED)	SCALE 4:1	DESIGN UNITS METRIC	THIRD ANGLE PROJECTION	REVISE ON CAD ONLY
	4 PLACES	mm INCH	DIMENSION STYLE MM ONLY	TITLE	GBX BACKPLANE WIDE GUIDE PIN FREE STANDING BOARD LAYOUT DRAWING	
	3 PLACES	± --- ± ---	DRAWN BY NMARTIN	DATE 2004/08/04	MOLEX INCORPORATED	
	2 PLACES	± --- ± ---	CHECKED BY JL AURX	DATE 2004/08/04	MATERIAL NO. SEE CHART	DOCUMENT NO. SD-75234-110
DRAFT WHERE APPLICABLE MUST REMAIN WITHIN DIMENSIONS		APPROVED BY SREED	DATE 2004/08/04	THIS DRAWING CONTAINS INFORMATION THAT IS PROPRIETARY TO MOLEX INCORPORATED AND SHOULD NOT BE USED WITHOUT WRITTEN PERMISSION		