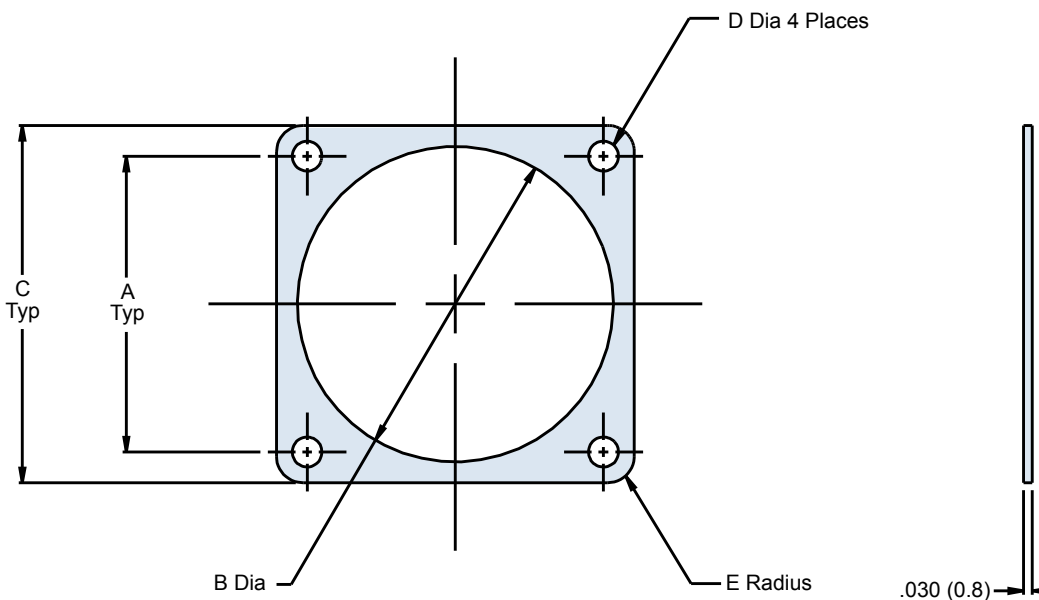
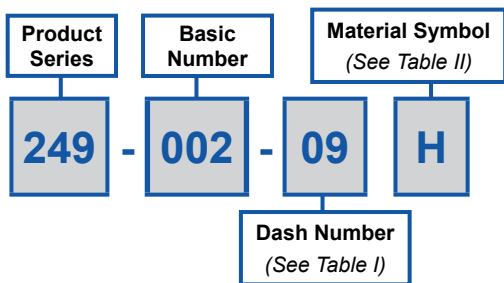




249-002
Conductive Gasket for
Flange Mount Receptacle Connector



NOTES:

1. Identified by bag and tag in suitable quantities.
2. Metric dimensions (mm) are indicated in parentheses.



249-002
Conductive Gasket for
Flange Mount Receptacle Connector



TABLE I

| Dash Number | A ± .005 | Ø B ± .007 | C ± .008 | Ø D ± .005 | E Radius ± .015 |
|--------------------|---------------------|-----------------------|---------------------|-----------------------|----------------------------|
| -09 | .719 | .687 | .937 | .125 | .105 |
| -11 | .812 | .772 | 1.031 | .125 | .105 |
| -13 | .906 | .937 | 1.125 | .125 | .105 |
| -15 | .969 | 1.063 | 1.250 | .125 | .135 |
| -17 | 1.062 | 1.187 | 1.343 | .125 | .135 |
| -19 | 1.156 | 1.312 | 1.467 | .125 | .135 |
| -21 | 1.250 | 1.437 | 1.652 | .125 | .135 |
| -23 | 1.375 | 1.562 | 1.703 | .152 | .135 |
| -25 | 1.500 | 1.600 | 1.812 | .152 | .135 |

TABLE II

| Designator | Material |
|-------------------|---|
| C | Flourosilicone Binder with Passivated Silver Plated Aluminum Particles (CHO-Seal in 1298 or Equivalent) |
| H | Silicone Binder with Silver Plated Copper Particles (CHO-Seal 1215 or Equivalent) |