

isc Silicon NPN Darlington Power Transistor

2SD1248

DESCRIPTION

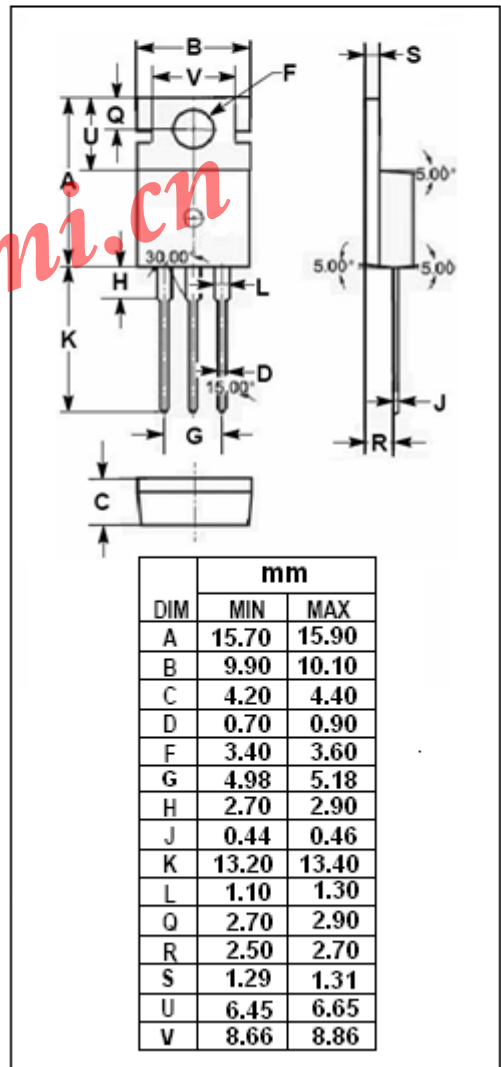
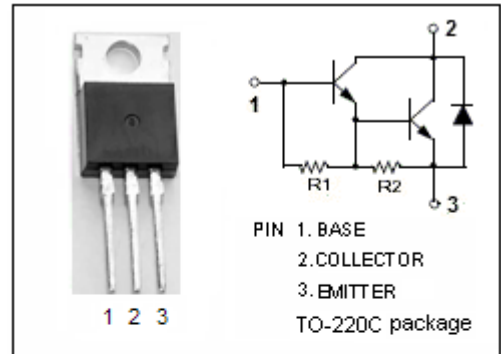
- Collector-Emitter Breakdown Voltage-
: $V_{(BR)CEO} = 120V(\text{Min})$
- High DC Current Gain
: $h_{FE} = 1000(\text{Min}) @ I_C = 4A$
- Low Collector Saturation Voltage

APPLICATIONS

- Designed for low frequency power amplifiers applications.

ABSOLUTE MAXIMUM RATINGS($T_a = 25^\circ\text{C}$)

SYMBOL	PARAMETER	VALUE	UNIT
V_{CBO}	Collector-Base Voltage	120	V
V_{CEO}	Collector-Emitter Voltage	120	V
V_{EBO}	Emitter-Base Voltage	7	V
I_C	Collector Current-Continuous	8	A
I_{CP}	Collector Current-Peak	12	A
P_C	Collector Power Dissipation @ $T_C = 25^\circ\text{C}$	40	W
T_J	Junction Temperature	150	$^\circ\text{C}$
T_{stg}	Storage Temperature Range	-55~150	$^\circ\text{C}$



isc Silicon NPN Darlington Power Transistor**2SD1248****ELECTRICAL CHARACTERISTICS** $T_C=25^{\circ}\text{C}$ unless otherwise specified

SYMBOL	PARAMETER	CONDITIONS	MIN	TYP.	MAX	UNIT
$V_{(BR)CEO}$	Collector-Emitter Breakdown Voltage	$I_C=25\text{mA}; R_{BE}=\infty$	120			V
$V_{(BR)EBO}$	Emitter -Base Breakdown Voltage	$I_E=100\text{mA}; I_C=0$	7			V
$V_{CE(sat)-1}$	Collector-Emitter Saturation Voltage	$I_C=4\text{A}; I_B=8\text{mA}$			1.5	V
$V_{CE(sat)-2}$	Collector-Emitter Saturation Voltage	$I_C=8\text{A}; I_B=80\text{mA}$			3.0	V
$V_{BE(sat)-1}$	Base-Emitter Saturation Voltage	$I_C=4\text{A}; I_B=8\text{mA}$			2.0	V
$V_{BE(sat)-2}$	Base-Emitter Saturation Voltage	$I_C=8\text{A}; I_B=80\text{mA}$			3.5	V
I_{CBO}	Collector Cutoff Current	$V_{CB}=120\text{V}; I_E=0$			100	μA
I_{CEO}	Collector Cutoff Current	$V_{CE}=100\text{V}; R_{BE}=\infty$			10	μA
h_{FE}	DC Current Gain	$I_C=4\text{A}; V_{CE}=3\text{V}$	1000		20000	
V_{ECF}	C-E Diode Forward Voltage	$I_F=8\text{A}$			3.0	V